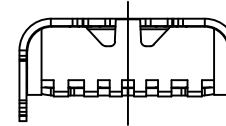
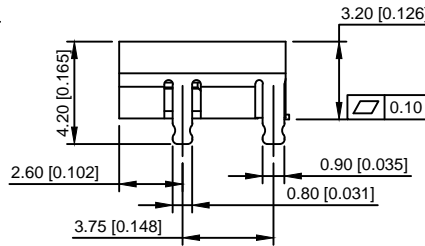
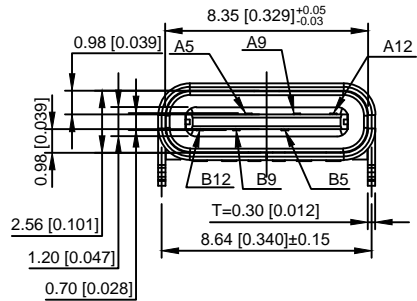
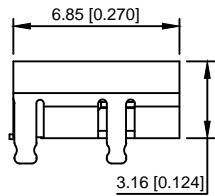
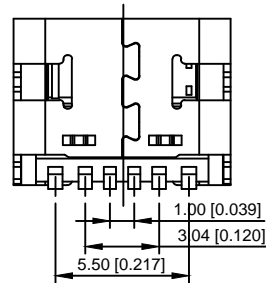


RECOMMENDED P.C.B LAYOUT
TOLERANCE UNSPECIFIED ±0.05mm



U262-06XN-4BVC11

1:0.8u"
2:5u"
3:10u"



B12	GND
B9	VBUS
B5	CC2
A5	CC1
A9	VBUS
A12	GND
PIN	SIGNAL NAME

NOTES:

- MATERIAL:
MOLDING: LCP UL94V-0
CONTACT: COPPER ALLOY.
- Finished: contact area: plating Au 0.8u", solder tail: plating Au 0.8u", all plating Ni 40u" SHELL: SUS201-1/2HT=0.30+0.03mm 50U' NICKEL PLATING OVER ALL.
- MECHANICAL:
INSERTION: 5~20N.
EXTRACTION: 8~20N AFTER TEST.
DURABILITY: 8000 CYCLES
- ELECTRICAL:
CURRENT: 5A FOR VBUS:
1.25A FOR GND PIN
0.25A FOR OTHER
VOLTAGE: 20 V MAX
WITHSTANDING VOLTAGE: 100V AC R.M.S.
CONTACT RESISTANCE: 40mΩ MAX.
INSULATION RESISTANCE: 100MΩ MIN.
- ENVIRONMENTAL
TEMPERATURE RANGE -25 ~+85

DSND		DATE		SCALE: N/A	MODEL TYPE: 3.1 TYPE C
DWN		DATE		VIEW:	PART NO.:
CHKD		DATE		UNIT: mm/in	DWG NO.: U262-06XN-4BVC11
APPD		DATE		SIZE: A4	WEIGHT 1.0g
				XKB INDUSTRIAL PRECISION CO.,LIMITED	SHEET 1/1
					REVISION A0

					ANGULAR	±5°
ΔX					L ≤ 4	±0.2
ΔX					4 < L ≤ 16	±0.3
ΔX					16 < L ≤ 63	±0.4
MARK	DESCRIPTION	DATE	REVISED	APPROVED	L > 63	±0.5
REVISIONS						UNSPECIFIED TOLERANCES
www.xk-dg.cn www.helloxkb.com www.helloxkb.cn						