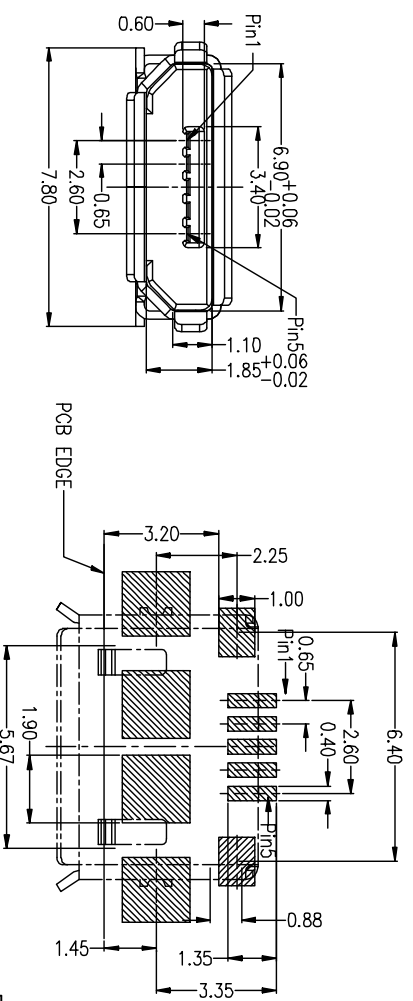
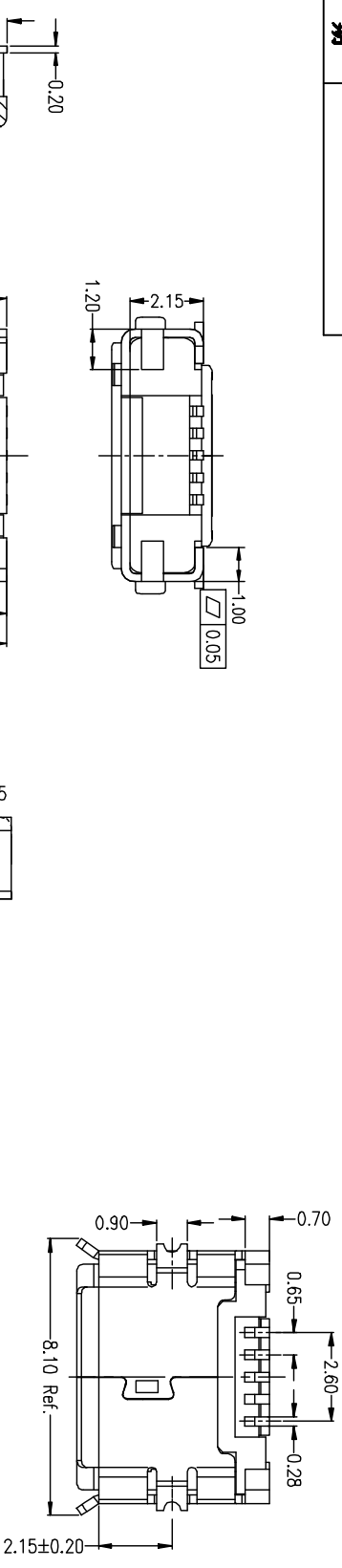


客户确认
日期



Note:

1. Material:

- 1.1 Housing: High temperature thermoplastic with g.f. UL94V-0
- 1.2 Contact: copper alloy, t=0.20mm
- 1.3 Shell: copper or sus304, t=0.25mm

2. Specification:

- 2.1 Current rating: 1 A Max.
- 2.2 Dielectric withstanding voltage: 100 V(ac) for 1 min.
- 2.3 Contact resistance: 50 MΩ Max.
- 2.4 Insulation resistance: 100 MΩ Min.
- 2.5 Total mating force: 3.57 Kgf Max.
- 2.6 Total unmating force: 1.0 Kgf Min
- 2.7 Temperature range: -30°C~80°C

PCB图仅供参考
ERCOMMENDED PCB LAYOUT

APPROVED: DATE: TITLE: 深圳市灿科盟实业有限公司
C kintw CHANKEMENG INDUSTRY CO., LTD

CHECKED: DATE: TITLE: Micro usb 5P 型 SMT全贴 无柱 卷边 铜壳

TOLERANCE TABLE

.0	±0.30
.00	±0.20
.000	±0.05

DRAWN: SYA DATE: 2019-05-21

CLIENT P/N: U-MICROM5P-BF10
UNIT: mm SCALE: Free
FILE NO: / REV: A