

Operation: DIP 2.0Type-C 连接器 & 16PIN 短体 沉板式



LTEM NO.:MC-314C-4P16

(L6.5mm×W11.60mm×H3.20mm Type-C CONNECTORS)



Technical parameter

沉板贴片 SMT

側向導入 LATERAL

精密部品 NICETY

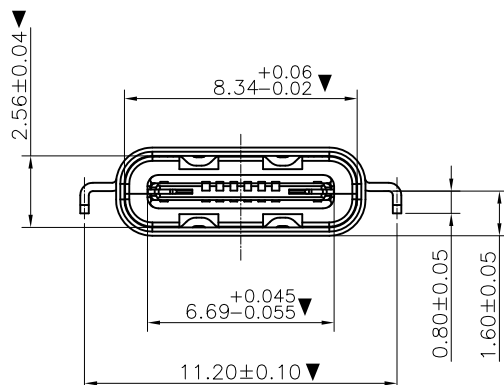
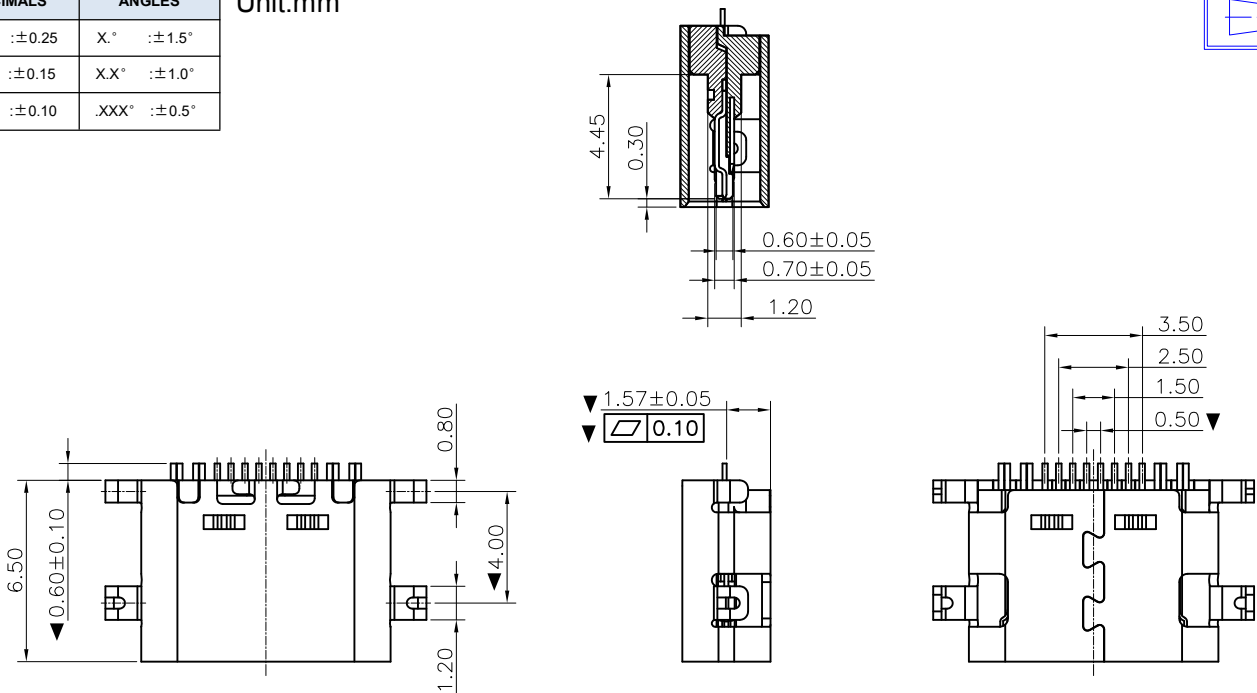
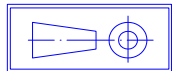
可靠 STABILIZE

適合環保 RoHS

PROJECT	LEVEL	A[better product]	B[average product]
Electrical Properties	Contact Rating	5.0A, 20V DC	
	Initial Contact Resistance	30mΩ max.	50mΩ max.
	Insulation Resistance	100MΩ min.500V DC	100MΩ min.300V DC
	Withstand Voltage	500V AC for 1 minute	350 V AC for 1 minut
Durable Performance	There No Load	10,000 Cycles	8,000 Cycles
	Rated Load	8,500 Cycles	6,500 Cycles
Storage temp.		-30℃~+75℃(Operating Temp:)	

DECIMALS	ANGLES
.X :±0.25	X.° :±1.5°
.XX :±0.15	X.X° :±1.0°
.XXX :±0.10	X.XX° :±0.5°

Unit:mm



Material declaration			
No.	NAME	Type	Description
①	SHELL	1	Stainless Steel,(Gold Flash)
②	HOUSING	1	THERMOPLASTIC(glass fiber filled)BK
③	CONTACT	14	BRASS(t=0.12mm)
④	METAL COVER	1	STAINLESS STEEL(t=0.30mm)
⑤	LOCK PIN	2	STAINLESS STEEL(t=0.20mm)

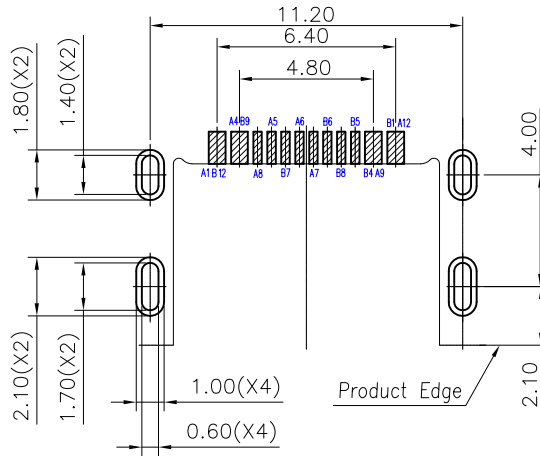
Operating Force

Inward
Exiting

5.0~8.0N. (1N.=100gram-force)
5.0~8.0N. (1N.=100gram-force)

Solder-ability (Max.)

IR Reflow: 255°C, 5sec. Manual: 350°C, 3sec.



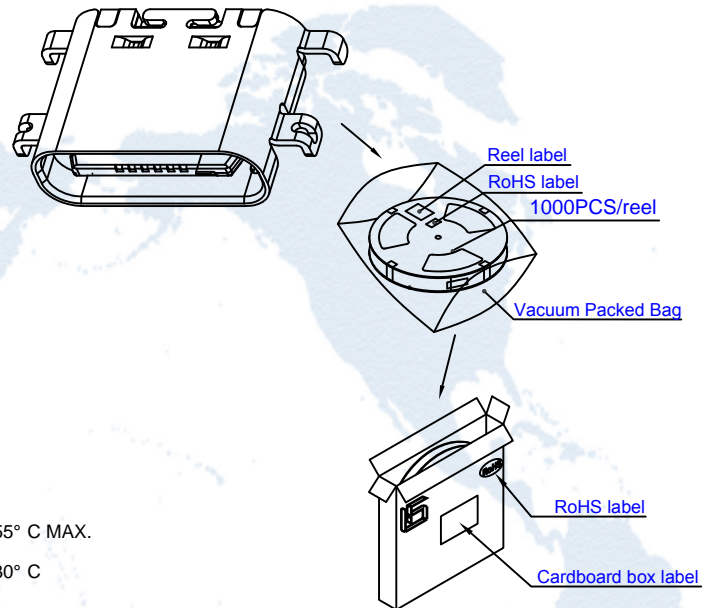
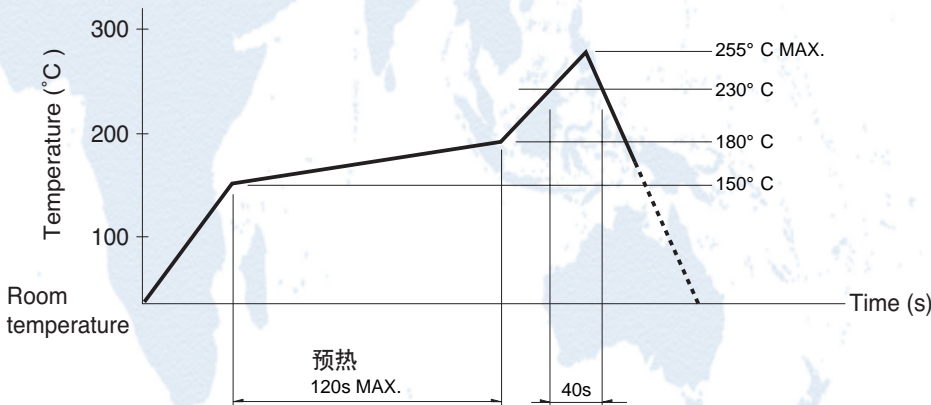
RECOMMENDED P.C.B. LAYOUT
TOLERANCE UNSPECIFIED ±0.05mm

Pin Definition

PIN	Signal NAME	PIN	Signal NAME
A 1	GND	B12	GND
A 4	V BUS	B 9	V BUS
A 5	CC1	B8	SBU2
A 6	Dp1	B 7	Dn2
A 7	Dn1	B 6	Dp2
A8	SBU1	B 5	CC2
A 9	V BUS	B 4	V BUS
A12	GND	B 1	GND

回流方式的参考举例

1. 加热方式远红外线加热的上下加热方式。
2. 温度测量方式用 V0.1 ~ V0.2 的 CA(K) 或 CC(T) 进行测量。
3. 温度分布



本品不屬於危害性廢棄物,須丟棄時可以委託回收商予以回收再生處理。
Products do not belong to •

運送時本產品不要直接與水、酸鹼性化學物質接觸,或放置於含有以上氣體環境中,並且需要注意會有滑落、側翻的危險發生; 運輸過程中不能有碰撞或者擠壓,須保證溫度與濕度適中 [常溫 25°C, 濕度在 50°C 以內], 不可導致材料變形或氧化。

注記 NOTICE

1. 碩方公司擁有最終解釋權; The company reserves the right of final interpretation;
2. 文件禁止外洩、轉載; Leaked and reproduced prohibited;
3. 未經授權修改無效。Modify is invalid.