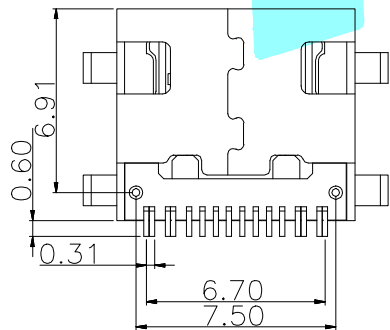
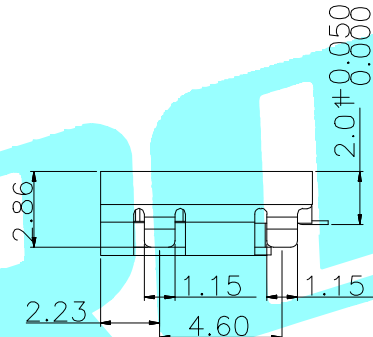
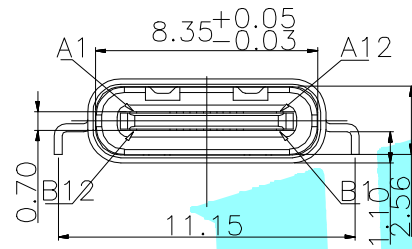


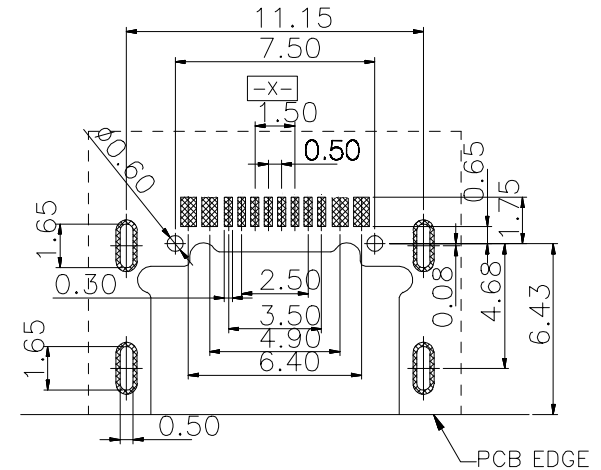
NOTES:

1.Specifications

- 1-1.INSERT FORCE:35N MAX.
- 1-2.WITHDRAW FORCE:10N MIN.INITIAL 8-20N AFTER
- 1-3.Current rating:1.0A
- 1-4.Voltage Rating:30V
- 1-5.Life Test:10000 CYCLES MIN.
- 1-6.:Dielectric withstanding:voltage100V AC MIN.
- 1-7.Contact resistance:30mΩ MAX.INITIAL;40mΩ MAX AFTER
- 1-8.Insulation resistance:100MΩ MIN
- 1-9.Temperature range:-30°TO +80°



A1	GND	B12	GND
A4	VBUS	B9	VBUS
A5	CC1	B8	SBU2
A6	DP1	B7	DN2
A7	DN1	B6	DP2
A8	SBU1	B5	CC2
A9	VBUS	B4	VBUS
A12	GND	B1	GND
PIN	SIGNAL NAME	PIN	SIGNAL NAME



APPROVALS		DATE	HRO 華榮 ELECTRONICS CO.,LTD		
DRAWN	D.J.LV	2017/12/26	TITLE:	TYPE C16pin沉板1.1MM	
CHECKED			PART NO.	TYPE-C-31-M-14	
APPROVALS			TOLERANCES ARE	ANGLE	UNIT: mm
			30~50 ±0.30	±2'	SCALE: 1:1
			10~30 ±0.20		PROJ:
			5~10 ±0.15		DRAWING NO.
			~ 5 ±0.10		SHEET 1 OF 1

ECN NO.	REV.	DATE.	DESCRIPTION.	CHANGE.	CHECK.	APPRO.
	A		NEW			