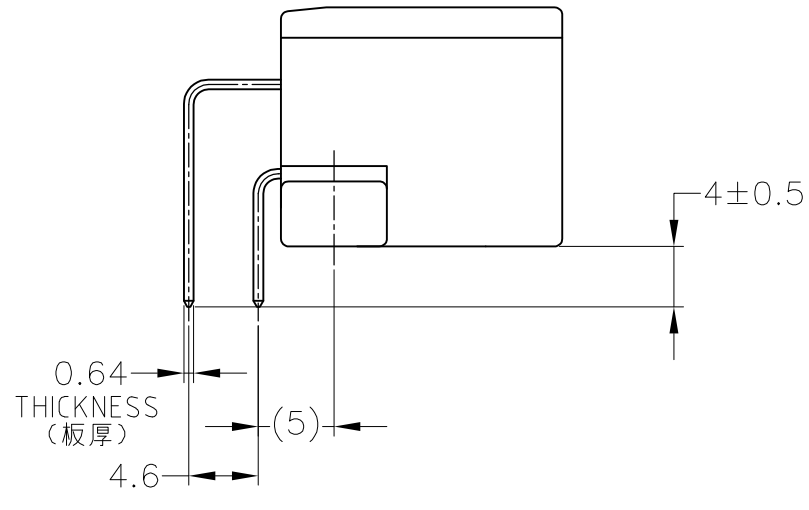
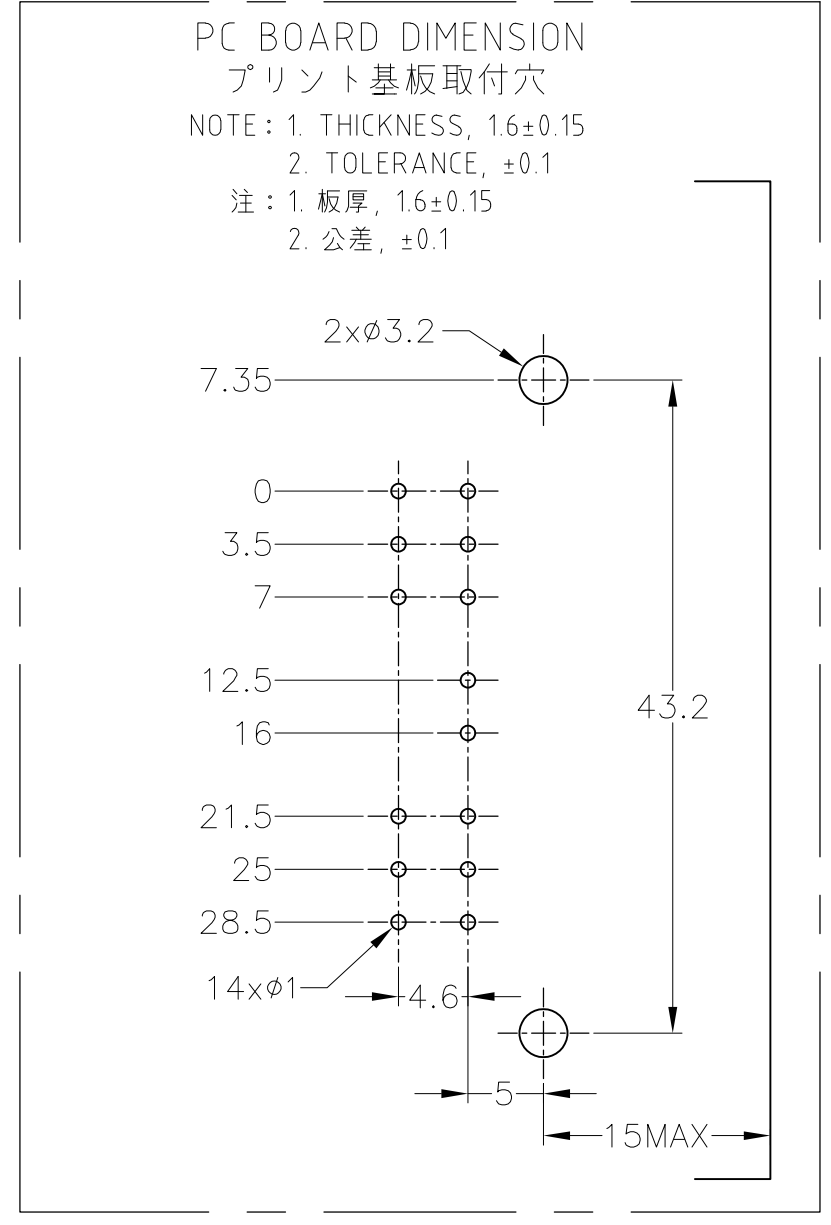
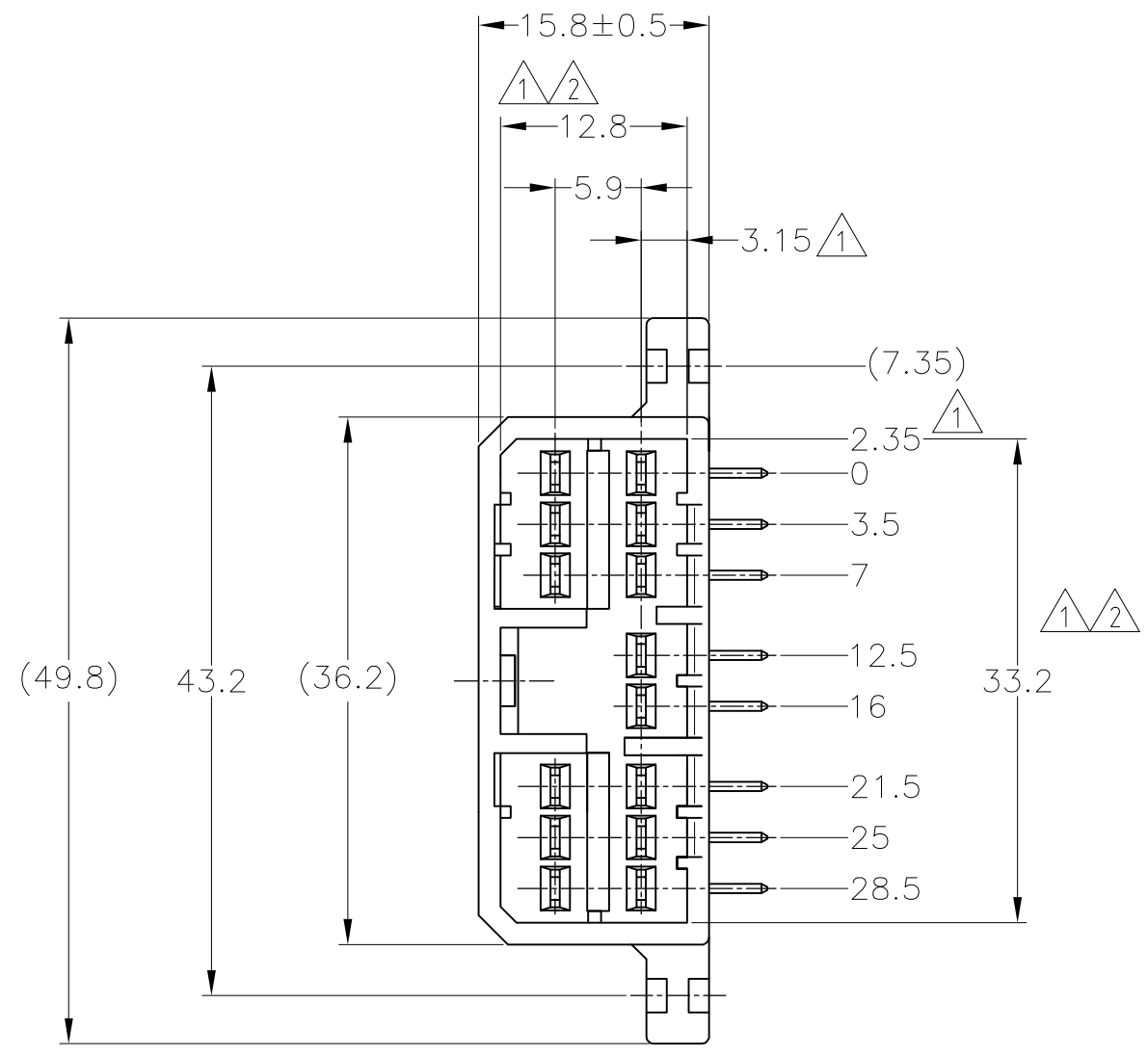
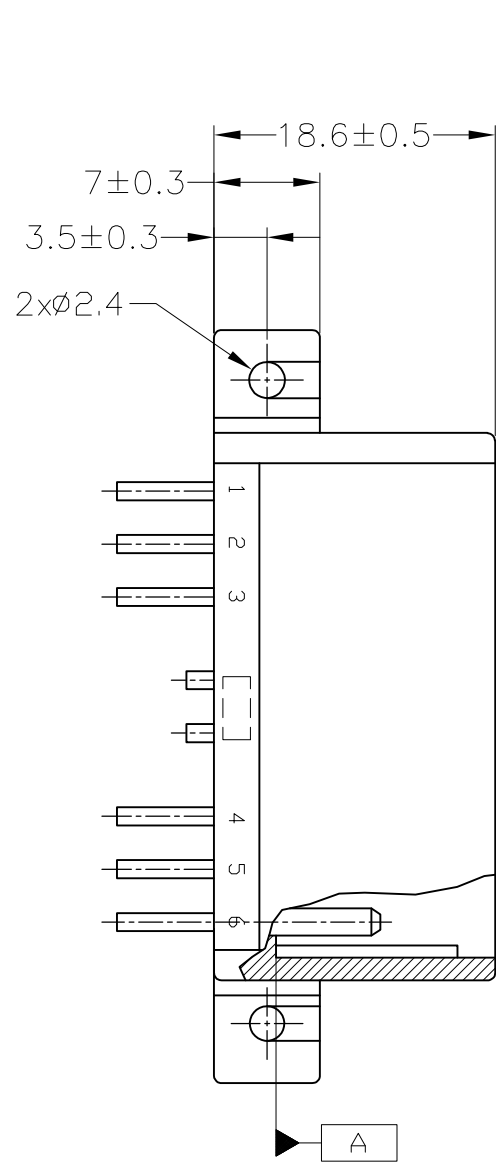


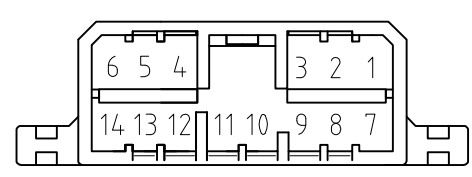
THIS DRAWING IS UNPUBLISHED. RELEASED FOR PUBLICATION
 © COPYRIGHT 2016 By Tyco Electronics Japan G.K. ALL RIGHTS RESERVED.

REVISIONS					
P	LTR	DESCRIPTION	DATE	DWN	APVD
J4		OBSOLETE 2--1,2--4 ECR-16-003088	16AUG16	KF	HY



- △ A 面より2mmの範囲で測定。
- △ 相手ハウジングと所定の機能を満足して嵌合できること。
- 3. プリント基板への取付は、JIS B1115又は1122, M3×6ナブ（2種又は4種）のタッピンネジで締付けた後ハンダ付する。（締付けトルク4kg-cm以下）
- △ 回路番号：下図参照のこと。

- △ TO BE MEASURED BETWEEN [A] AND 2.
- △ TO BE MATE WITH PLUG HSG SMOOTHLY.
- 3. TO BE USE M3 TAPPING SCREW JIS B1115 OR 1122 (TYPE 2 OR 4) BEFORE SOLDER.
- △ CIRCUIT NUMBER.



TOLERANCES UNLESS OTHERWISE SPECIFIED:
 一般公差

10 ₂	±0.2
30 ₂	>10 : ±0.25
100 ₂	>30 : ±0.3
	ANGLE : ±3°

HB	SELECTIVE-TIN (MATTE)	SELECTIVE GOLD × 14	1~14 (全極)	-	GREEN 緑色	2-5173860-4	
HB	SELECTIVE-TIN (MATTE)	SELECTIVE GOLD × 14	1~14 (全極)	-	NATURAL 自然色	2-5173860-1	
V-2	PRE-TIN × 14		-	1~14 (全極)	NATURAL 自然色	9-173860-1	
HB	SELECTIVE-TIN	PRE-TIN × 14	-	1~14 (全極)	NATURAL 自然色	7-173860-1	
HB	SELECTIVE-TIN	PRE-TIN × 14	-	1~14 (全極)	GREEN 緑色	3-173860-1	
OBSOLETE	HB	TIN-LEAD	SELECTIVE GOLD × 14	1~14 (全極)	GREEN 緑色	2-173860-4	
OBSOLETE	HB	TIN-LEAD	SELECTIVE GOLD × 14	1~14 (全極)	NATURAL 自然色	2-173860-1	
HB	PRE-TIN × 14		-	1~14 (全極)	BLUE 青色	173860-5	
HB	PRE-TIN × 14		-	1~14 (全極)	GRAY 灰色	173860-6	
HB	PRE-TIN × 14		-	1~14 (全極)	GREEN 緑色	173860-4	
HB	PRE-TIN × 14		-	1~14 (全極)	NATURAL 自然色	173860-1	
USED MATERIAL		SOLDERING SIDE 半田付け面	CONTACT SIDE 接触部側	GOLD PLATED CIRCUIT NO. 金めっき回路番号	PRE-TIN CIRCUIT NO. 鉛めっき回路番号	COLOR 色	PART NUMBER 製品型番
FLAMMABILITY		CONTACT FINISH コンタクト仕上					

THIS DRAWING IS A CONTROLLED DOCUMENT.

DWN S.FUJITA 10DEC08		070 SERIES MULTI-LOCK I/O CONNECTOR 14POSITION CAP HOUSING ASSEMBLY (H-TYPE)		
CHK K.BETSUI 10DEC08				
APVD K.BETSUI 10DEC08				
PRODUCT SPEC 製品規格 108-5216				
APPLICATION SPEC 取付適用規格	SIZE A2	CAGE CODE 00779	DRAWING NO. 番号 C=173860	RESTRICTED TO
MATERIAL 材料 HOUSING: PBT CONTACT: BRASS	WEIGHT 8.0 g	CUSTOMER DRAWING		SCALE 2:1 SHEET 1 OF 1 REV J4

Mouser Electronics

Authorized Distributor

Click to View Pricing, Inventory, Delivery & Lifecycle Information:

[TE Connectivity:](#)

[173860-1](#)