

SOT-323 Plastic-Encapsulate Transistors

MMST3906 TRANSISTOR (PNP)

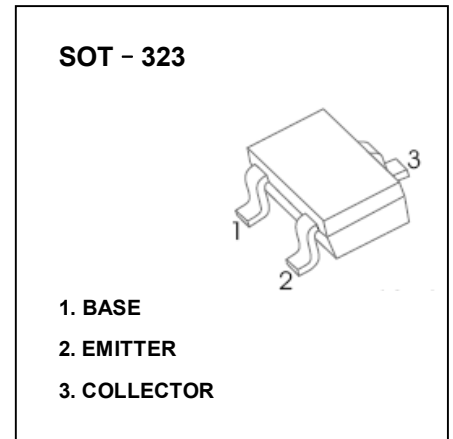
FEATURES

- Complementary to MMST3904

MARKING:K5N

MAXIMUM RATINGS (T_a=25°C unless otherwise noted)

Symbol	Parameter	Value	Unit
V _{CBO}	Collector-Base Voltage	-40	V
V _{CEO}	Collector-Emitter Voltage	-40	V
V _{EBO}	Emitter-Base Voltage	-5	V
I _C	Collector Current	-200	mA
P _C	Collector Power Dissipation	200	mW
R _{θJA}	Thermal Resistance From Junction To Ambient	625	°C/W
T _J , T _{stg}	Operation Junction and Storage Temperature Range	-55~+150	°C

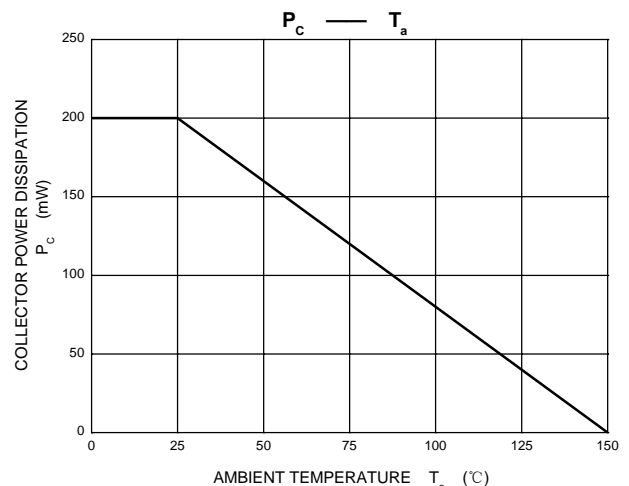
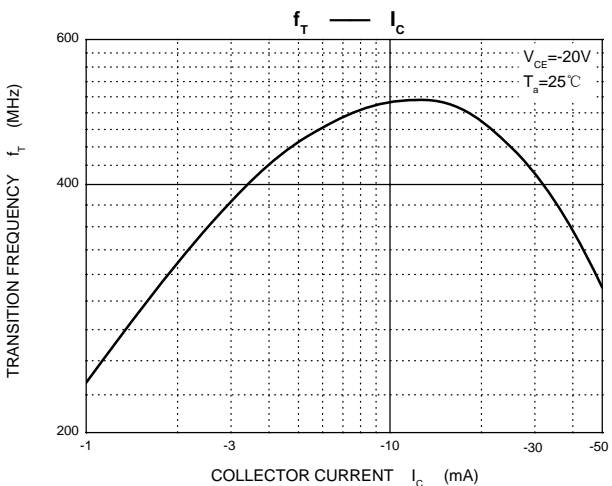
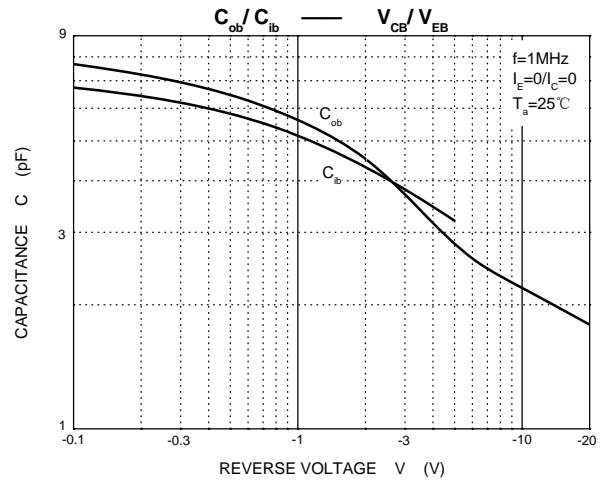
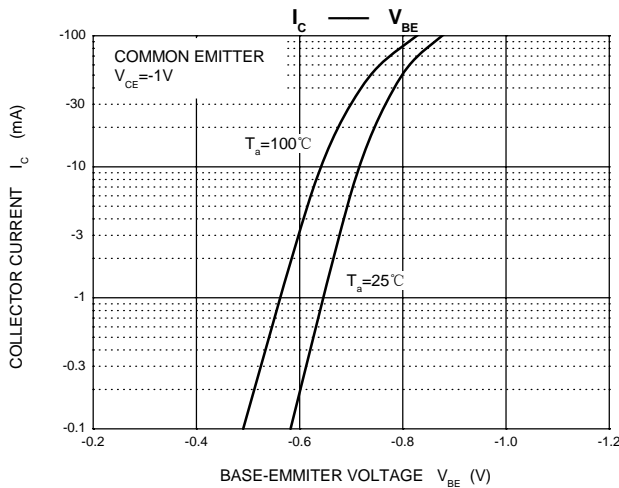
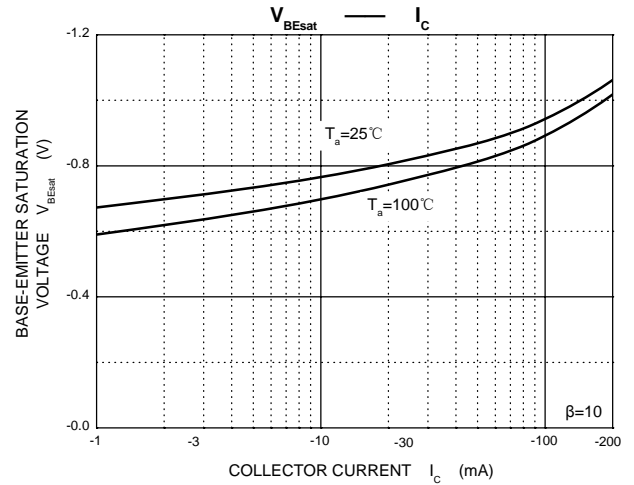
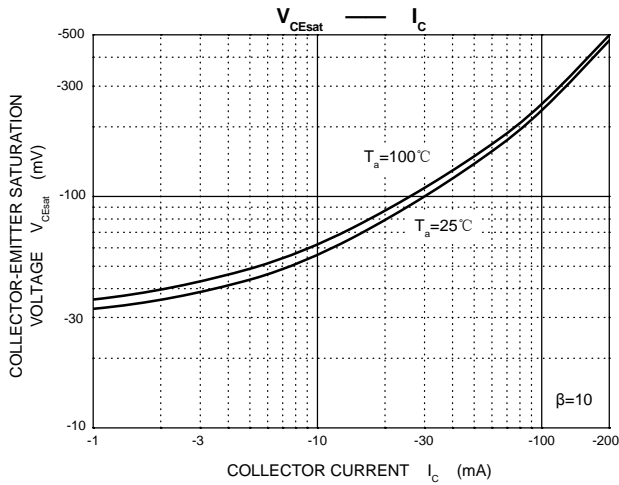
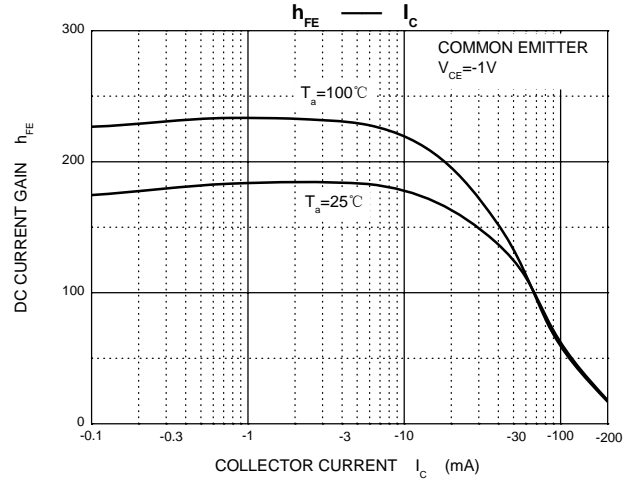
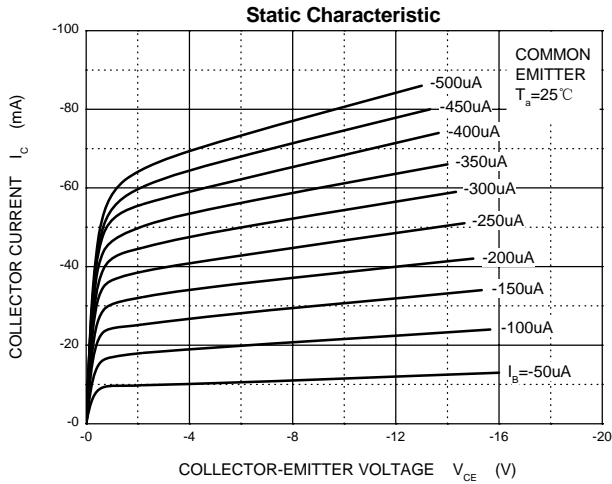


ELECTRICAL CHARACTERISTICS (T_a=25°C unless otherwise specified)

Parameter	Symbol	Test conditions	Min	Typ	Max	Unit
Collector-base breakdown voltage	V _{(BR)CBO} *	I _C =-10μA, I _E =0	-40			V
Collector-emitter breakdown voltage	V _{(BR)CEO} *	I _C =-1mA, I _B =0	-40			V
Emitter-base breakdown voltage	V _{(BR)EBO} *	I _E =-10μA, I _C =0	-5			V
Base cut-off current	I _{BL} *	V _{CE} =-30V, V _{EB(off)} =-3V			-50	nA
Collector cut-off current	I _{CEX} *	V _{CE} =-30V, V _{EB(off)} =-3V			-50	nA
DC current gain	h _{FE} *	V _{CE} =-1V, I _C =-100μA	60			
		V _{CE} =-1V, I _C =-1mA	80			
		V _{CE} =-1V, I _C =-10mA	100		300	
Collector-emitter saturation voltage	V _{CE(sat)} *	I _C =-10mA, I _B =-1mA			-0.2	V
		I _C =-50mA, I _B =-5mA			-0.3	V
Base-emitter saturation voltage	V _{BE(sat)} *	I _C =-10mA, I _B =-1mA	-0.65		-0.85	V
		I _C =-50mA, I _B =-5mA			-0.95	V
Transition frequency	f _T	V _{CE} =-20V, I _C =-10mA, f=100MHz	250			MHz
Collector output capacitance	C _{ob}	V _{CB} =-5V, I _E =0, f=1MHz			4.5	pF
Collector output capacitance	C _{ib}	V _{EB} =-0.5V, I _E =0, f=1MHz			10	pF
Delay time	t _d	V _{CC} =-3V, V _{BE(off)} =-0.5V, I _C =-10mA,			35	ns
Rise time	t _r	I _{B1} =-1mA			35	ns
Storage time	t _s	V _{CC} =3V, I _C =-10mA, I _{B1} = I _{B2} =-1mA			225	ns
Fall time	t _f				75	ns

*Pulse test: pulse width ≤300μs, duty cycles ≤ 2.0%.

Typical Characteristics



SOT-323 Package Outline Dimensions



Symbol	Dimensions In Millimeters		Dimensions In Inches	
	Min	Max	Min	Max
A	0.900	1.100	0.035	0.043
A1	0.000	0.100	0.000	0.004
A2	0.900	1.000	0.035	0.039
b	0.200	0.400	0.008	0.016
c	0.080	0.150	0.003	0.006
D	2.000	2.200	0.079	0.087
E	1.150	1.350	0.045	0.053
E1	2.150	2.450	0.085	0.096
e	0.650 TYP		0.026 TYP	
e1	1.200	1.400	0.047	0.055
L	0.525 REF		0.021 REF	
L1	0.260	0.460	0.010	0.018
θ	0°	8°	0°	8°

SOT-323 Suggested Pad Layout



Note:

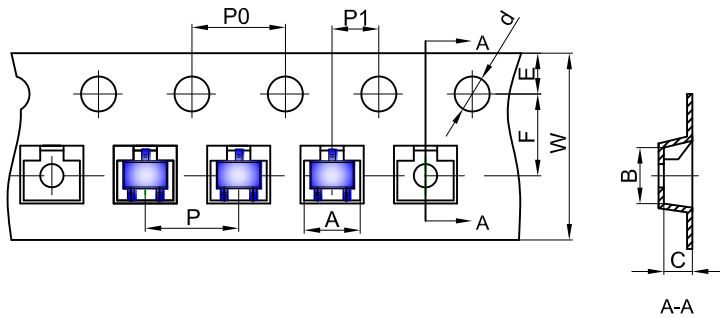
1. Controlling dimension: in millimeters.
2. General tolerance: ± 0.05 mm.
3. The pad layout is for reference purposes only.

NOTICE

JSCJ reserves the right to make modifications, enhancements, improvements, corrections or other changes without further notice to any product herein. JSCJ does not assume any liability arising out of the application or use of any product described herein.

SOT-323 Tape and Reel

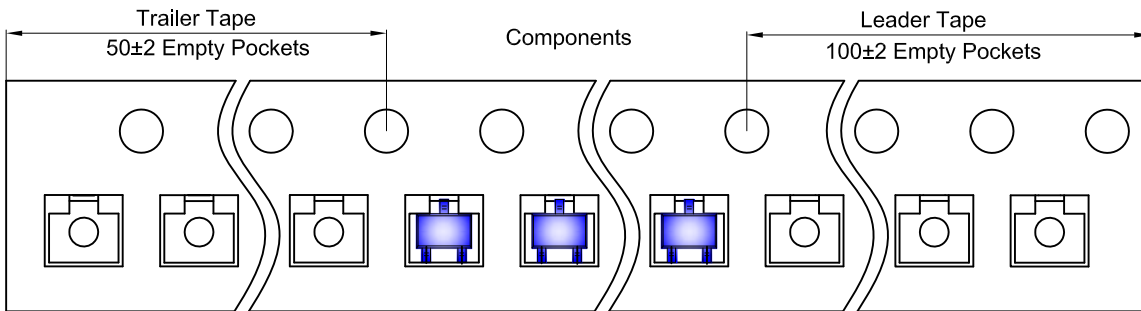
SOT-323 Embossed Carrier Tape



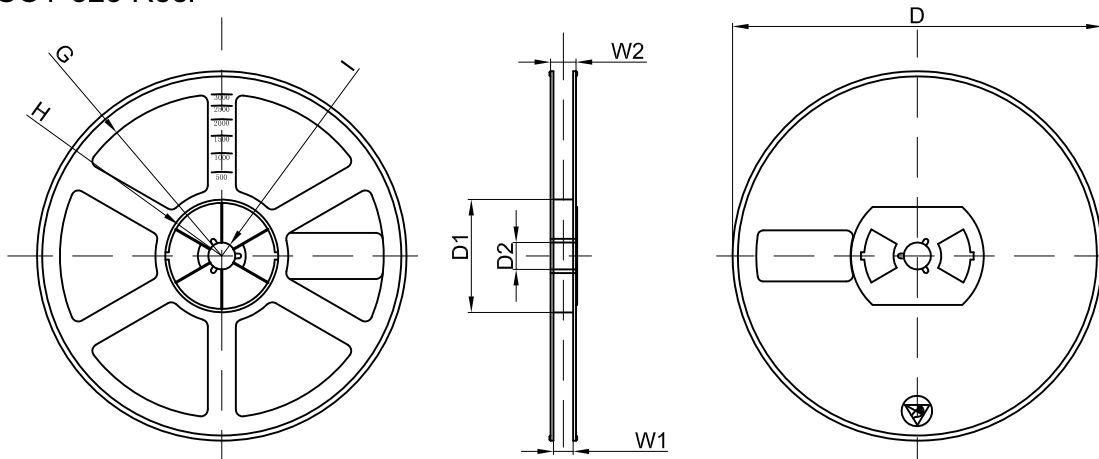
Packaging Description:
 SOT-323 parts are shipped in tape. The carrier tape is made from a dissipative (carbon filled) polycarbonate resin. The cover tape is a multilayer film (Heat Activated Adhesive in nature) primarily composed of polyester film, adhesive layer, sealant, and anti-static sprayed agent. These reeled parts in standard option are shipped with 3,000 units per 7" or 17.8cm diameter reel. The reels are clear in color and is made of polystyrene plastic (anti-static coated).

Dimensions are in millimeter										
Pkg type	A	B	C	d	E	F	P0	P	P1	W
SOT-323	2.25	2.55	1.19	Ø1.55	1.75	3.50	4.00	4.00	2.00	8.00

SOT-323 Tape Leader and Trailer



SOT-323 Reel



Dimensions are in millimeter								
Reel Option	D	D1	D2	G	H	I	W1	W2
7" Dia	Ø178.00	54.40	13.00	R78.00	R25.60	R6.50	9.50	12.30

REEL	Reel Size	Box	Box Size(mm)	Carton	Carton Size(mm)	G.W.(kg)
3000 pcs	7 inch	45,000 pcs	203×203×195	180,000 pcs	438×438×220	