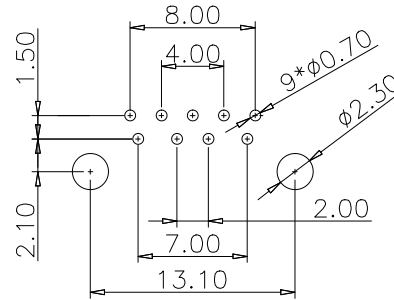



Scrolls (S)



P C B

		new		2015/5/3	A			
ECN BO.		DESCRIPTION.		DATE.	REV.			
DESIGNED	CHECKED	APPROVAL	DRAWING NUMBER	SCALT: 1/2		SCALE: 3:1		
Mikey	Tom	Jerry	PART NAME	U231-091N-4BLRC19-F	UNLESS OTHERWISE SPECIFIED, TOLERANCE:		X	±0.25
			MODEL NAME	U231-091N-4BLRC19-F			X.x	±0.20
			3RD ANGLE PROJ	HANYONES TECH CO.,LTD			X.xx	±0.15
						ANGULAR	±3'	
						FILE. NO.		