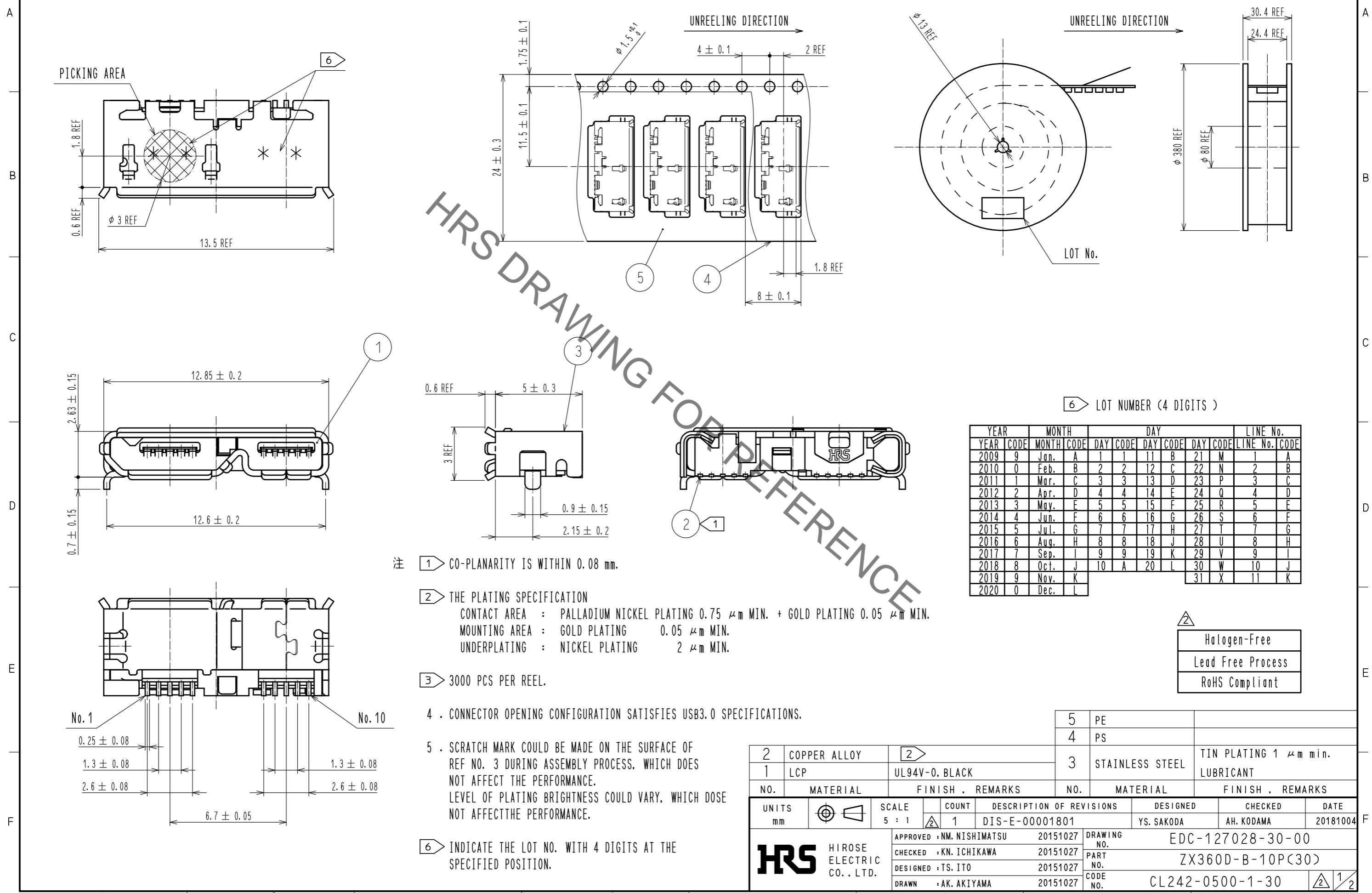


Jan.1.2022 Copyright 2022 HIROSE ELECTRIC CO., LTD. All Rights Reserved.  
 In case of consideration for using Automotive equipment / device which demand high reliability, kindly contact our sales window correspondents.

3 DRAWING FOR PACKAGING (FREE)



注 1 CO-PLANARITY IS WITHIN 0.08 mm.

2 THE PLATING SPECIFICATION  
 CONTACT AREA : PALLADIUM NICKEL PLATING 0.75 μm MIN. + GOLD PLATING 0.05 μm MIN.  
 MOUNTING AREA : GOLD PLATING 0.05 μm MIN.  
 UNDERPLATING : NICKEL PLATING 2 μm MIN.

3 3000 PCS PER REEL.

4 . CONNECTOR OPENING CONFIGURATION SATISFIES USB3.0 SPECIFICATIONS.

5 . SCRATCH MARK COULD BE MADE ON THE SURFACE OF REF NO. 3 DURING ASSEMBLY PROCESS, WHICH DOES NOT AFFECT THE PERFORMANCE. LEVEL OF PLATING BRIGHTNESS COULD VARY, WHICH DOSE NOT AFFECT THE PERFORMANCE.

6 INDICATE THE LOT NO. WITH 4 DIGITS AT THE SPECIFIED POSITION.

6 LOT NUMBER (4 DIGITS)

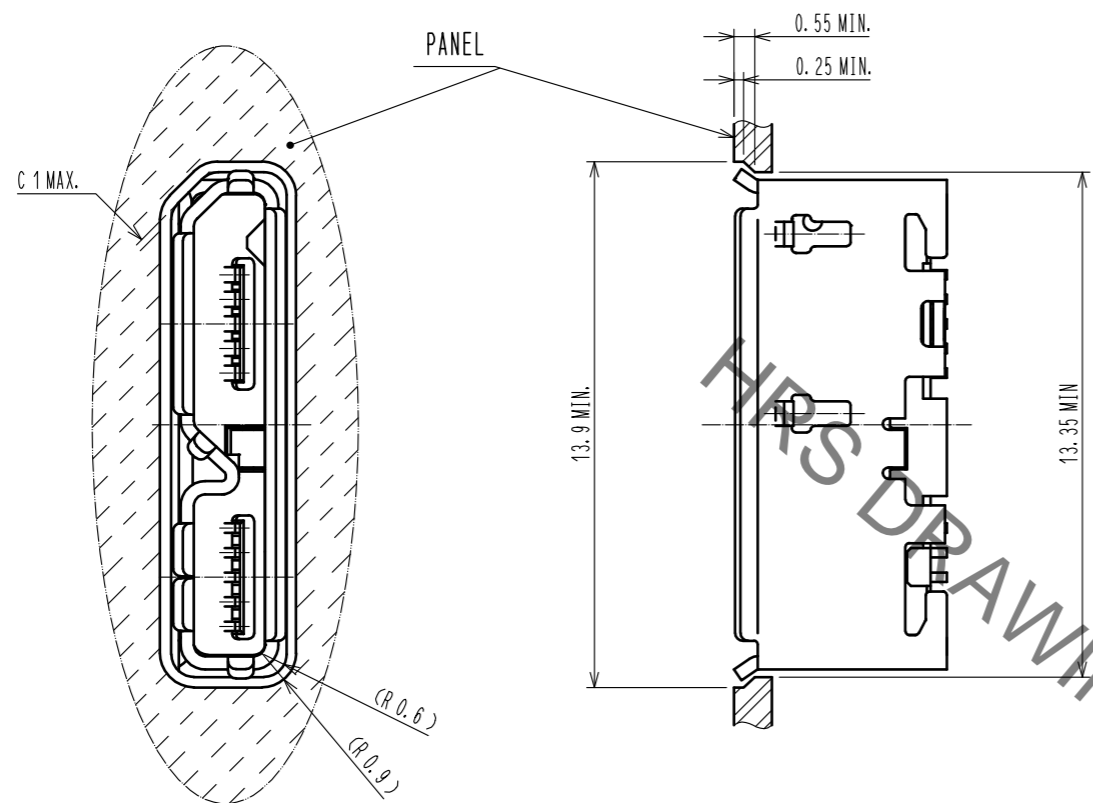
YEAR	MONTH	DAY	DAY	DAY	DAY	DAY	DAY	DAY	DAY	LINE No.	
YEAR CODE	MONTH CODE	DAY CODE	DAY CODE	DAY CODE	DAY CODE	DAY CODE	DAY CODE	DAY CODE	DAY CODE	LINE No. CODE	
2009	9	Jan.	A	1	1	11	B	21	M	1	A
2010	0	Feb.	B	2	2	12	C	22	N	2	B
2011	1	Mar.	C	3	3	13	D	23	P	3	C
2012	2	Apr.	D	4	4	14	E	24	Q	4	D
2013	3	May.	E	5	5	15	F	25	R	5	E
2014	4	Jun.	F	6	6	16	G	26	S	6	F
2015	5	Jul.	G	7	7	17	H	27	T	7	G
2016	6	Aug.	H	8	8	18	J	28	U	8	H
2017	7	Sep.	I	9	9	19	K	29	V	9	I
2018	8	Oct.	J	10	A	20	L	30	W	10	J
2019	9	Nov.	K					31	X	11	K
2020	0	Dec.	L								

2 Halogen-Free  
 Lead Free Process  
 RoHS Compliant

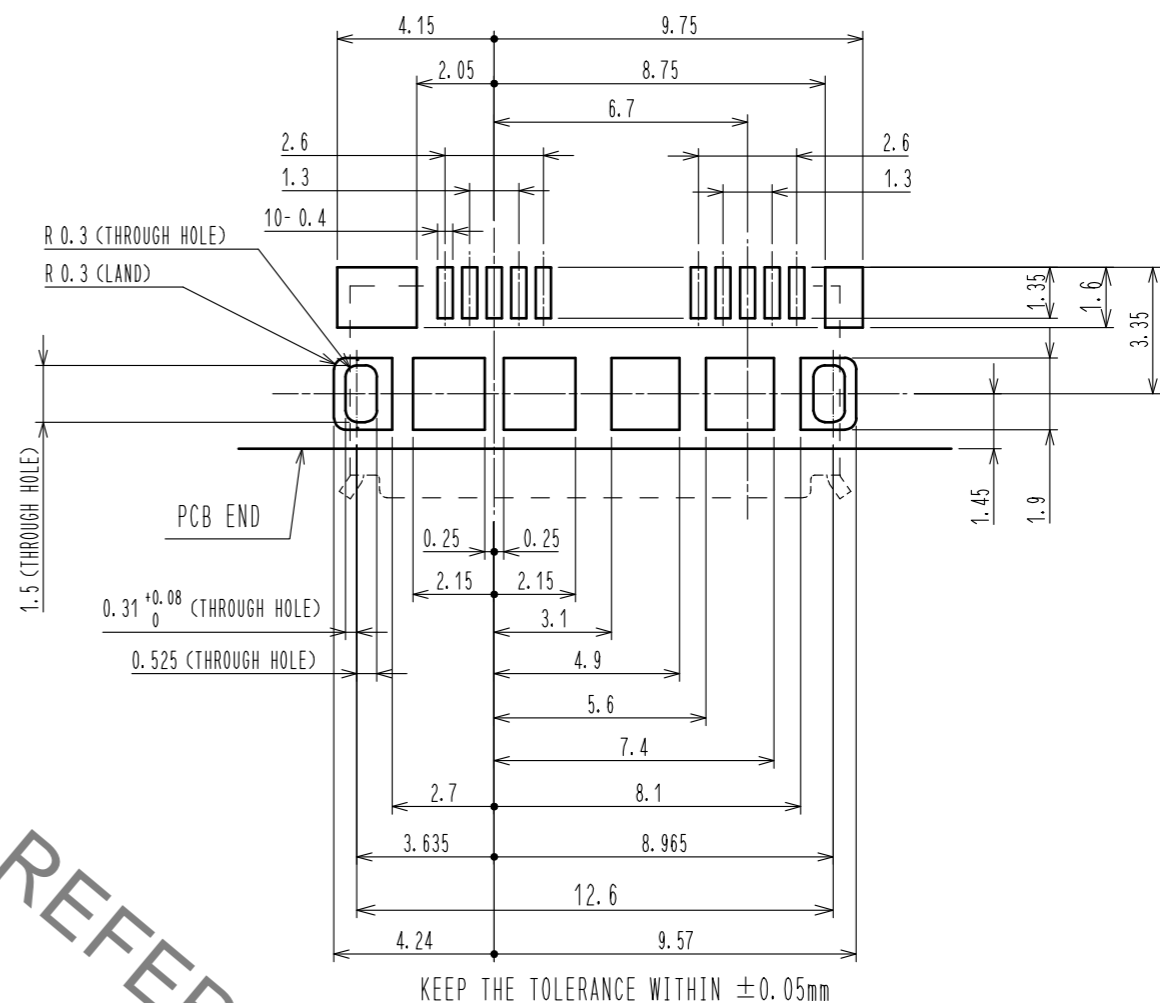
2	COPPER ALLOY	2	5	PE	
1	LCP	UL94V-0, BLACK	4	PS	
			3	STAINLESS STEEL	TIN PLATING 1 μm min. LUBRICANT
NO.	MATERIAL	FINISH . REMARKS	NO.	MATERIAL	FINISH . REMARKS
UNITS	mm	SCALE	5 : 1	COUNT	1
		DESCRIPTION OF REVISIONS		DESIGNED	YS. SAKODA
		DIS-E-00001801		CHECKED	AH. KODAMA
				DATE	20181004
APPROVED : NM. NISHIMATSU		20151027		DRAWING NO. EDC-127028-30-00	
CHECKED : KN. ICHIKAWA		20151027		PART NO. ZX360D-B-10P(30)	
DESIGNED : TS. ITO		20151027		CODE NO. CL242-0500-1-30	
DRAWN : AK. AKIYAMA		20151027			

Jan.1.2022 Copyright 2022 HIROSE ELECTRIC CO., LTD. All Rights Reserved.  
 In case of consideration for using Automotive equipment / device which demand high reliability, kindly contact our sales window correspondents.

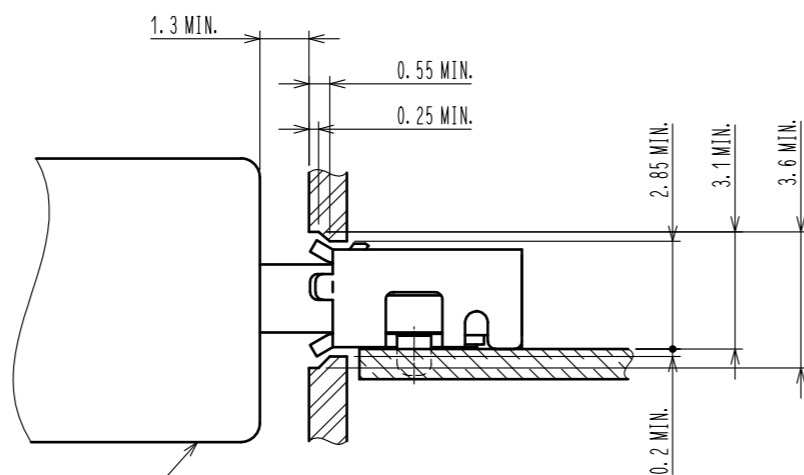
RECOMMENDED PANEL CUTOUT



PCB LAYOUT FOR REFERENCE.



MATED WITH CORRESPONDING PLUG



MicroUSB (TYPE B)  
 (HIROSE'S MICRO USB 'ZX SERIES')

<b>HRS</b>	DRAWING NO.	EDC-127028-30-00
	PART NO.	ZX360D-B-10P(30)
	CODE NO.	CL242-0500-1-30
		2/2