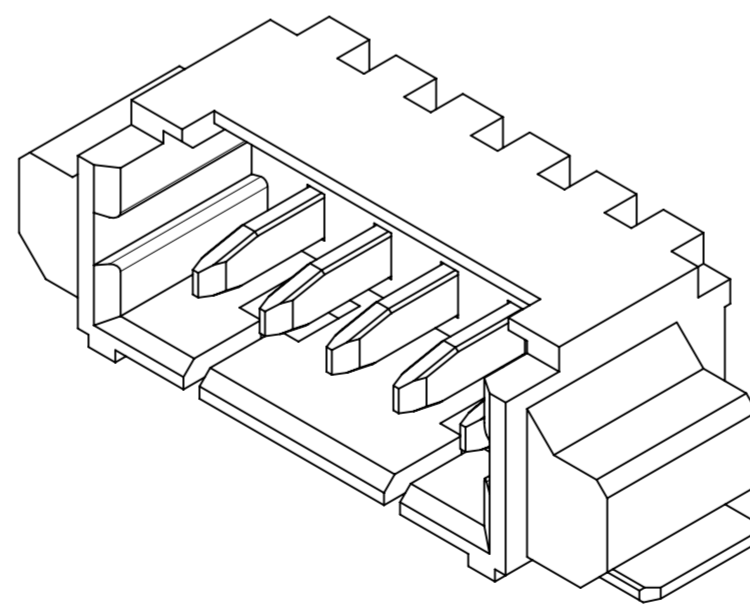
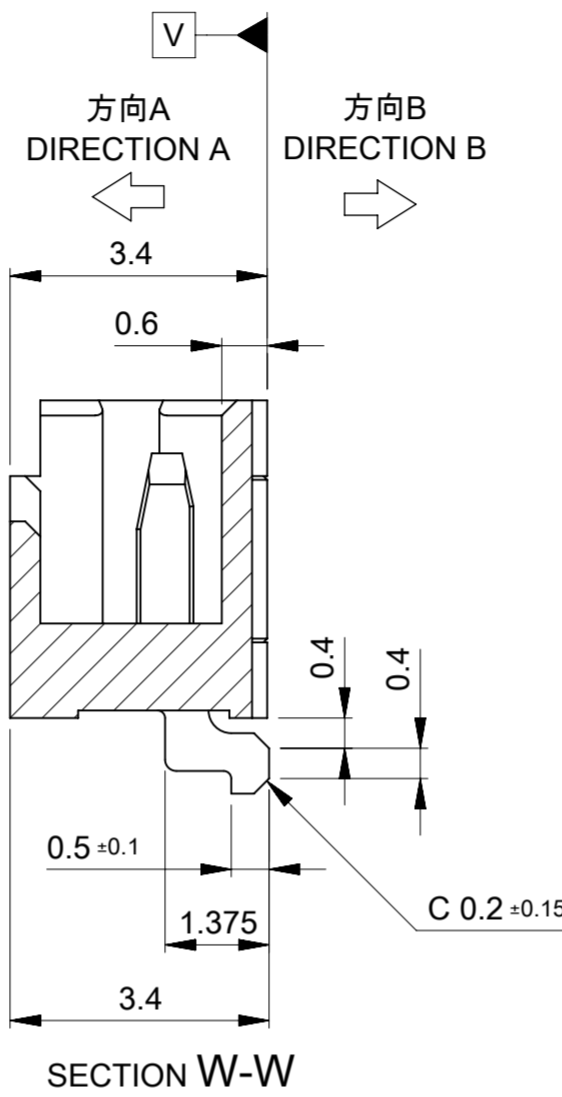
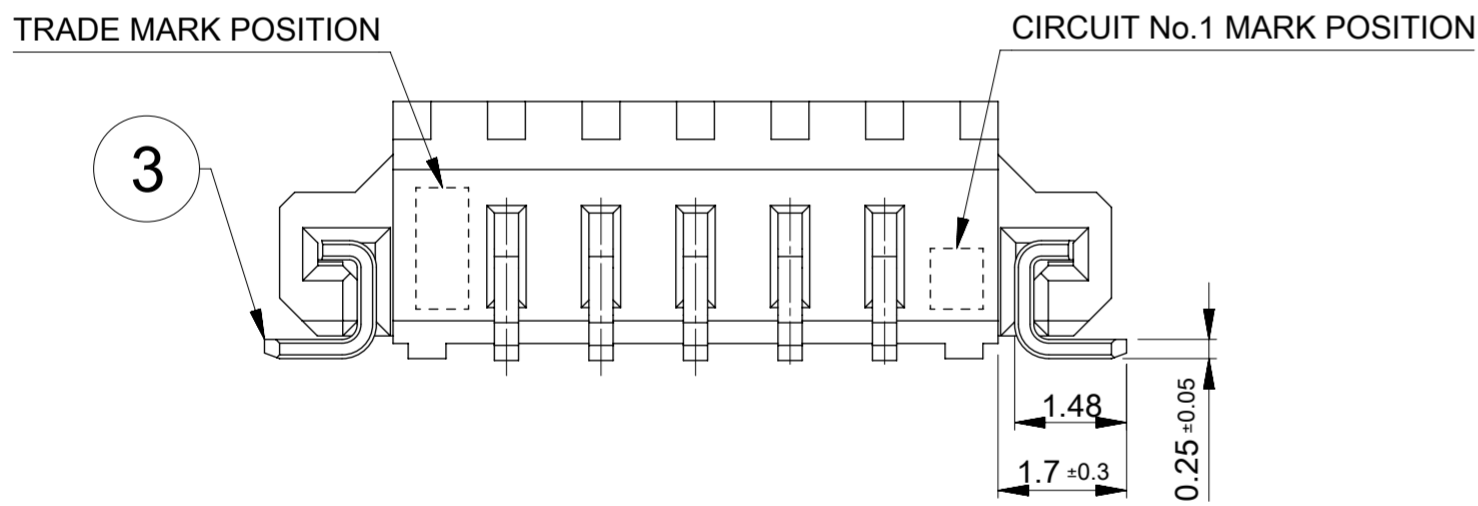
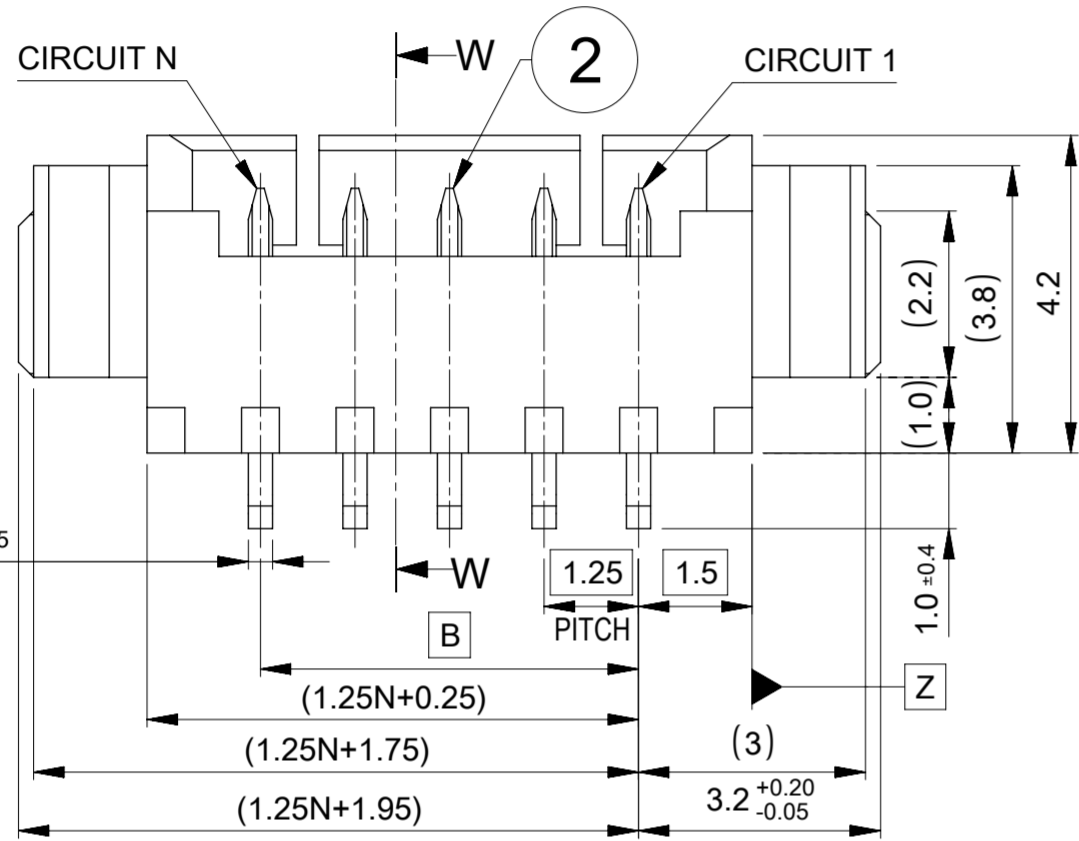
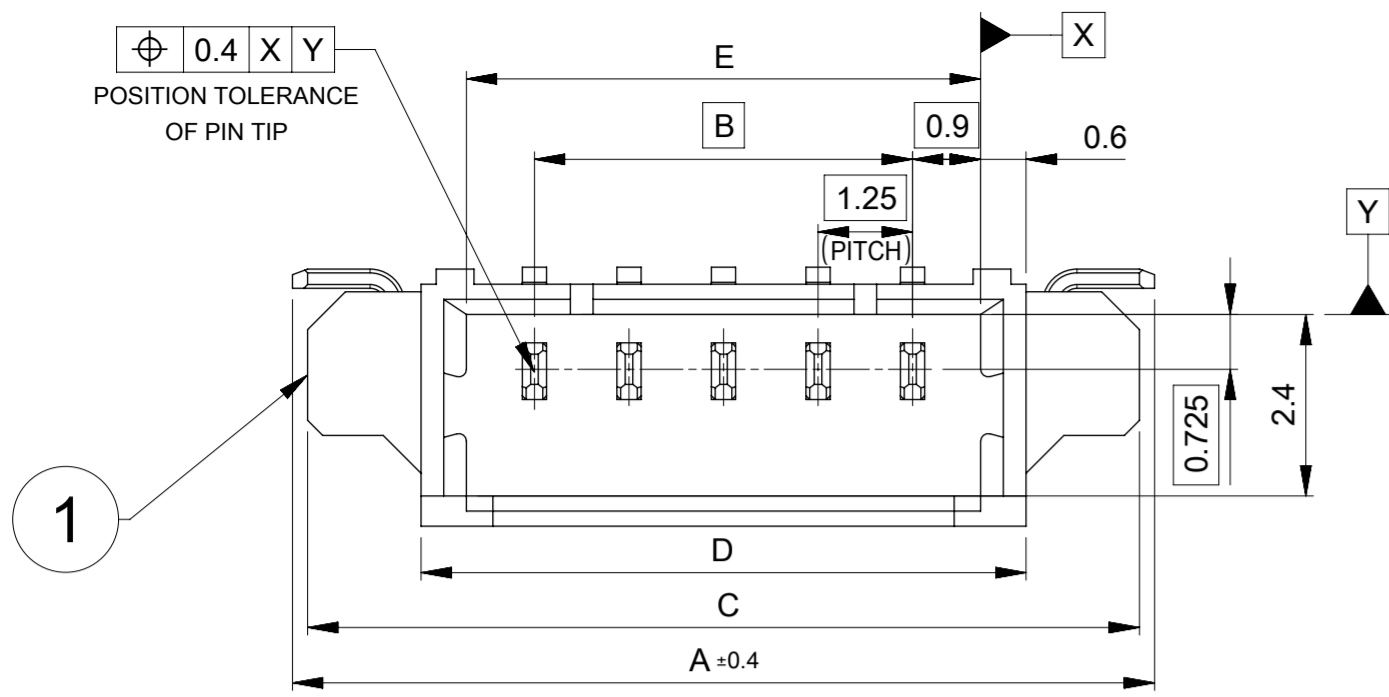
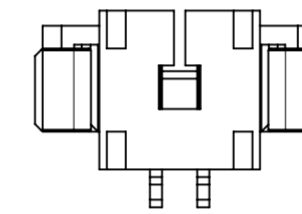


⊕ 0.4 X Y
POSITION TOLERANCE
OF PIN TIP

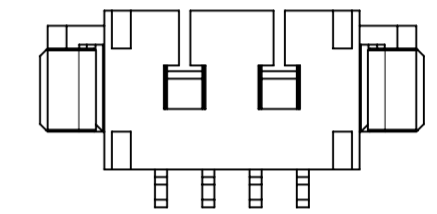


NOTES

- 1. 材料およびめっき仕様：TABLE 1 参照
MATERIAL AND PLATING：REFER TO TABLE 1
- 2. 適用製品及び各種仕様書はSHEET 5を参照のこと
REFER TO SHEET 5 ABOUT APPLICABLE PRODUCTS AND VARIOUS SPECIFICATIONS
- 3. 梱包形態：SHEET 3 参照
PACKAGING INFORMATION：SEE SHEET 3
- 4. テールおよびネイルのズレは基準面 $\square V$ に対しA方向に0.05 MAX、B方向に0.1 MAX
MISALIGNMENT OF TAILS AND NAILS FROM $\square V$,
DIRECTION A: 0.05 MAX, DIRECTION B: 0.1 MAX
- 5. 端子テール部およびネイルの平坦度は0.1以下
COPLANARITY OF TAIL AND NAIL TO BE 0.1 MAX
- 6. 本製品は錫めっき品です。金めっき品は532610000-SD 000をご参照ください
THIS PRODUCT IS TIN PLATING TYPE.
PLEASE REFER TO 532610000-SD FOR GOLD PLATING TYPE.
- 7. ロックの数は、2,3極は1ロック、4極以上は2ロック。
LOCKING WINDOW: ONE PLACE FOR 2 AND 3 CIRCUIT,
AND TWO PLACES FOR MORE THAN 4 CIRCUIT.



△ 2, 3極形状 (1ロック)
FIGURE OF 2, 3 CIRCUIT (1 LOCK)



△ 4極以上ロック形状 (2ロック)
FIGURE OF MORE THAN 4 CIRCUIT (2 LOCKS)

21.8	23	26	20	26.4	---	532611771	17
19.3	20.5	23.5	17.5	23.9	---	532611571	15
18.05	19.25	22.25	16.25	22.65	532611427	532611471	14
16.8	18	21	15	21.4	---	532611371	13
15.55	16.75	19.75	13.75	20.15	532611227	532611271	12
14.3	15.5	18.5	12.5	18.9	---	532611171	11
13.05	14.25	17.25	11.25	17.65	---	532611071	10
11.8	13	16	10	16.4	532610927	532610971	9
10.55	11.75	14.75	8.75	15.15	532610827	532610871	8
9.3	10.5	13.5	7.5	13.9	532610727	532610771	7
8.05	9.25	12.25	6.25	12.65	532610627	532610671	6
6.8	8	11	5	11.4	532610527	532610571	5
5.55	6.75	9.75	3.75	10.15	532610427	532610471	4
4.3	5.5	8.5	2.5	8.9	532610327	532610371	3
3.05	4.25	7.25	1.25	7.65	---	532610271	2
E	D	C	B	A	色：黒 COLOUR: BLACK	色：ナチュラル(ベージュ) COLOUR: NATURAL (BEIGE)	極数 CIRCUIT SIZE
						△ 発注番号 ORDER NO	
						梱包形態：エンボス梱包 PACKAGING：EMBOSS TAPE AND REEL	

△ TABLE 1

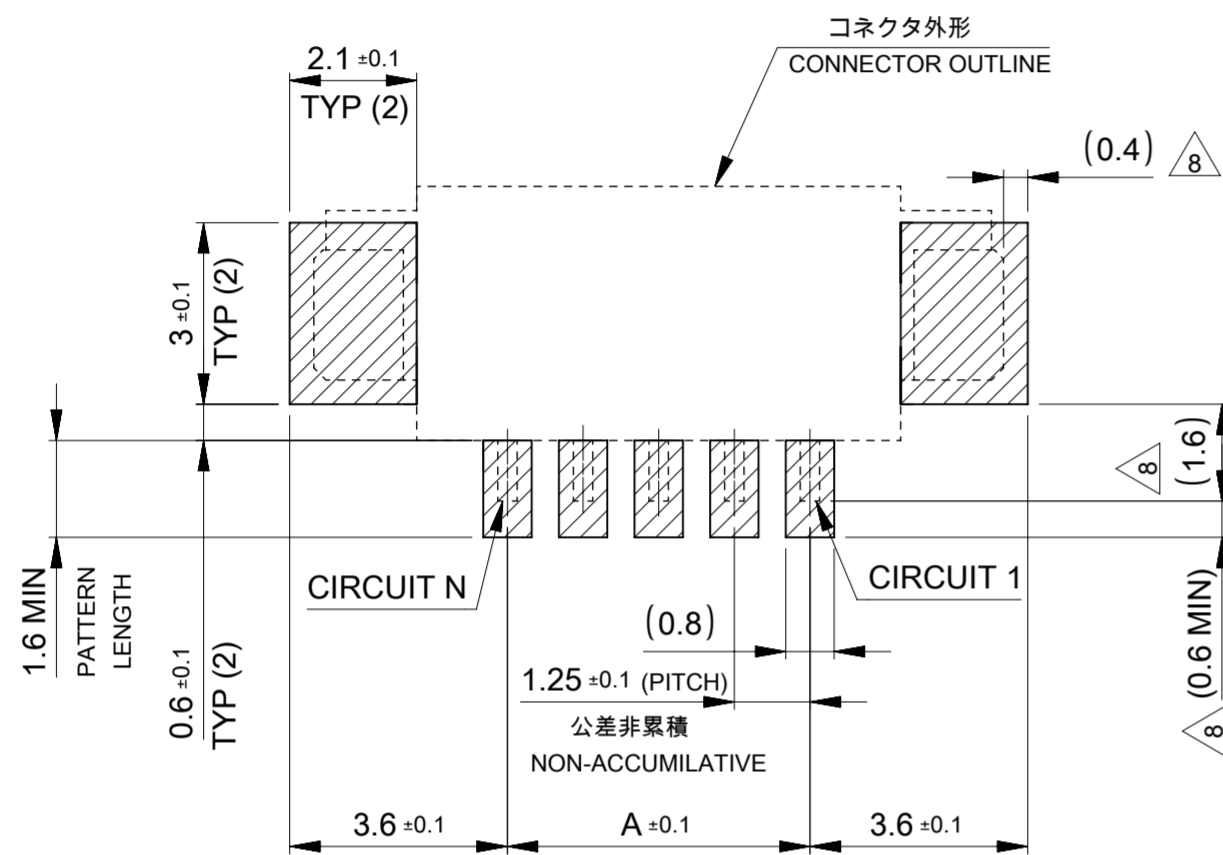
番号 NO.	部品 PART	材質 MATERIAL
①	ハウジング HOUSING	ポリアミド(PA), UL94V-0, GLASS-FILLED, 色: 表参照 POLYAMIDE(PA), UL94V-0, GLASS-FILLED, COLOUR: SEE CHART
②	ターミナル TERMINAL	りん青銅 PHOSPHOR BRONZE 無光沢錫めっき 1.0 MICROMETER MINIMUM MATTE TIN PLATING 1.0 MICROMETER MINIMUM ニッケルめっき 1.0 MICROMETER MINIMUM NICKEL PLATING 1.0 MICROMETER MINIMUM
③	ネイル NAIL	りん青銅 PHOSPHOR BRONZE 無光沢錫めっき 1.0 MICROMETER MINIMUM MATTE TIN PLATING 1.0 MICROMETER MINIMUM ニッケルめっき 1.0 MICROMETER MINIMUM NICKEL PLATING 1.0 MICROMETER MINIMUM

THIS DRAWING CONTAINS INFORMATION THAT IS PROPRIETARY TO MOLEX ELECTRONIC TECHNOLOGIES, LLC AND SHOULD NOT BE USED WITHOUT WRITTEN PERMISSION

DIMENSION UNITS	SCALE	CURRENT REV DESC:	molex			
mm	NTS					
GENERAL TOLERANCES (UNLESS SPECIFIED)			PICOBLADE 1.25 SMT RIGHT ANGLE TIN PLATING TYPE			
ANGULAR TOL	± 3.0°	EC NO: 706542				
4 PLACES	± 0.2	DRWN: QHE31 2022/05/02	PRODUCT CUSTOMER DRAWING			
3 PLACES	± 0.2	CHK'D: KOMURAKAMI 2022/06/03				
2 PLACES	± 0.2	APPR: SAKIYAMA 2022/06/03	DOCUMENT NUMBER			
1 PLACE	± 0.2	INITIAL REVISION:				
0 PLACES	± 0.2	DRWN: QHE31 2021/12/15	532610001-SD			
		APPR: KOMURAKAMI 2021/12/24				
DRAFT WHERE APPLICABLE MUST REMAIN WITHIN DIMENSIONS	THIRD ANGLE PROJECTION	DRAWING	SERIES	MATERIAL NUMBER	CUSTOMER	SHEET NUMBER
		A2-SIZE	53261	SEE CHART	GENERAL	1 OF 5

NOTES

△₈ 製品輪郭線からパッドまでの寸法を示す。
DIMENSIONS FROM CONNECTOR OUTLINE TO PAD



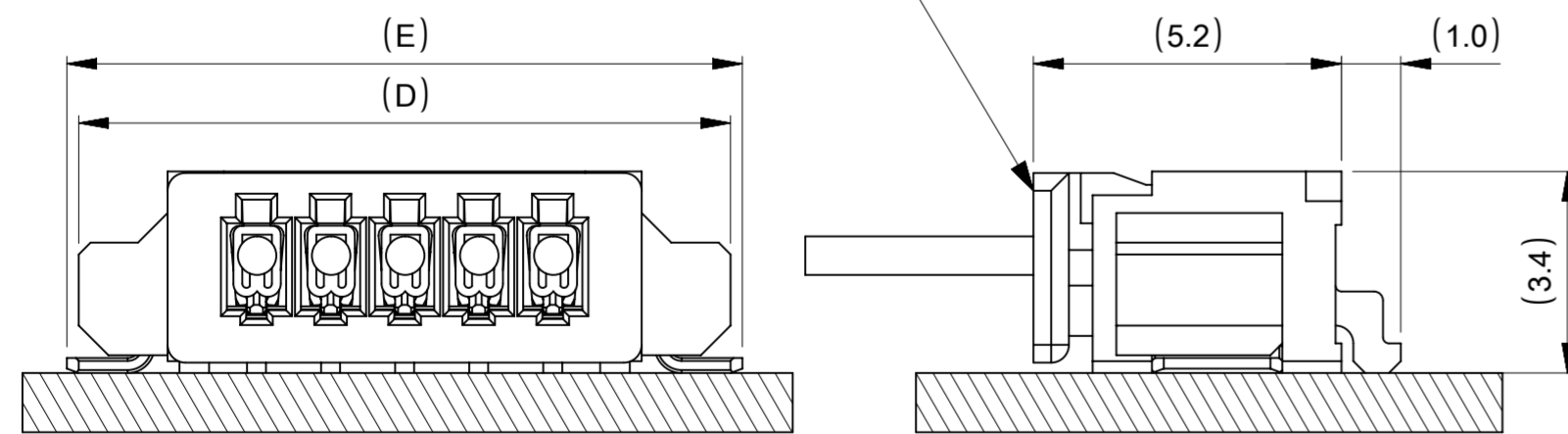
推奨基板レイアウト (実装面側)

RECOMMENDED PCB LAYOUT : COMPONENT SIDE

(参考 : 基板厚 1.0mm, メタルマスク厚さ: 0.15mm, マスク開口率: 100%)

(REFERENCE : PCB THICKNESS 1.0mm, STENCIL THICKNESS: 0.15mm, APERTURE: 100%)

嵌合相手 : 51021 シリーズ
MATE WITH : 51021 SERIES

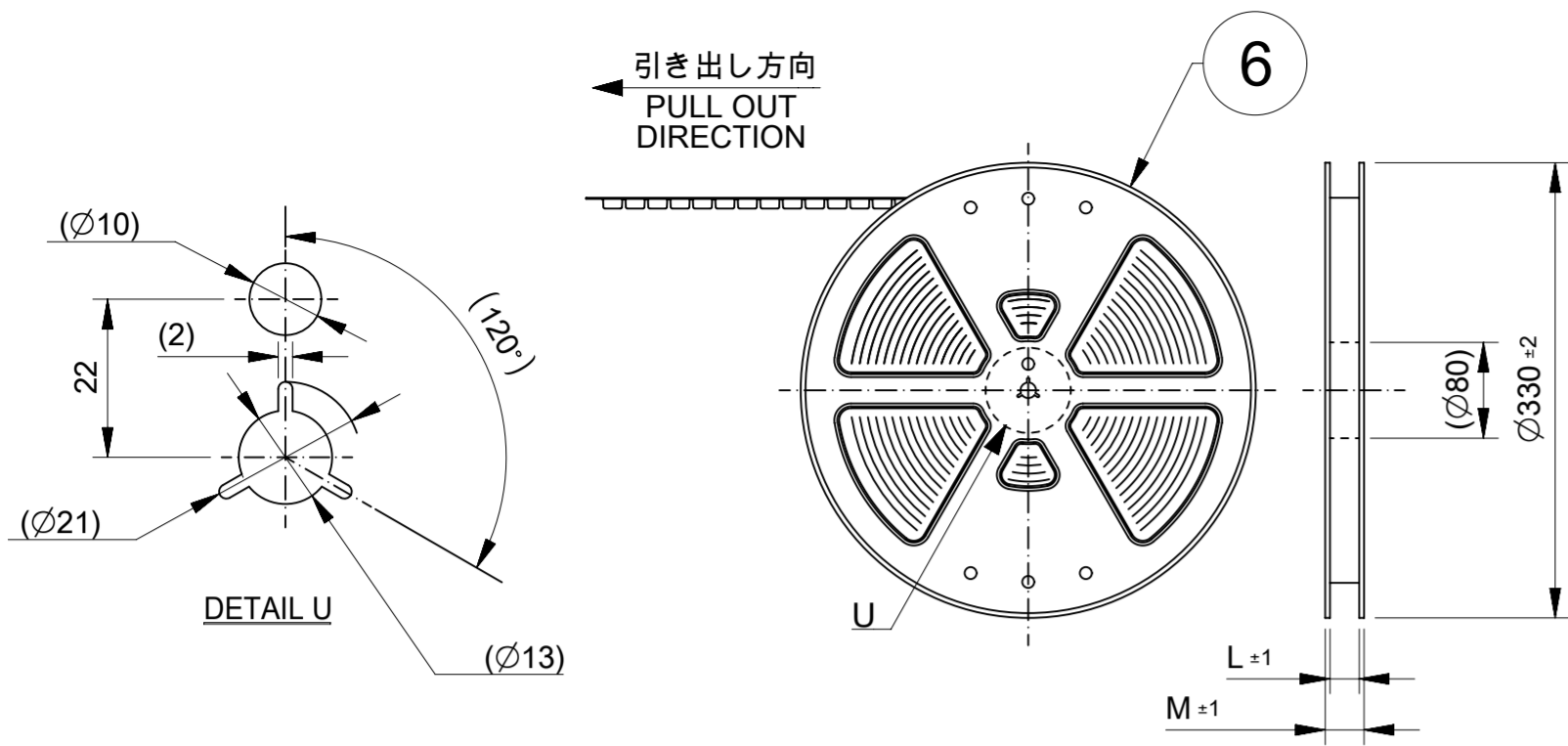


嵌合図
MATED CONNECTOR

21.8	23	26	20	26.4	17
19.3	20.5	23.5	17.5	23.9	15
18.05	19.25	22.25	16.25	22.65	14
16.8	18	21	15	21.4	13
15.55	16.75	19.75	13.75	20.15	12
14.3	15.5	18.5	12.5	18.9	11
13.05	14.25	17.25	11.25	17.65	10
11.8	13	16	10	16.4	9
10.55	11.75	14.75	8.75	15.15	8
9.3	10.5	13.5	7.5	13.9	7
8.05	9.25	12.25	6.25	12.65	6
6.8	8	11	5	11.4	5
5.55	6.75	9.75	3.75	10.15	4
4.3	5.5	8.5	2.5	8.9	3
3.05	4.25	7.25	1.25	7.65	2
E	D	C	B	A	極数 CIRCUIT SIZE

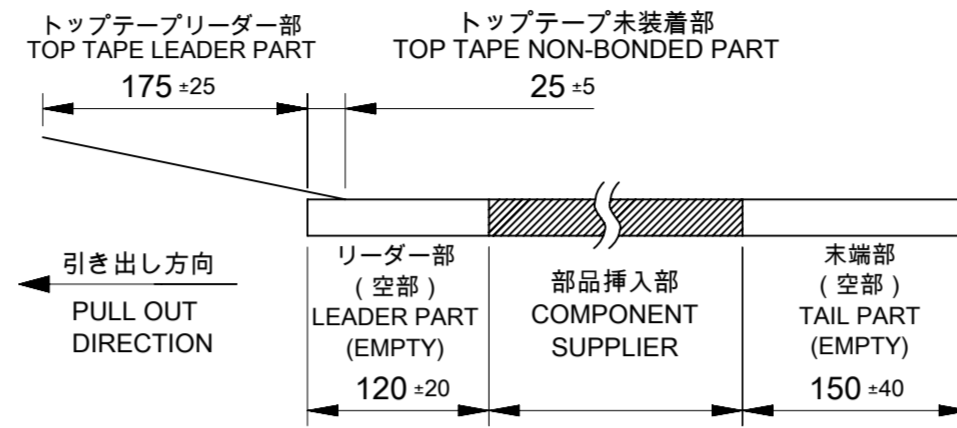
THIS DRAWING CONTAINS INFORMATION THAT IS PROPRIETARY TO MOLEX ELECTRONIC TECHNOLOGIES, LLC AND SHOULD NOT BE USED WITHOUT WRITTEN PERMISSION									
DIMENSION UNITS	SCALE	CURRENT REV DESC:							
mm	NTS								
GENERAL TOLERANCES (UNLESS SPECIFIED)		EC NO: 706542			PICOBLADE 1.25 SMT RIGHT ANGLE TIN PLATING TYPE				
ANGULAR TOL	± 3.0°	DRWN: QHE31 2022/05/02							
4 PLACES	± 0.2	CHK'D: KOMURAKAMI 2022/06/03			PRODUCT CUSTOMER DRAWING				
3 PLACES	± 0.2	APPR: SAKIYAMA 2022/06/03							
2 PLACES	± 0.2	INITIAL REVISION:			DOCUMENT NUMBER 532610001-SD				
1 PLACE	± 0.2	DRWN: QHE31 2021/12/15							
0 PLACES	± 0.2	APPR: KOMURAKAMI 2021/12/24			DOC TYPE DOC PART REVISION PSD 000 C				
DRAFT WHERE APPLICABLE MUST REMAIN WITHIN DIMENSIONS		THIRD ANGLE PROJECTION	DRAWING	SERIES					
			A2-SIZE	53261	SEE CHART	GENERAL		2 OF 5	

DOCUMENT STATUS	P1	RELEASE DATE	2022/06/03	11:50:49
-----------------	----	--------------	------------	----------



注釈 NOTE

- 9. 梱包数量: 1000個/リール
NUMBER OF CONNECTOR: 1000PCS/REEL
- 10. リードテープ長さ LEAD TAPE LENGTH



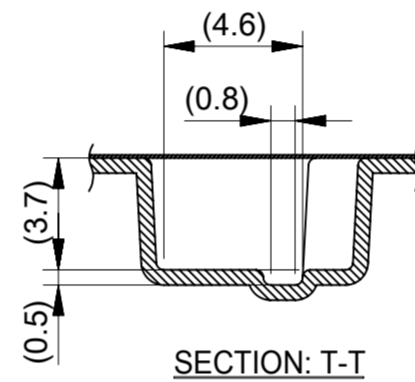
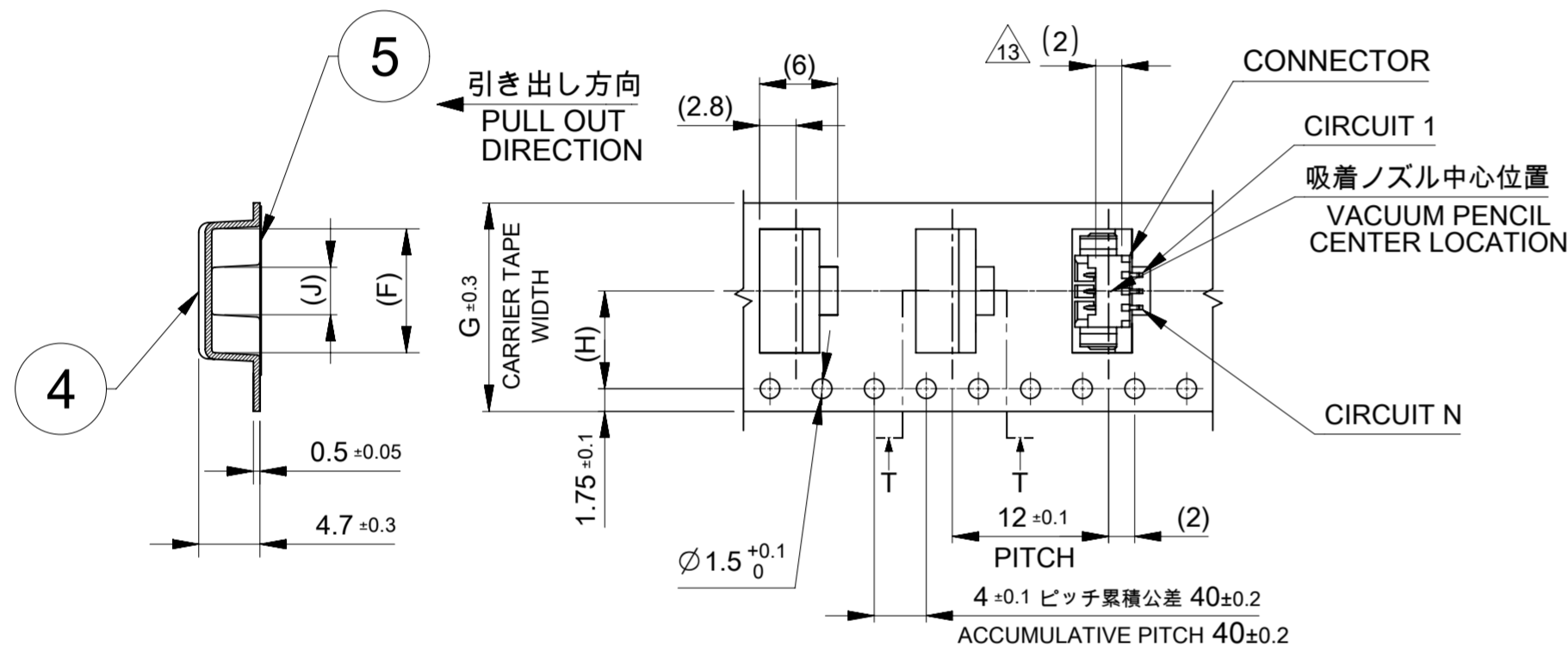
△11 発注番号
ORDER NUMBER
53261****

極数
CIRCUIT

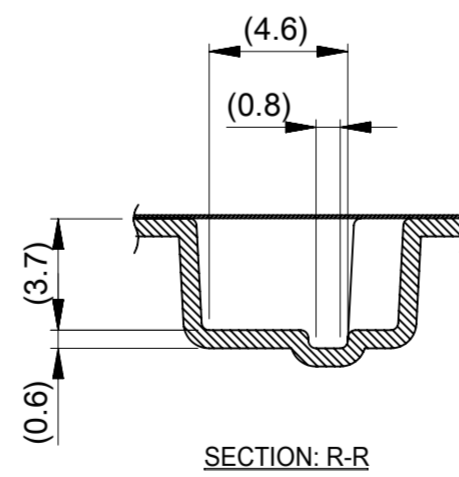
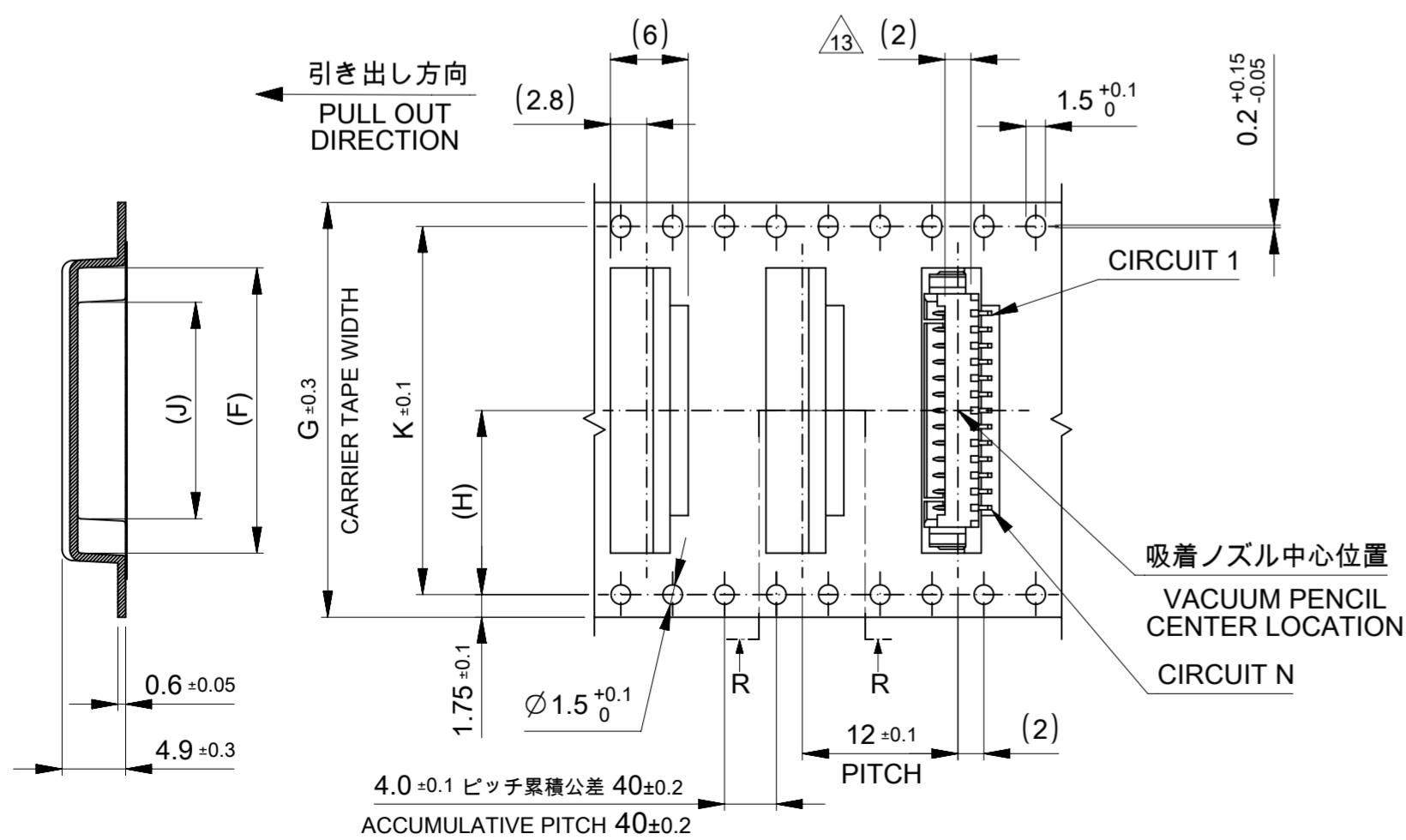
- △12 材料: TABLE 2参照
MATERIAL: REFER TO TABLE 2
- △13 コネクタハウジング平面部
CONNECTOR HOUSING FLAT AREA.
- 14. トップテープの剥離強度はIEC 60286-3に準拠。
TOP TAPE PEELING FORCE IS DEFINED BY IEC 60286-3.
- 15. 本製品は乾燥剤入りハイバリア梱包仕様である。
THIS PRODUCT IS HIGH BARRIER PACKAGE WITH DESICCANT.
- 16. 梱包仕様書: SPK-53261-002
PACKAGING SPECIFICATION: SPK-53261-002

△12 TABLE2

番号 NO.	部品 PART	材質 MATERIAL
④	キャリアテープ CARRIER TAPE	ポリプロピレン(PP) POLYPROPYLENE(PP)
⑤	トップテープ TOP TAPE	ポリエチレン (PE)、その他 POLYETHYLENE (PE), ETC
⑥	リール REEL	ポリスチレン(PS)<リサイクル材を含む> POLYSTYRENE(PS) < RECYCLE MATERIAL CONTAINED >



16mm幅(2~3極用)および24mm幅(4~10極用)キャリアテープ
16mm (FOR 2~3 CIRCUIT) OR 24mm (FOR 4~10 CIRCUIT) WIDTH CARRIER TAPE



32mm幅(11~13極用)および44mm幅(14~15, 17極用)キャリアテープ
32mm (FOR 11~13 CIRCUIT) OR 44mm (FOR 14~15, 17 CIRCUIT) WIDTH CARRIER TAPE

49.4	45.4	40.4	21.2		27	17
			18.7	20.2	42	15
			17.45		23.25	14
37.4	33.4	28.4	16.2		22	13
			14.95	14.2	32	12
			13.7		19.5	11
29.4	25.4	-	12.45		18.25	10
			11.2		17	9
			9.95		15.75	8
			8.7	11.5	24	7
			7.45		14.5	6
			6.2		12	5
			4.95		10.75	4
21.4	17.4	-	3.7	7.5	16	3
			2.45		8.25	2
M	L	K	J	H	キャリアテープ幅 G CARRIER TAPE WIDTH G	極数 CIRCUIT SIZE

THIS DRAWING CONTAINS INFORMATION THAT IS PROPRIETARY TO MOLEX ELECTRONIC TECHNOLOGIES, LLC AND SHOULD NOT BE USED WITHOUT WRITTEN PERMISSION

DIMENSION UNITS	SCALE	CURRENT REV DESC:
mm	NTS	
GENERAL TOLERANCES (UNLESS SPECIFIED)		
ANGULAR TOL	± 3.0°	
4 PLACES	± 0.2	EC NO: 706542
3 PLACES	± 0.2	DRWN: QHE31 2022/05/02
2 PLACES	± 0.2	CHK'D: KOMURAKAMI 2022/06/03
1 PLACE	± 0.2	APPR: SAKIYAMA 2022/06/03
0 PLACES	± 0.2	INITIAL REVISION:
		DRWN: QHE31 2021/12/15
		APPR: KOMURAKAMI 2021/12/24
DRAFT WHERE APPLICABLE MUST REMAIN WITHIN DIMENSIONS	THIRD ANGLE PROJECTION	DRAWING A2-SIZE
		SERIES 53261
		MATERIAL NUMBER SEE CHART
		CUSTOMER GENERAL
		SHEET NUMBER 3 OF 5

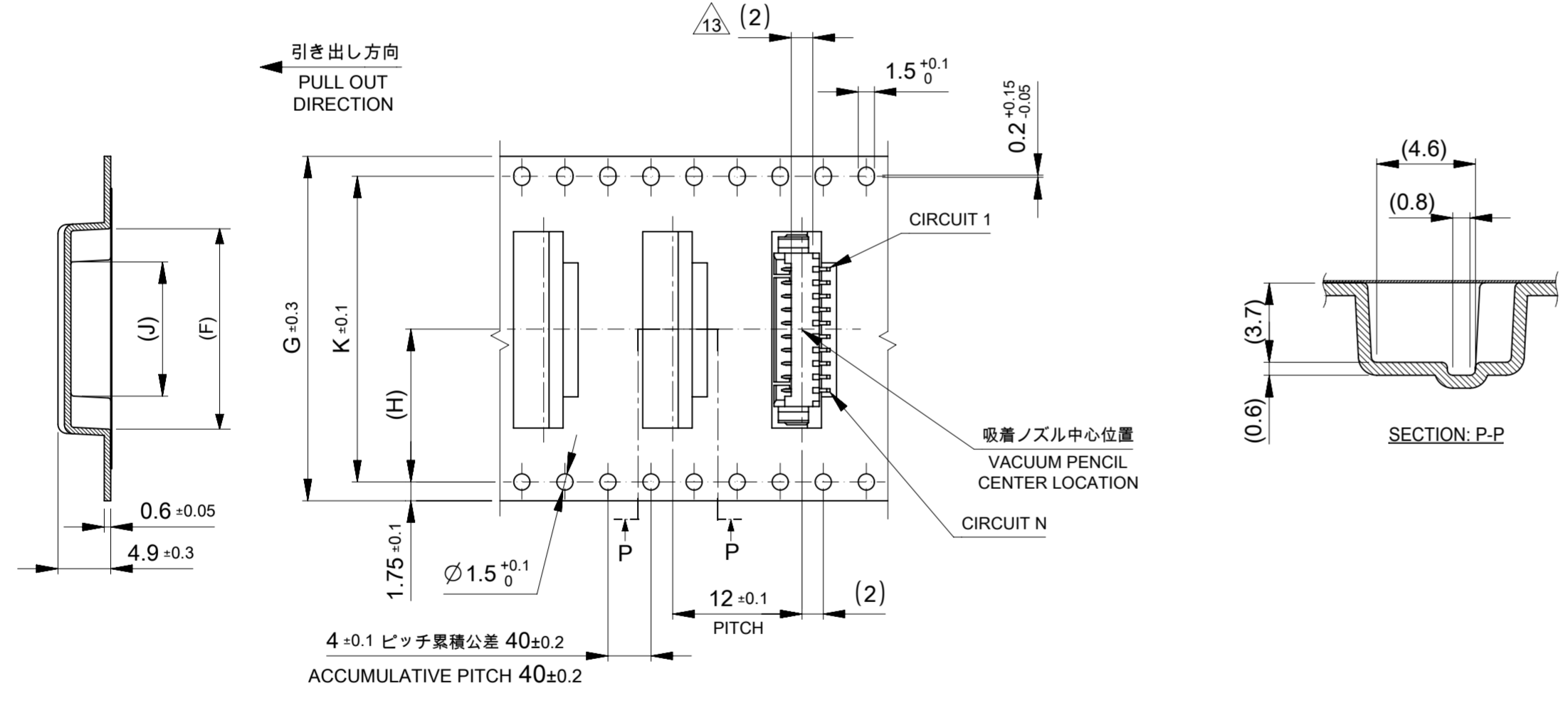
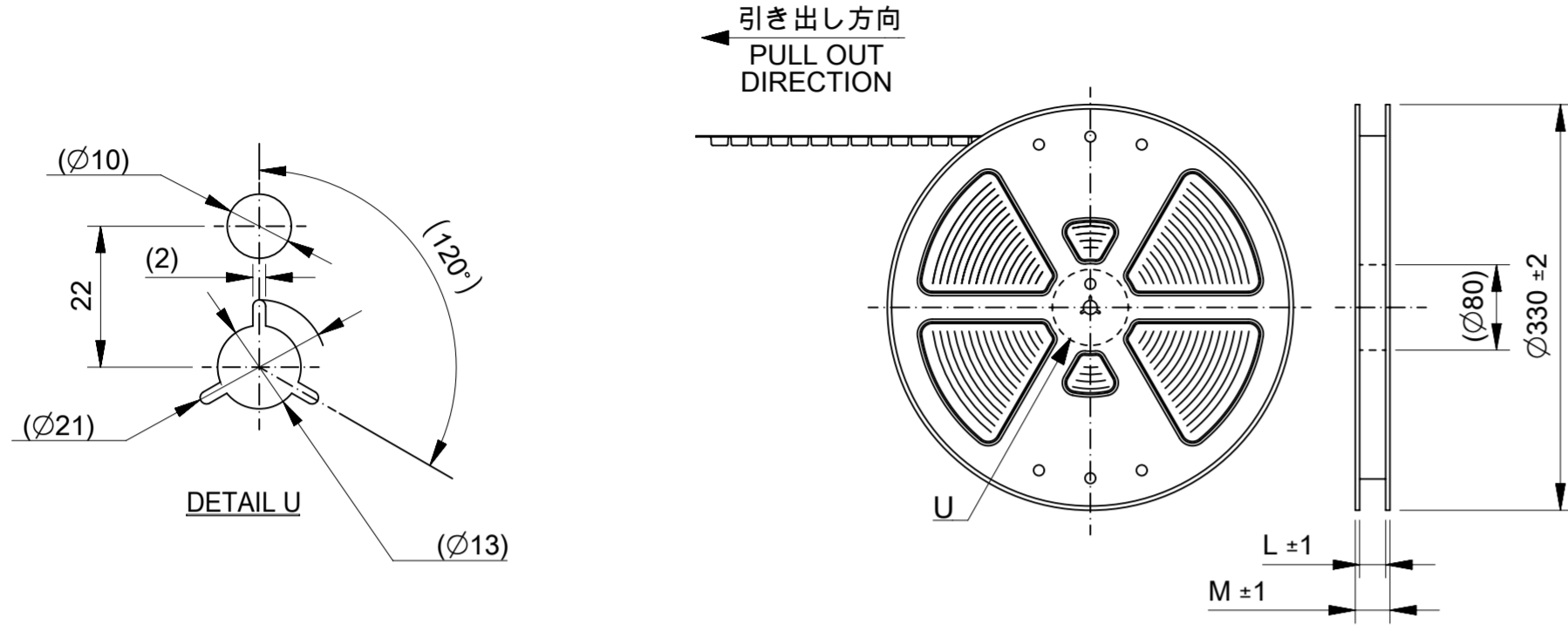
molex

PICOBLADE 1.25
SMT RIGHT ANGLE TIN PLATING TYPE

PRODUCT CUSTOMER DRAWING

DOCUMENT NUMBER: 532610001-SD
DOC TYPE: PSD
DOC PART: 000
REVISION: C

532611071
 韓国生産分に適用
 APPLIES TO PRODUCT
 PRODUCED BY MXK



32mm幅キャリアテープ
 32mm WIDTH CARRIER TAPE

37.4	33.4	28.4	12.45	14.2	32	18.25	10
M	L	K	J	H	キャリアテープ幅 G CARRIER TAPE WIDTH G	F	極数 CIRCUIT SIZE

THIS DRAWING CONTAINS INFORMATION THAT IS PROPRIETARY TO MOLEX ELECTRONIC TECHNOLOGIES, LLC AND SHOULD NOT BE USED WITHOUT WRITTEN PERMISSION

DIMENSION UNITS	SCALE	CURRENT REV DESC:		molex
mm	NTS			
GENERAL TOLERANCES (UNLESS SPECIFIED)		EC NO: 706542		PICOBLADE 1.25 SMT RIGHT ANGLE TIN PLATING TYPE
ANGULAR TOL	± 3.0°	DRWN: QHE31	2022/05/02	
4 PLACES	± 0.2	CHK'D: KOMURAKAMI	2022/06/03	
3 PLACES	± 0.2	APPR: SAKIYAMA	2022/06/03	PRODUCT CUSTOMER DRAWING
2 PLACES	± 0.2	INITIAL REVISION:		DOCUMENT NUMBER
1 PLACE	± 0.2	DRWN: QHE31	2021/12/15	532610001-SD
0 PLACES	± 0.2	APPR: KOMURAKAMI	2021/12/24	DOC TYPE
DRAFT WHERE APPLICABLE MUST REMAIN WITHIN DIMENSIONS	THIRD ANGLE PROJECTION	DRAWING	SERIES	MATERIAL NUMBER
		A2-SIZE	53261	SEE CHART
		CUSTOMER		GENERAL
		SHEET NUMBER		4 OF 5

△適合製品及び各種仕様書
 APPLICABLE PRODUCTS AND SPECIFICATIONS

梱包仕様書 PACKING SPECIFICATION		PART NUMBER 53261**71 / 53261**27		SPECIFICATION NUMBER SPK-53261-002	
適合ハウジング APPLICABLE HOUSING		PART NUMBER 51021**00			
適合圧着端子 APPLICABLE TERMINAL	PLATING	TIN			
	PART NUMBER	500798*00	500588*00	500798001	500588001
	WIRE SIZE (AWG)	#26-28	#28-32	#26-28	#28-32
製品仕様書 PRODUCT SPECIFICATION		PS-51021-024 PS 001		510211124-PS PS 000	
アプリケーション仕様書 (取扱説明書) APPLICATION SPECIFICATION		510210000-AS PS 000			

THIS DRAWING CONTAINS INFORMATION THAT IS PROPRIETARY TO MOLEX ELECTRONIC TECHNOLOGIES, LLC AND SHOULD NOT BE USED WITHOUT WRITTEN PERMISSION										
DIMENSION UNITS	SCALE	CURRENT REV DESC:			molex					
mm	NTS									
GENERAL TOLERANCES (UNLESS SPECIFIED)					PICOBLADE 1.25 SMT RIGHT ANGLE TIN PLATING TYPE					
ANGULAR TOL	± 3.0°	EC NO: 706542			PRODUCT CUSTOMER DRAWING					
4 PLACES	± 0.2	DRWN: QHE31 2022/05/02								
3 PLACES	± 0.2	CHK'D: KOMURAKAMI 2022/06/03								
2 PLACES	± 0.2	APPR: SAKIYAMA 2022/06/03								
1 PLACE	± 0.2	INITIAL REVISION:			DOCUMENT NUMBER					
0 PLACES	± 0.2	DRWN: QHE31 2021/12/15			532610001-SD			DOC TYPE	DOC PART	REVISION
DRAFT WHERE APPLICABLE MUST REMAIN WITHIN DIMENSIONS		THIRD ANGLE PROJECTION		DRAWING	SERIES	MATERIAL NUMBER	CUSTOMER		SHEET NUMBER	
				A2-SIZE	53261	SEE CHART	GENERAL		5 OF 5	

10 9 8 7 6 5 4 3 2 1

F

F

E

E

D

D

C

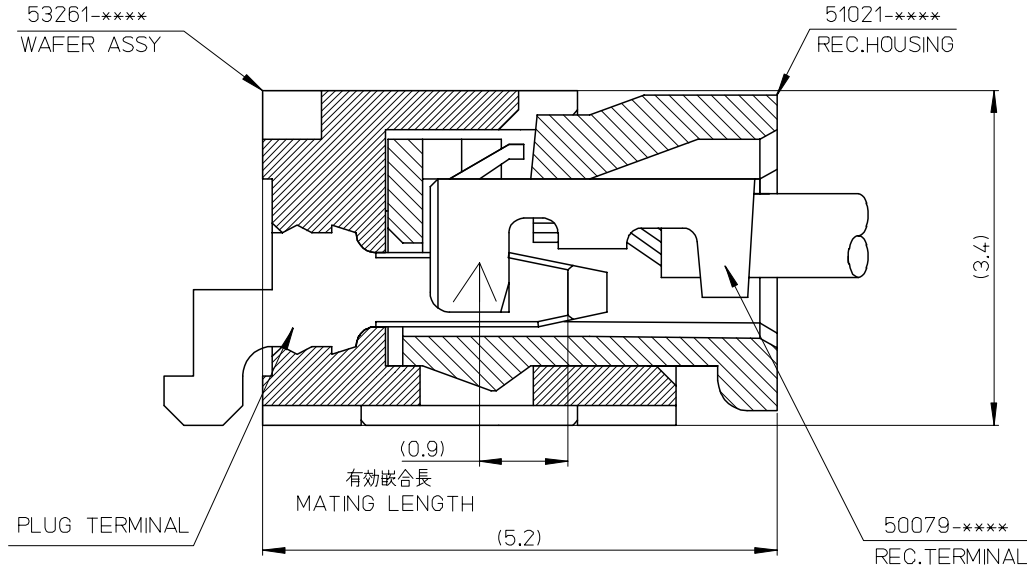
C

B

B

A

A



53261-****	WAFER ASSY	MODEL NO./MATERIAL NO.
50079-****	TERMINAL	
51021-****	HOUSING	

RELEASED EC NO: J2006-2426 DRWN: A0YAGI 2006/02/02 CHKD: YMAEDA 2006/02/03 APPR: NUKITA 2006/02/07	GENERAL TOLERANCES (UNLESS SPECIFIED)		DIMENSION STYLE MM ONLY		SCALE ---	DESIGN UNITS METRIC	THIRD ANGLE PROJECTION	
	10 UNDER	± ---	DRAWN BY Y. A0YAGI	DATE 2006/01/30	TITLE 1.25 W-TO-B CONN. 51021,53261 MATING CROSS SECTION			
	10 OVER 30 UNDER	± ---	CHECKED BY Y. MAEDA	DATE 2006/01/30	MOLEX INCORPORATED			
	30 OVER	± ---	APPROVED BY N. UKITA	DATE 2006/01/30	DOCUMENT NO. SD-51021-002			
	ANGULAR	± --- °	MATERIAL NO. SEE CHART		SHEET NO. 1 OF 1			
0	DRAFT WHERE APPLICABLE MUST REMAIN WITHIN DIMENSIONS		SIZE A3		THIS DRAWING CONTAINS INFORMATION THAT IS PROPRIETARY TO MOLEX INCORPORATED AND SHOULD NOT BE USED WITHOUT WRITTEN PERMISSION			