

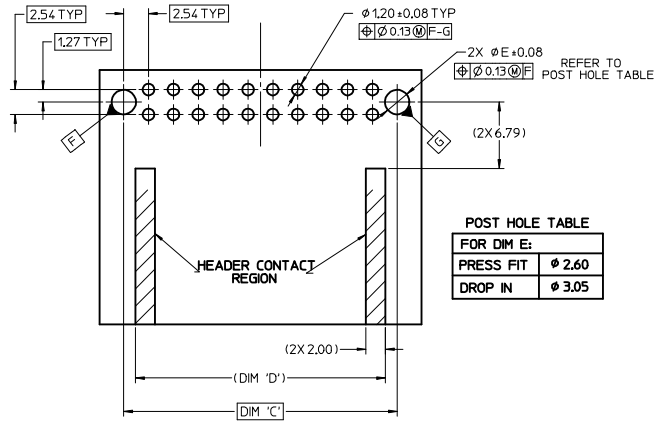
MATERIAL NUMBER			CKT SIZE	DESCRIPTION	POL	COLOR
TRAY PACKAGING PK-31300-892	TUBE PACKAGING PK-31301-063	ALT TRAY PACK PK-31300-894				
34691-0200	34691-9200	34691-9204	20	STAC64 RIGHT ANGLE HEADER ASSEMBLY	A	BLACK
34691-0201	34691-9201	TBD	20	STAC64 RIGHT ANGLE HEADER ASSEMBLY	B	GREY
34691-0202	34691-9202	TBD	20	STAC64 RIGHT ANGLE HEADER ASSEMBLY	C	BROWN
34691-0203	34691-9203	TBD	20	STAC64 RIGHT ANGLE HEADER ASSEMBLY	D	GREEN
34691-0160	34691-9160	TBD	16	STAC64 RIGHT ANGLE HEADER ASSEMBLY	A	BLACK
34691-0161	34691-9161	TBD	16	STAC64 RIGHT ANGLE HEADER ASSEMBLY	B	GREY
34691-0162	34691-9162	TBD	16	STAC64 RIGHT ANGLE HEADER ASSEMBLY	C	BROWN
34691-0120	34691-9120	TBD	12	STAC64 RIGHT ANGLE HEADER ASSEMBLY	A	BLACK
34691-0121	34691-9121	TBD	12	STAC64 RIGHT ANGLE HEADER ASSEMBLY	B	GREY
34691-0122	34691-9122	TBD	12	STAC64 RIGHT ANGLE HEADER ASSEMBLY	C	BROWN
34691-0080	34691-9080	TBD	8	STAC64 RIGHT ANGLE HEADER ASSEMBLY	A	BLACK
34691-0081	34691-9081	TBD	8	STAC64 RIGHT ANGLE HEADER ASSEMBLY	B	GREY
34691-0082	34691-9082	TBD	8	STAC64 RIGHT ANGLE HEADER ASSEMBLY	C	BROWN

- NOTES: VALID UNLESS OTHERWISE SPECIFIED  
1. GENERAL:
- CONNECTOR HEADER MUST BE VALIDATED TO THE FOLLOWING FUNCTIONAL REQUIREMENTS:  
POLARIZATION FEATURE EFFECTIVENESS - SEE PRODUCT SPECIFICATION  
PIN RETENTION - USCAR-2 REV 4  
SOLDERABILITY - SMES-152
  - APPLICATION REQUIREMENTS (REFERENCE ONLY) FOR:  
SEE APPLICATION SPECIFICATION - AS-34729-020/AS-31408-100  
SEE PRODUCT SPECIFICATION - PS-34729-020/PS-31408-100
  - PACKAGING SPECIFICATION: SEE CHART
2. DESIGN: MATERIALS:
- SHROUD (PLASTIC HOUSING):  
RESIN - SPS 30%GF - 20% REGRIND MAX. BY WEIGHT
  - 0.64MM PINS:  
BASE MATERIAL: C26000  
PLATING TYPE: AS NOTED
  - PIN ALIGNMENT PLATE: NYLAR
3. PLATING REQUIREMENTS:
- UNDERPLATING - OVERALL NICKEL
  - OVERPLATING - OVERALL TIN
4. INTERFACE: USCAR  
064-U-008-2-202  
064-U-012-2-203  
064-U-016-2-203  
064-U-020-2-202  
SOME CHAMBERS HAVE BEEN MODIFIED TO IMPROVE POLARIZATION EFFECTIVENESS. SEE AS-34729-002/AS-31408-100.

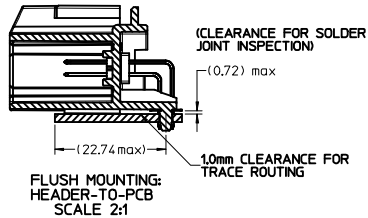
<b>UPDATED DIMENSIONS</b> EC NO: UAU2007-1044 DRAWN BY: FISCHER01 2017/05/11 CHKD: APPR:RB/MAJAN 2017/05/15 DESCRIPTION:	<b>QUALITY SYMBOLS</b> 	<b>GENERAL TOLERANCES (UNLESS SPECIFIED)</b> <table border="1"> <tr><th></th><th>mm</th><th>INCH</th></tr> <tr><td>4 PLACES</td><td>±.005</td><td>±.0005</td></tr> <tr><td>3 PLACES</td><td>±.008</td><td>±.0008</td></tr> <tr><td>2 PLACES</td><td>±.013</td><td>±.0013</td></tr> <tr><td>1 PLACE</td><td>±.025</td><td>±.0025</td></tr> </table>		mm	INCH	4 PLACES	±.005	±.0005	3 PLACES	±.008	±.0008	2 PLACES	±.013	±.0013	1 PLACE	±.025	±.0025	<b>DIMENSION STYLE</b> MM ONLY SCALE 2:1 DESIGN UNITS METRIC THIRD ANGLE PROJECTION	DRAWN BY: MBAILEY DATE: 10/02/06 CHECKED BY: EDILLON DATE: 04/18/07 APPROVED BY: SMARCEAU DATE: 2010/11/04 MATERIAL NO. SEE CHART DOCUMENT NO. SD-34691-100	TITLE: STAC64 SINGLE BAY RIGHT ANGLE ASSEMBLY SALES DRAWING MOLEX INCORPORATED SHEET NO. 1 OF 2
		mm	INCH																	
4 PLACES	±.005	±.0005																		
3 PLACES	±.008	±.0008																		
2 PLACES	±.013	±.0013																		
1 PLACE	±.025	±.0025																		
DRAFT WHERE APPLICABLE MUST REMAIN WITHIN DIMENSIONS		THIS DRAWING CONTAINS INFORMATION THAT IS PROPRIETARY TO MOLEX INCORPORATED AND SHOULD NOT BE USED WITHOUT WRITTEN PERMISSION																		

CKT SIZE	DIM 'A'	DIM 'B'	DIM 'C'	DIM 'D'
20	34.04	31.57	27.94	25.54
16	28.96	26.49	22.86	20.46
12	23.88	21.41	17.78	15.38
8	18.80	16.53	12.70	10.30

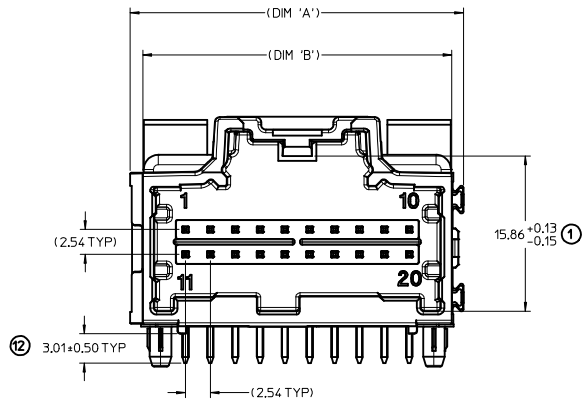
### RECOMMENDED PCB LAYOUT



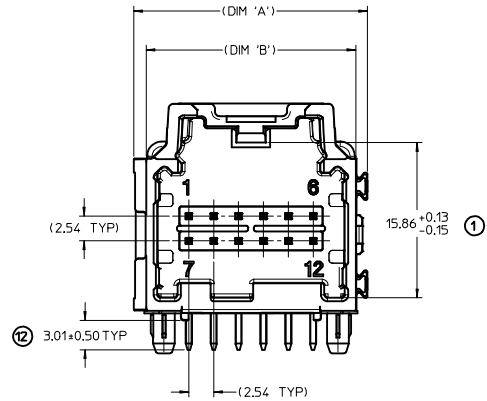
POST HOLE TABLE	
FOR DIM E:	
PRESS FIT	$\phi 2.60$
DROP IN	$\phi 3.05$



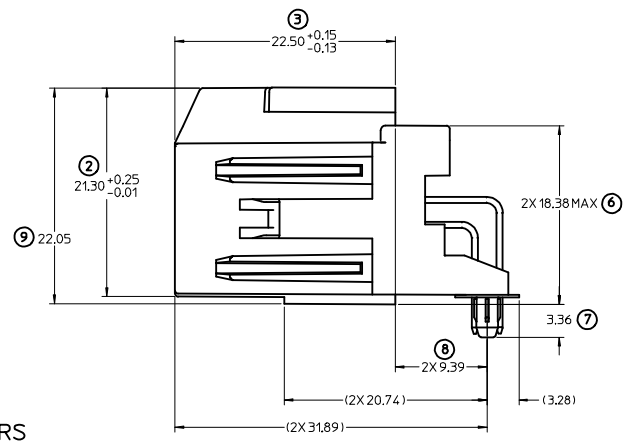
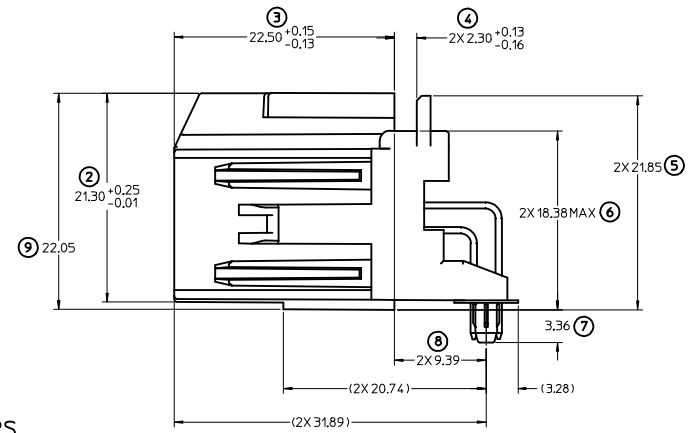
\*RECOMMENDED FOR WAVE SOLDER\*  
 FOR REFLOW CAPABLE PLASTIC PAP SEE:  
 SD-34691-600



LAYOUT FOR 16 & 20 CKT. HEADERS  
(20 CKT. OPTION 'A' SHOWN)

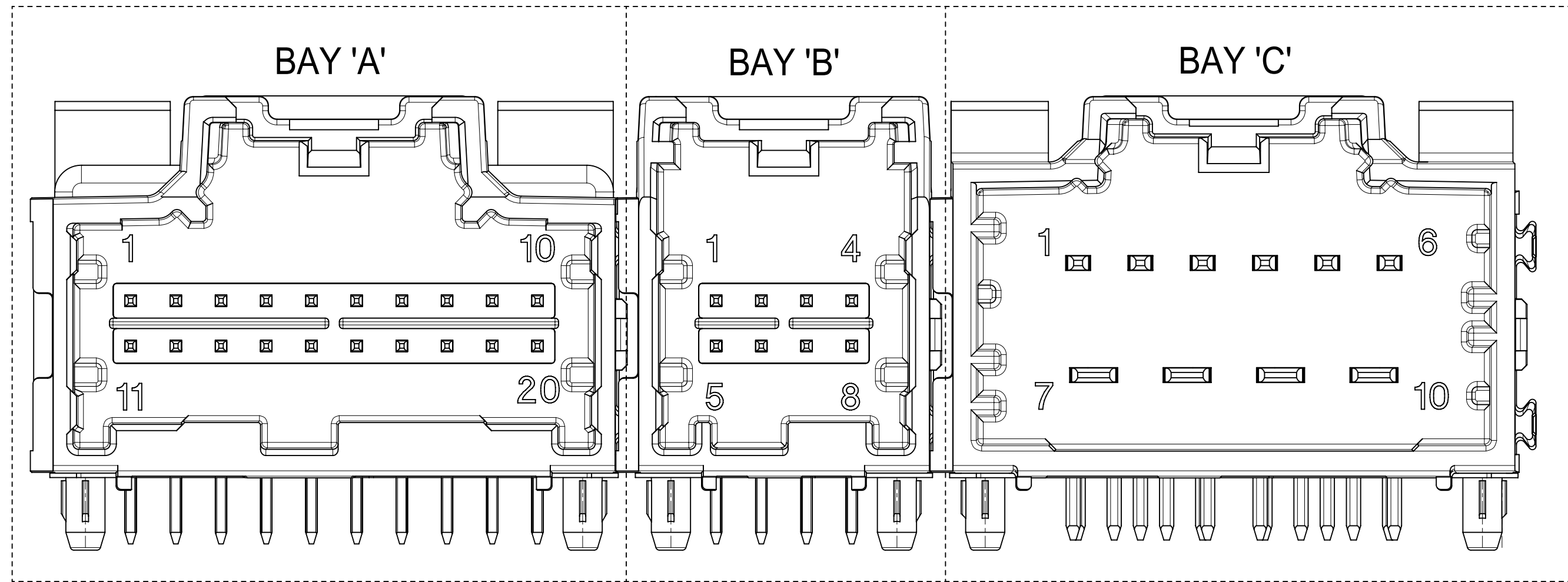


LAYOUT FOR 8 & 12 CKT. HEADERS  
(12 CKT. OPTION 'A' SHOWN)



REV	DESCRIPTION	QUALITY SYMBOLS	GENERAL TOLERANCES (UNLESS SPECIFIED)		DIMENSION STYLE		SCALE	DESIGN UNITS	THIRD ANGLE PROJECTION
			mm	INCH	MM ONLY	DATE			
1	UPDATED DIMENSIONS	▽=0	4 PLACES	±	mm	MM ONLY	4:1	METRIC	STAC64 SINGLE BAY RIGHT ANGLE ASSEMBLY SALES DRAWING MOLEX INCORPORATED
2	EC NG: UAU2017-1044	▽=0	3 PLACES	±	mm	MM ONLY	4:1	METRIC	
3	DRWN: FISCHER01 2017/05/11		2 PLACES	±	0.13	MM ONLY	4:1	METRIC	MOLEX INCORPORATED SD-34691-100
4	CHKD: APPR: BALMAN 2017/05/15		1 PLACE	±	0.25	MM ONLY	4:1	METRIC	
			ANGULAR		±	3°			SHEET NO. 2 OF 2
			DRAFT WHERE APPLICABLE						
			MUST REMAIN WITHIN DIMENSIONS						THIS DRAWING CONTAINS INFORMATION THAT IS PROPRIETARY TO MOLEX INCORPORATED AND SHOULD NOT BE USED WITHOUT WRITTEN PERMISSION

# 3-BAY STAC64 RIGHT ANGLE HEADER ASSEMBLY (P/N: 34708-3040 SHOWN)



NOTES: VALID UNLESS OTHERWISE SPECIFIED

1. GENERAL:

a. CONNECTOR HEADER MUST BE VALIDATED TO THE FOLLOWING FUNCTIONAL REQUIREMENTS:

PRODUCT SPECIFICATION:  
8-20 CKT 0.64 PRODUCT SPEC: PS-34729-020/PS-31408-100  
10/14 CKT HYBRID PRODUCT SPEC: PS-31372-100

b. APPLICATION REQUIREMENTS (REFERENCE ONLY):

APPLICATION SPECIFICATION: AS-34729-020/AS-31408-100

c. PACKAGING SPECIFICATION PER MOLEX DRAWING PK-31300-892 (TRAY)

d. PACKAGING SPECIFICATION PER MOLEX DRAWING PK-31301-063 (TUBE)

2. DESIGN: MATERIALS:

a. SHROUD (PLASTIC HOUSING):

RESIN - SPS 30%GF  
COLOR:  
POL A - BLACK  
POL B - GRAY  
POL C - BROWN  
POL D - GREEN

b. 0.64mm PINS:

BASE MATERIAL: C26000  
PLATING TYPE: AS NOTED

1.50/2.80mm BLADES:  
BASE MATERIAL: C19400  
PLATING TYPE: AS NOTED

3. PLATING REQUIREMENTS:

a. UNDERPLATING - OVERALL NICKEL

b. OVERPLATING - OVERALL TIN

4. FOR DESCRIPTION OF INDIVIDUAL BAYS, REFER TO THE FOLLOWING

SINGLE BAY DRAWINGS:  
8-20 CKT 0.64: SD-34691-100  
10 CKT HYBRID: SD-34696-100  
14 CKT HYBRID: SD-34773-010

SYMBOLS										THIS DRAWING CONTAINS INFORMATION THAT IS PROPRIETARY TO MOLEX ELECTRONIC TECHNOLOGIES, LLC AND SHOULD NOT BE USED WITHOUT WRITTEN PERMISSION									
	= 0	DIMENSION UNITS	mm	SCALE	1:1	CURRENT REV DESC:				<b>molex</b>									
	= 0	GENERAL TOLERANCES (UNLESS SPECIFIED)				EC NO: 612618													
	= 0	ANGULAR TOL ± 1.0°				DRWN: SHANDITHAVAL 2019/02/22				3-BAY STAC64 RIGHT ANGLE HEADER ASSEMBLY SALES DRAWING									
	= 0	4 PLACES ±				CHK'D: RBAUMAN 2019/02/23													
	= 0	3 PLACES ±				APPR: RBAUMAN 2019/02/23				PRODUCT CUSTOMER DRAWING									
	= 0	2 PLACES ± 0.13				INITIAL REVISION:													
	= 0	1 PLACE ± 0.25				DRWN: JDUNAJ 2009/03/10				DOCUMENT NUMBER <b>SD-34708-300</b>									
	= 0	0 PLACES ±				APPR: SMARCEAU 2009/03/11													
	= 0	DRAFT WHERE APPLICABLE MUST REMAIN WITHIN DIMENSIONS				THIRD ANGLE PROJECTION		DRAWING		SERIES		MATERIAL NUMBER		CUSTOMER		SHEET NUMBER			
	= 0					<b>D-SIZE</b>		<b>34708</b>		GENERAL MARKET		1 OF 6							

DIMENSIONAL CHART FOR MULTIBAY CONFIGURATION:

3 BAY PART NUMBER (TUBE PKG)	3 BAY PART NUMBER (TRAY PKG)	BAY A			BAY B			BAY C			DIM 'A'	DIM 'B'	DIM 'C'	DIM 'D'	DIM 'E'
		CKT	TYPE	POL	CKT	TYPE	POL	CKT	TYPE	POL					
	34708-3000	16	0.64mm	B	16	0.64mm	A	12	0.64mm	B	79.52	77.05	22.86	22.86	17.78
	34708-3001	20	0.64mm	A	20	0.64mm	B	12	0.64mm	A	89.86	87.21	27.94	27.94	17.78
	34708-3002	20	0.64mm	A	20	0.64mm	B	14	HYBRID	C	99.84	97.37	27.94	27.94	27.94
	34708-3003	10	HYBRID	A	16	0.64mm	A	8	0.64mm	C	79.52	77.05	27.94	22.86	12.70
	34708-3004	16	0.64mm	A	16	0.64mm	B	16	0.64mm	C	84.60	82.13	22.86	22.86	22.86
	34708-3006	20	0.64mm	D	20	0.64mm	B	20	0.64mm	C	99.84	97.37	27.94	27.94	27.94
TBD	34708-3007	20	0.64mm	A	12	0.64mm	A	20	0.64mm	D	89.68	87.21	27.94	17.78	27.94
TBD	347083008	20	0.64mm	A	10	HYBRID	B	10	HYBRID	A	99.84	97.37	27.94	27.94	27.94
34708-8010	34708-3010	20	0.64mm	A	20	0.64mm	B	16	0.64mm	A	94.76	92.29	27.94	27.94	22.86
TBD	34708-3020	10	HYBRID	A	20	0.64mm	B	20	0.64mm	C	99.84	97.37	27.94	27.94	27.94
TBD	34708-3021	10	HYBRID	A	20	0.64mm	C	20	0.64mm	D	99.84	97.37	27.94	27.94	27.94
TBD	34708-3022	20	0.64mm	B	16	0.64mm	C	10	HYBRID	A	94.76	92.29	27.94	22.86	27.94
TBD	34708-3030	16	0.64mm	A	12	0.64mm	A	10	HYBRID	A	84.60	82.13	22.86	17.78	27.94
TBD	34708-3040	20	0.64mm	A	8	0.64mm	A	10	HYBRID	A	84.60	82.13	27.94	12.70	27.94
TBD	34708-3050	10	HYBRID	A	16	0.64mm	B	16	0.64mm	C	89.68	87.21	27.94	22.86	22.86
TBD	34708-3060	16	0.64mm	A	20	0.64mm	C	20	0.64mm	D	94.76	92.29	22.86	27.94	27.94
34708-8070	34708-3070	20	0.64mm	A	20	0.64mm	B	10	HYBRID	A	99.84	97.37	27.94	27.94	27.94
TBD	34708-3071	20	0.64mm	A	10	HYBRID	A	10	HYBRID	B	99.84	97.37	27.94	27.94	27.94
TBD	34708-3080	12	0.64mm	A	12	0.64mm	B	16	0.64mm	A	74.44	71.97	17.78	17.78	22.86
TBD	34708-3081	20	0.64mm	D	12	0.64mm	B	20	0.64mm	C	89.68	87.21	27.94	17.78	27.94
TBD	34708-3082	12	0.64mm	C	8	0.64mm	A	8	0.64mm	B	59.20	56.73	17.78	12.70	12.70
TBD	34708-3083	8	0.64mm	C	16	0.64mm	B	16	0.64mm	C	74.44	71.97	12.70	22.86	22.86
TBD	34708-3084	16	0.64mm	A	8	0.64mm	A	8	0.64mm	B	64.28	61.81	22.86	12.70	12.70
TBD	34708-3085	20	0.64mm	A	20	0.64mm	B	20	0.64mm	C	99.84	97.37	27.94	27.94	27.94
TBD	34708-3086	20	0.64mm	A	20	0.64mm	B	8	0.64mm	A	84.60	82.13	27.94	27.94	12.70
TBD	34708-3087	20	0.64mm	A	16	0.64mm	A	8	0.64mm	A	79.52	77.05	27.94	22.86	12.70
TBD	34708-3088	12	0.64mm	A	16	0.64mm	A	12	0.64mm	B	74.44	71.97	17.78	22.86	17.78
TBD	34708-3089	16	0.64mm	A	16	0.64mm	B	20	0.64mm	A	89.68	87.21	22.86	22.86	27.94
TBD	34708-3090	16	0.64mm	C	16	0.64mm	A	8	0.64mm	B	74.44	71.97	22.86	22.86	12.70
TBD	34708-3091	20	0.64mm	C	12	0.64mm	C	16	0.64mm	B	84.60	82.13	27.94	17.78	22.86
TBD	34708-3092	12	0.64mm	B	8	0.64mm	C	20	0.64mm	D	74.44	71.97	17.78	12.70	27.94
TBD	34708-3093	16	0.64mm	B	16	0.64mm	A	8	0.64mm	A	74.44	71.97	22.86	22.86	12.70
TBD	34708-3094	20	0.64mm	D	20	0.64mm	B	8	0.64mm	A	84.60	82.13	27.94	27.94	12.70
TBD	34708-3095	20	0.64mm	A	16	0.64mm	C	12	0.64mm	B	84.60	82.13	27.94	22.86	17.78
TBD	34708-3096	16	0.64mm	A	16	0.64mm	B	20	0.64mm	C	89.68	87.21	22.86	22.86	27.94
TBD	34708-3097	16	0.64mm	C	12	0.64mm	B	20	0.64mm	A	84.60	82.13	22.86	17.78	27.94
TBD	34708-3098	20	0.64mm	B	20	0.64mm	C	20	0.64mm	D	99.84	97.37	27.94	27.94	27.94

SYMBOLS	THIS DRAWING CONTAINS INFORMATION THAT IS PROPRIETARY TO MOLEX ELECTRONIC TECHNOLOGIES, LLC AND SHOULD NOT BE USED WITHOUT WRITTEN PERMISSION	
	DIMENSION UNITS	SCALE
▽ = 0	mm	1:1
▽ = 0	GENERAL TOLERANCES (UNLESS SPECIFIED)	
▽ = 0	ANGULAR TOL ± 1.0°	
▽ = 0	4 PLACES	±
▽ = 0	3 PLACES	±
▽ = 0	2 PLACES	± 0.13
▽ = 0	1 PLACE	± 0.25
▽ = 0	0 PLACES	±
■ = 0	DRAFT WHERE APPLICABLE MUST REMAIN WITHIN DIMENSIONS	
▽ = 0	THIRD ANGLE PROJECTION	DRAWING
	D-SIZE	SERIES
	34708	
CURRENT REV DESC:		
EC NO: 612618		
DRWN: SHANDITHAVAL 2019/02/22		
CHK'D: RBAUMAN 2019/02/23		
APPR: RBAUMAN 2019/02/23		
INITIAL REVISION:		
DRWN: JDUNAJ 2009/03/10		
APPR: SMARCEAU 2009/03/11		
DOCUMENT NUMBER	DOC TYPE	DOC PART
SD-34708-300	PSD	001
REVISION		
U8		
MATERIAL NUMBER	CUSTOMER	SHEET NUMBER
	GENERAL MARKET	2 OF 6



3-BAY STAC64 RIGHT ANGLE HEADER ASSEMBLY SALES DRAWING

PRODUCT CUSTOMER DRAWING

DOCUMENT NUMBER	DOC TYPE	DOC PART	REVISION
SD-34708-300	PSD	001	U8

MATERIAL NUMBER	CUSTOMER	SHEET NUMBER
	GENERAL MARKET	2 OF 6

DIMENSIONAL CHART FOR MULTIBAY CONFIGURATION:

3 BAY PART NUMBER (TUBE PKG)	3 BAY PART NUMBER (TRAY PKG)	BAY A			BAY B			BAY C			DIM 'A'	DIM 'B'	DIM 'C'	DIM 'D'	DIM 'E'
		CKT	TYPE	POL	CKT	TYPE	POL	CKT	TYPE	POL					
	34708-3099	10	HYBRID	A	20	0.64mm	D	10	HYBRID	B	99.84	97.37	27.94	27.94	27.94

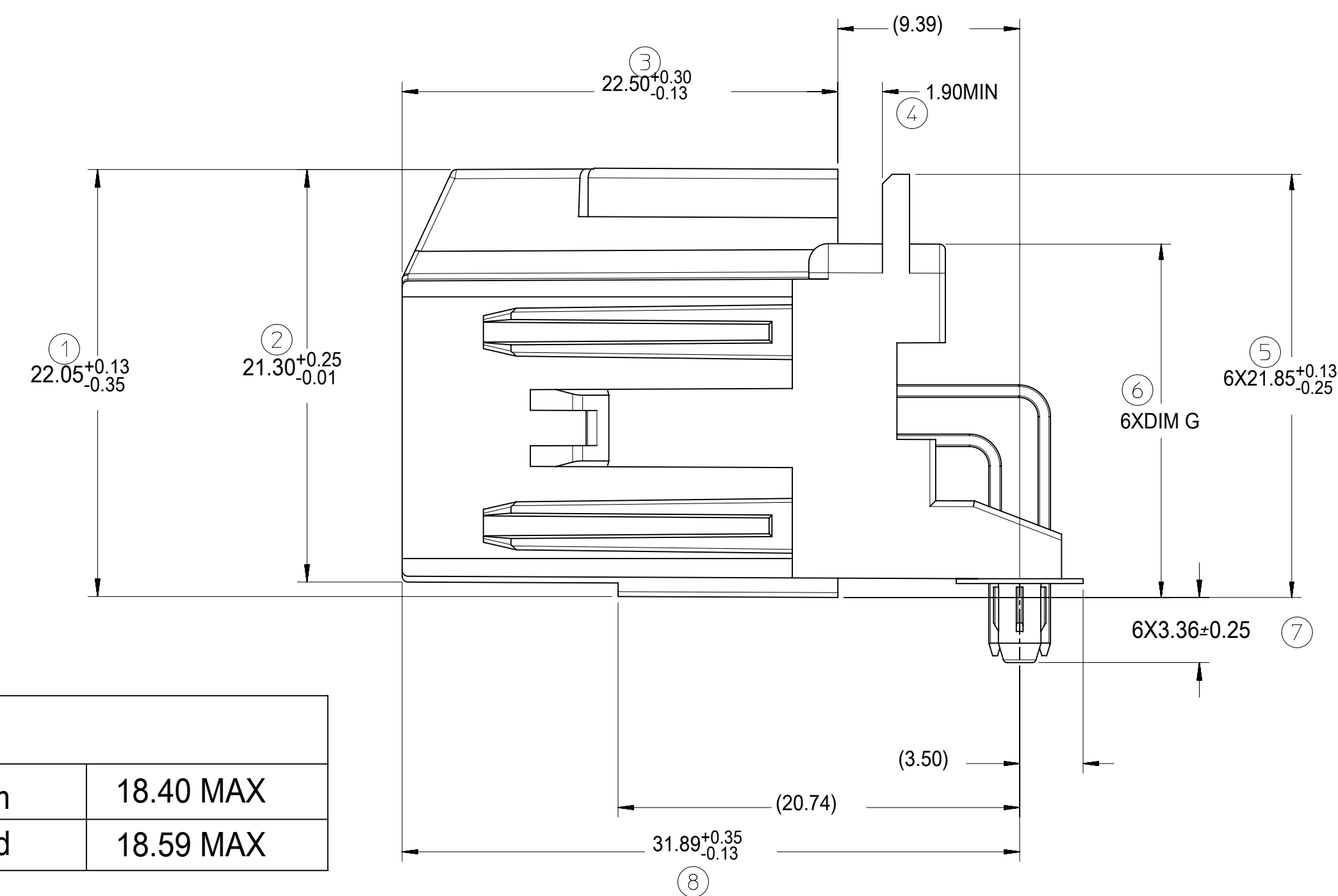
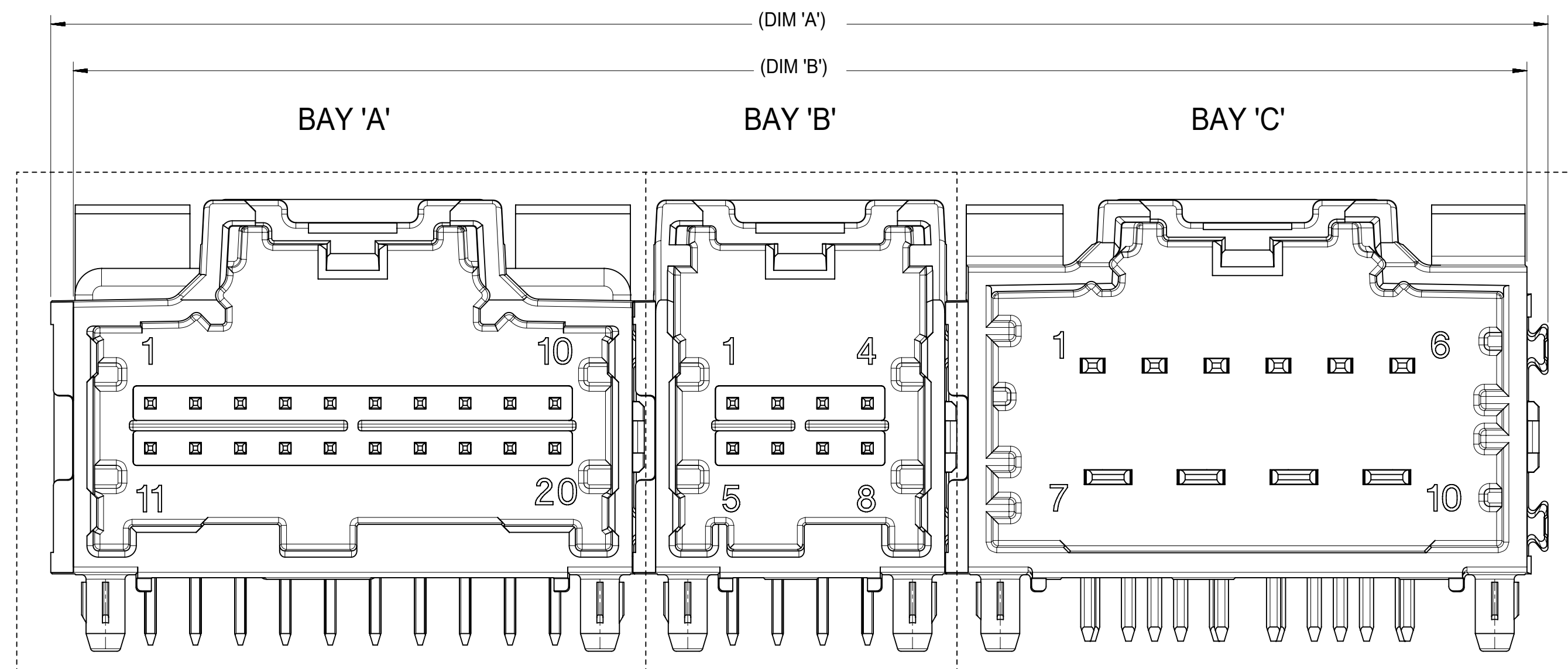
SYMBOLS	THIS DRAWING CONTAINS INFORMATION THAT IS PROPRIETARY TO MOLEX ELECTRONIC TECHNOLOGIES, LLC AND SHOULD NOT BE USED WITHOUT WRITTEN PERMISSION										
		DIMENSION UNITS	SCALE	CURRENT REV DESC:							
	= 0	mm	1:1	EC NO: 612618							
		GENERAL TOLERANCES (UNLESS SPECIFIED)		DRWN: SHANDITHAVAL 2019/02/22							
		ANGULAR TOL ± 1.0°		CHK'D: RBAUMAN 2019/02/23							
		4 PLACES ±	APPR: RBAUMAN 2019/02/23								
		3 PLACES ±	INITIAL REVISION:								
		2 PLACES ± 0.13	DRWN: JDUNAJ 2009/03/10								
		1 PLACE ± 0.25	APPR: SMARCEAU 2009/03/11								
		0 PLACES ±	DRAFT WHERE APPLICABLE MUST REMAIN WITHIN DIMENSIONS								
	DRAFT WHERE APPLICABLE MUST REMAIN WITHIN DIMENSIONS		THIRD ANGLE PROJECTION	DRAWING	SERIES	MATERIAL NUMBER	CUSTOMER	SHEET NUMBER			
= 0				D-SIZE	34708		GENERAL MARKET	6 OF 6			

**molex**

3-BAY STAC64 RIGHT ANGLE  
HEADER ASSEMBLY SALES DRAWING

PRODUCT CUSTOMER DRAWING

DOCUMENT NUMBER	DOC TYPE	DOC PART	REVISION
SD-34708-300	PSD	001	U8

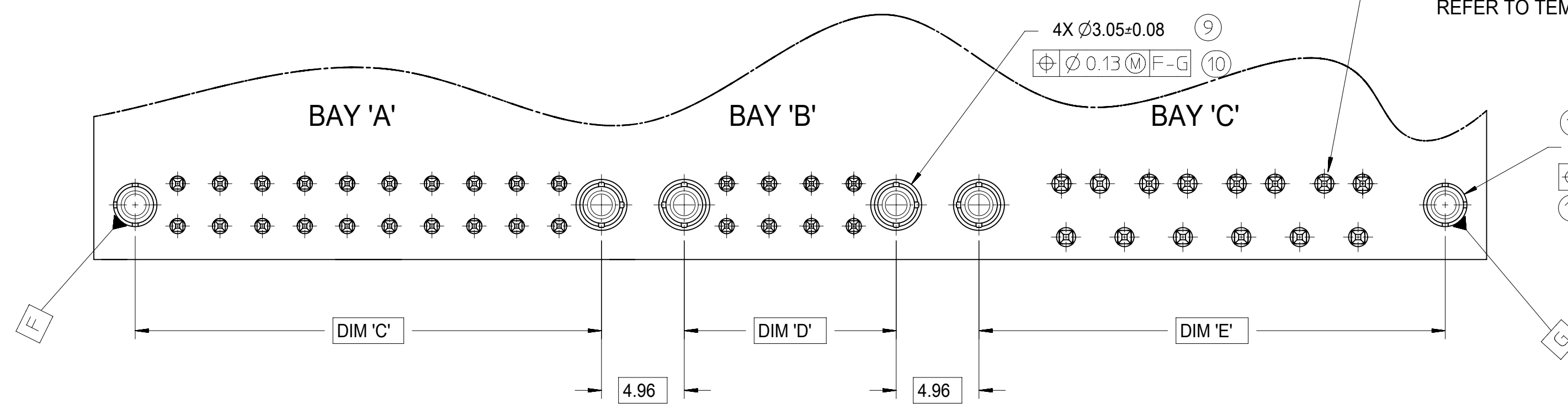


FOR DIM G:	
8-20CKT 0.64mm	18.40 MAX
10/14CKT Hybrid	18.59 MAX

**RECOMMENDED PCB LAYOUT**

INSERT NECESSARY BAYS USING CHART ON SHEET 2

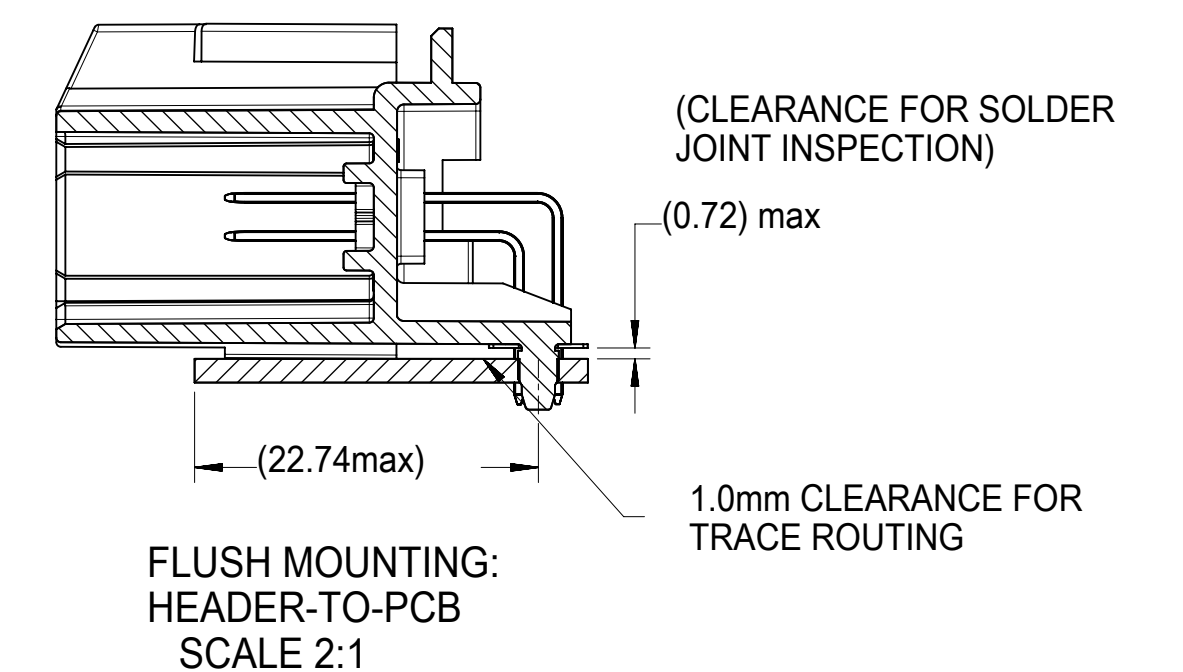
FOR PIN LOCATION, REFER TO TEMPLATES ON SHEET 5



**POST HOLE TABLE:**

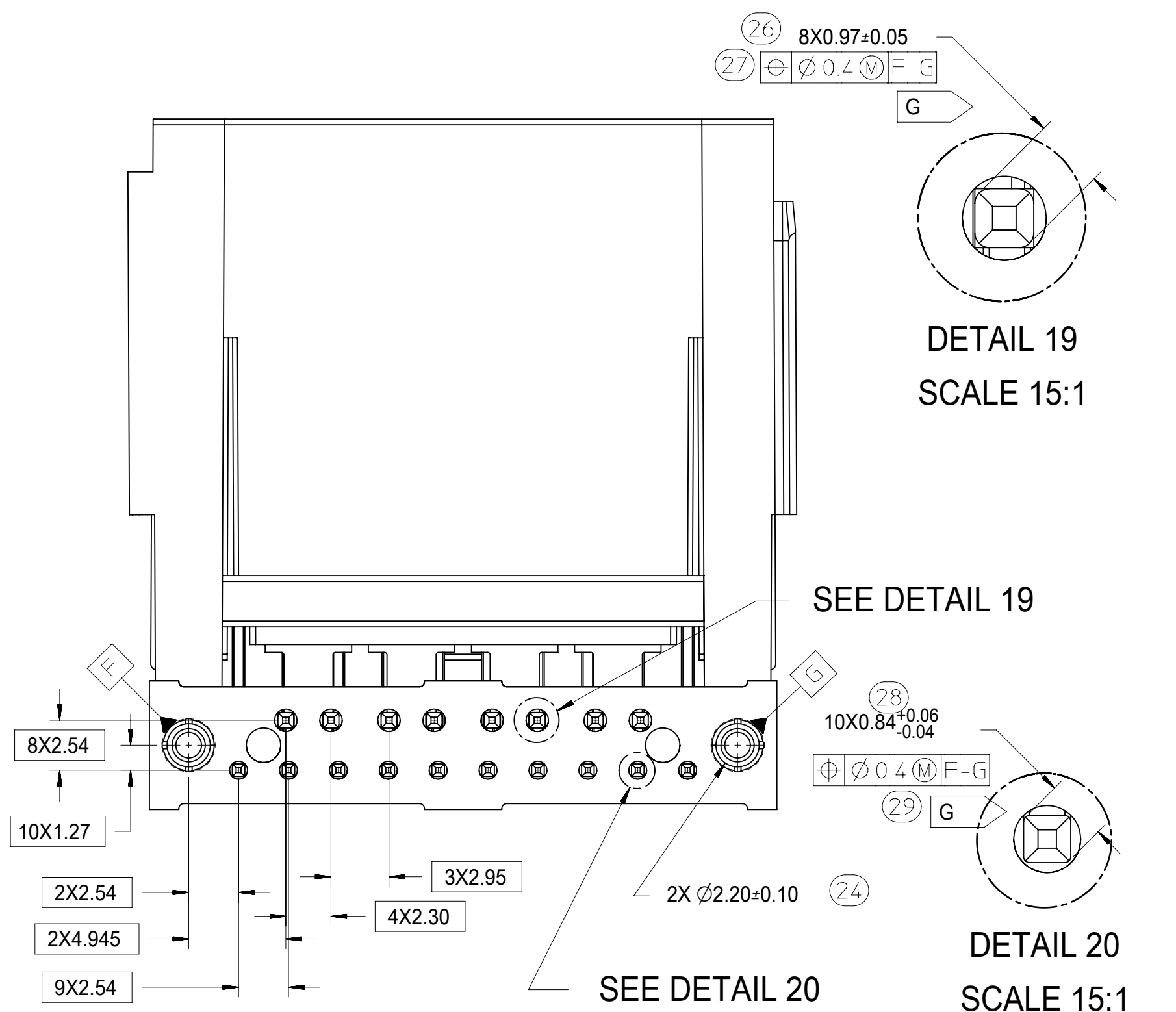
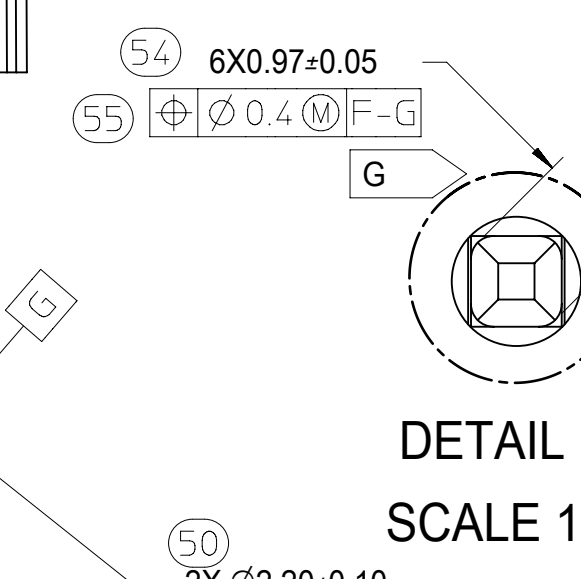
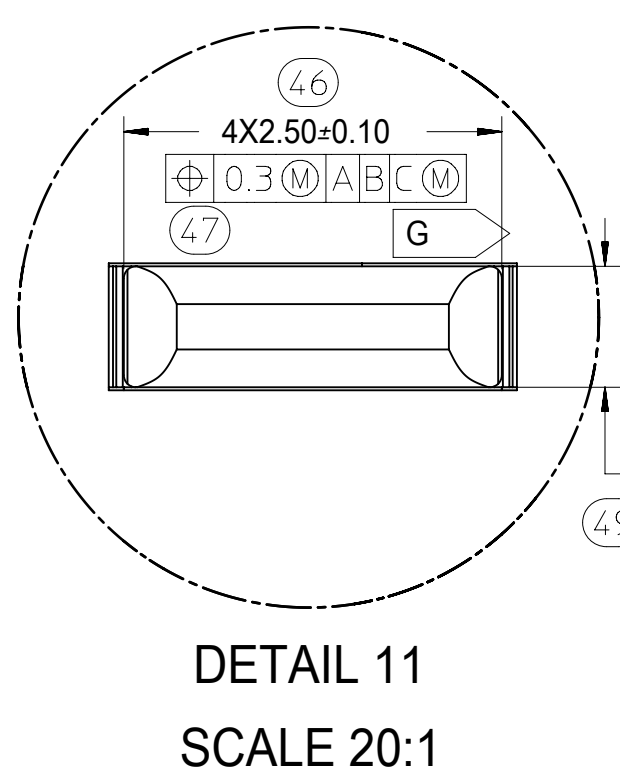
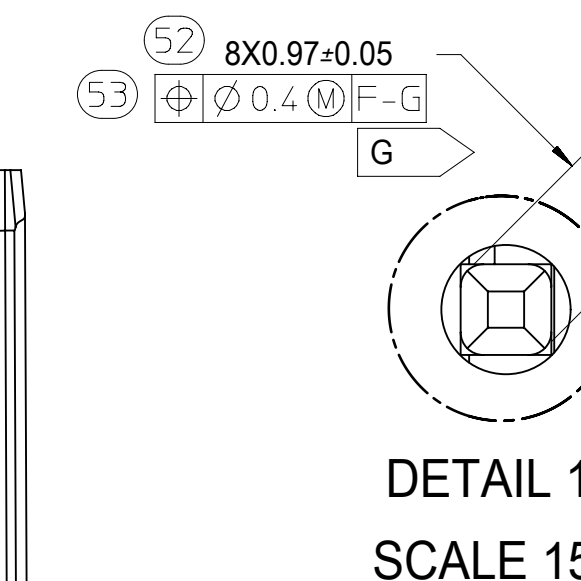
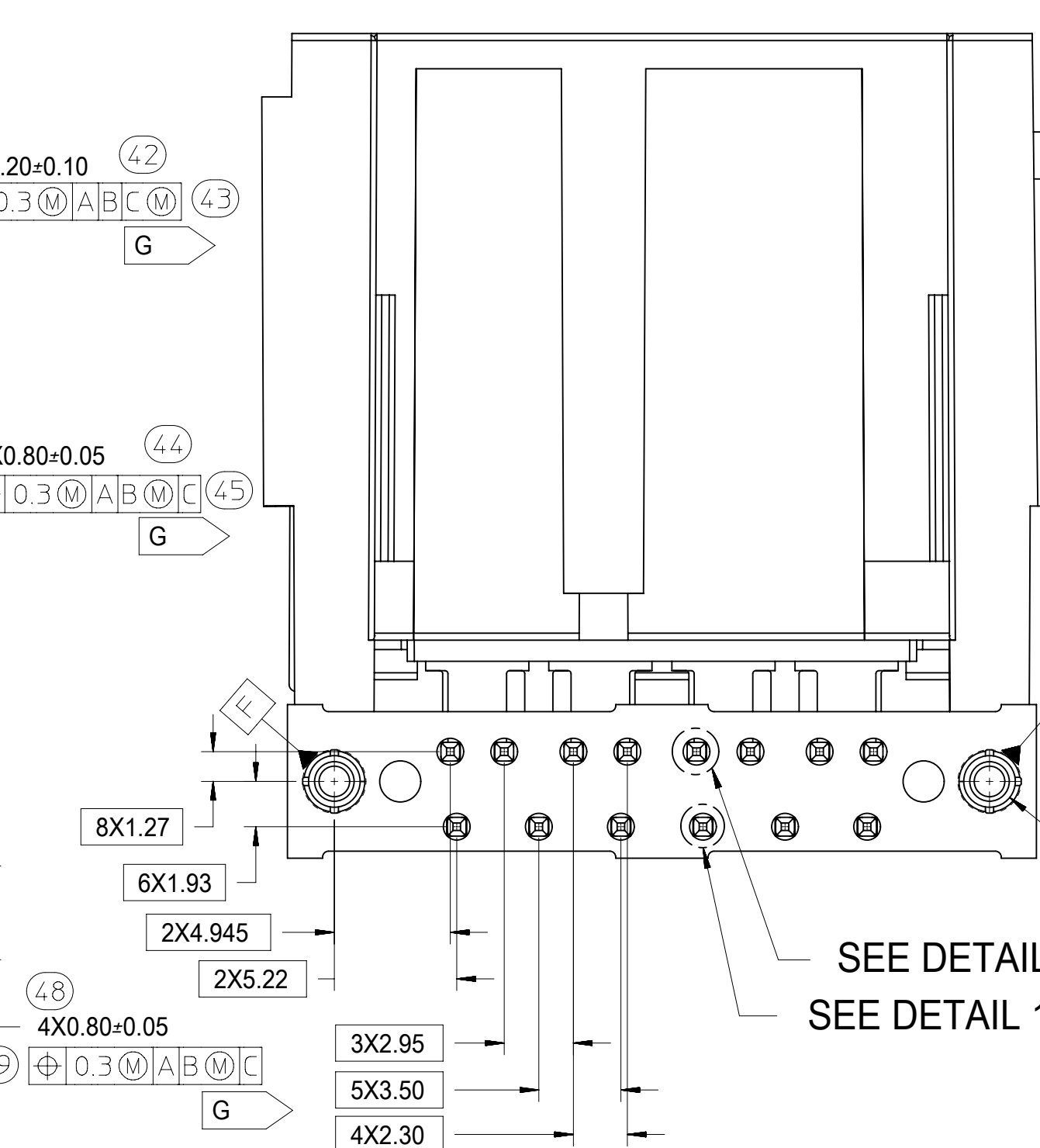
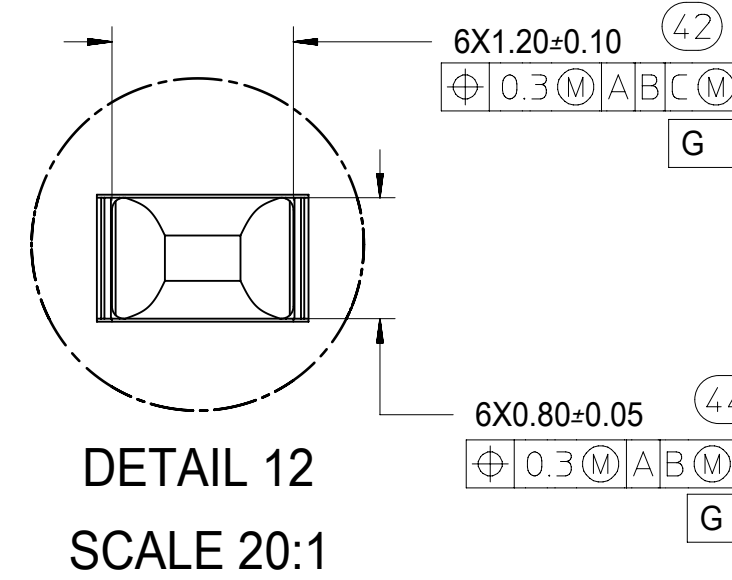
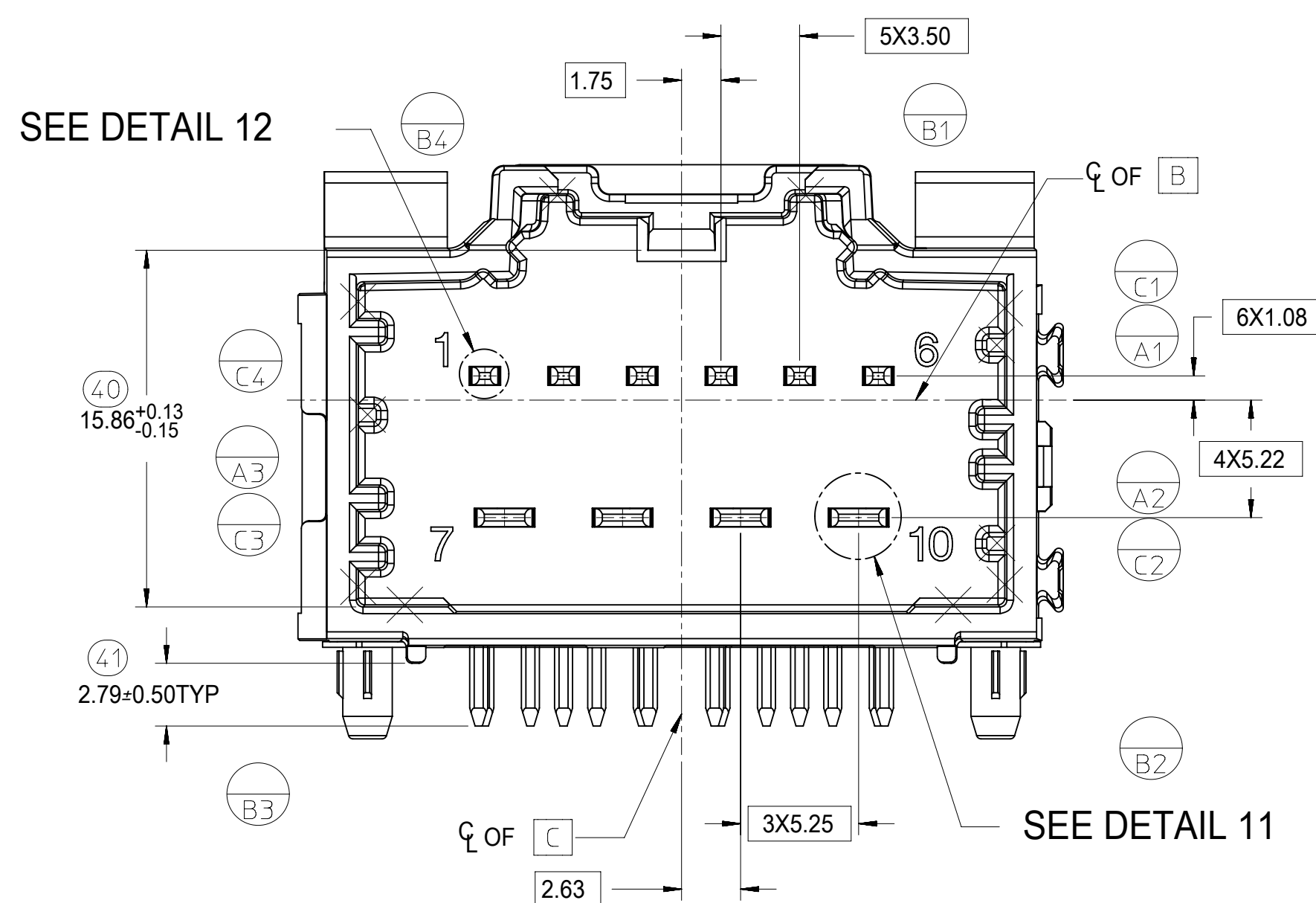
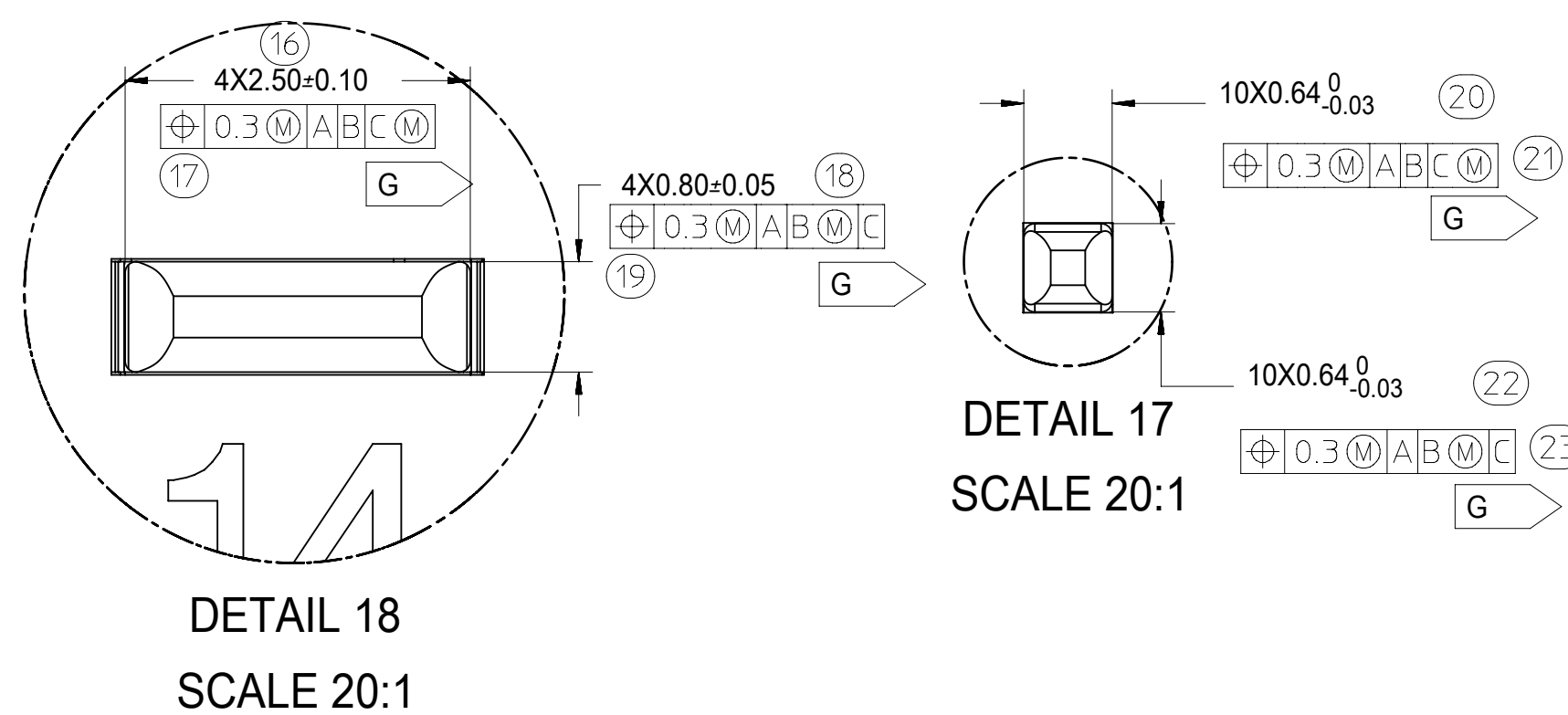
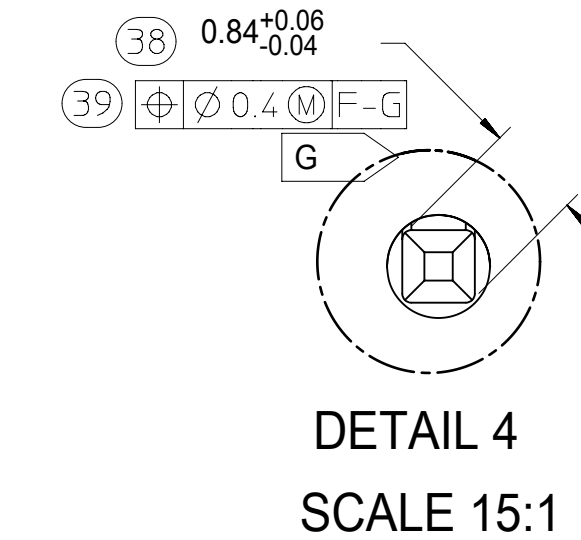
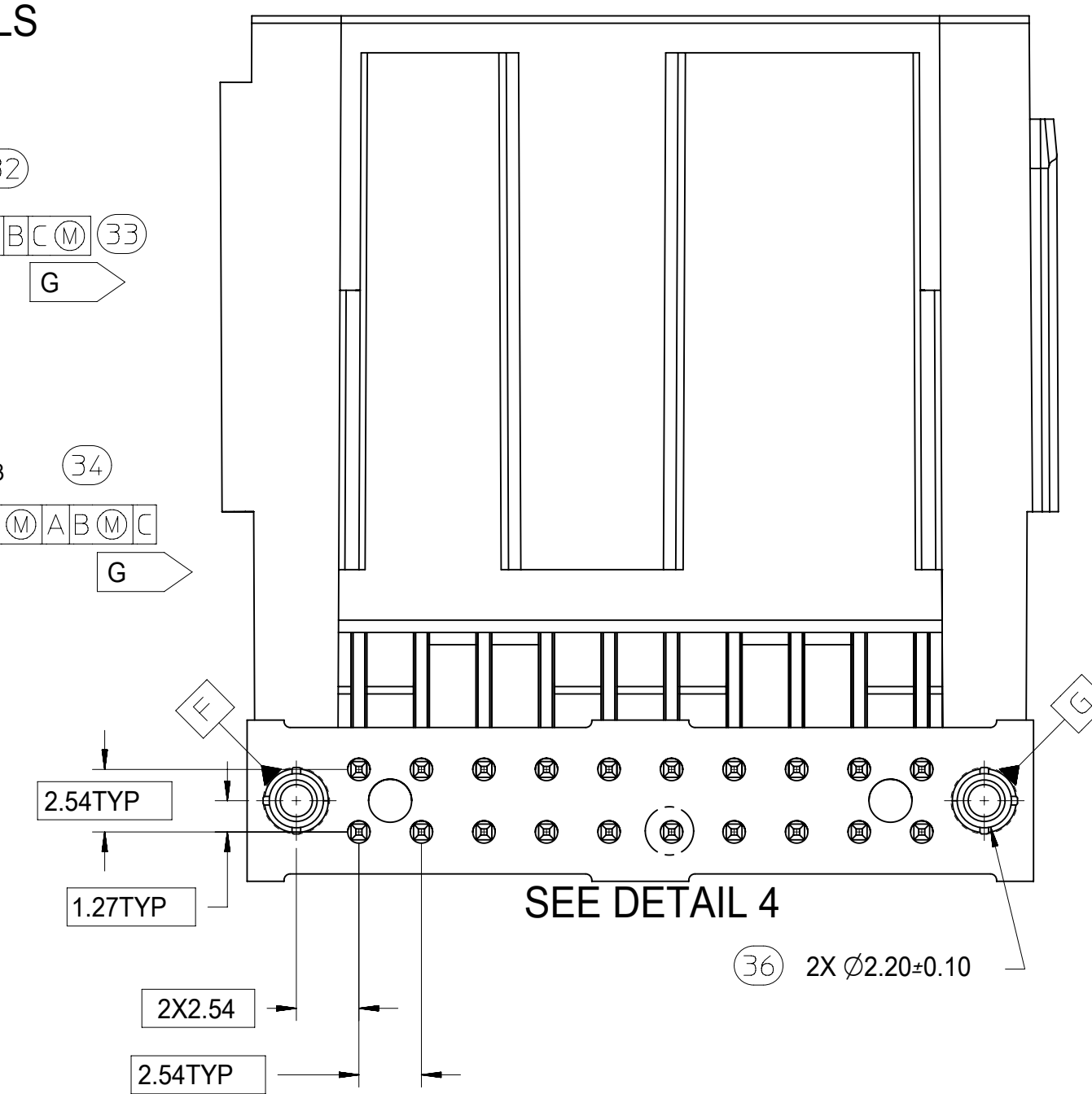
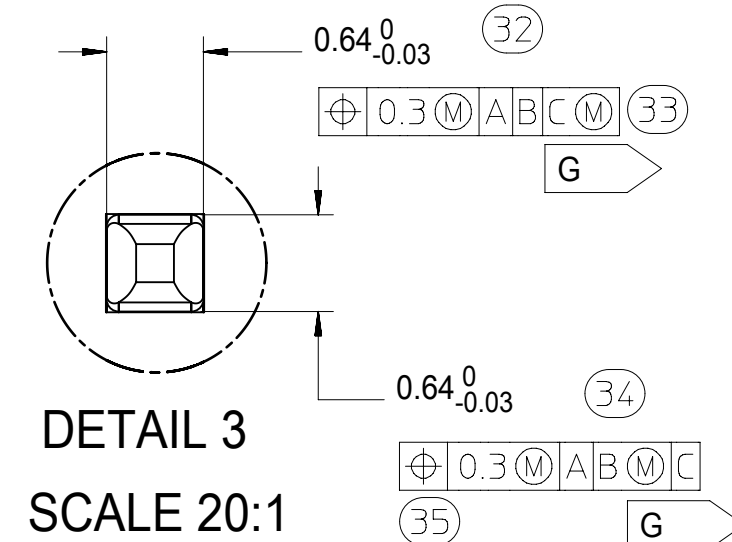
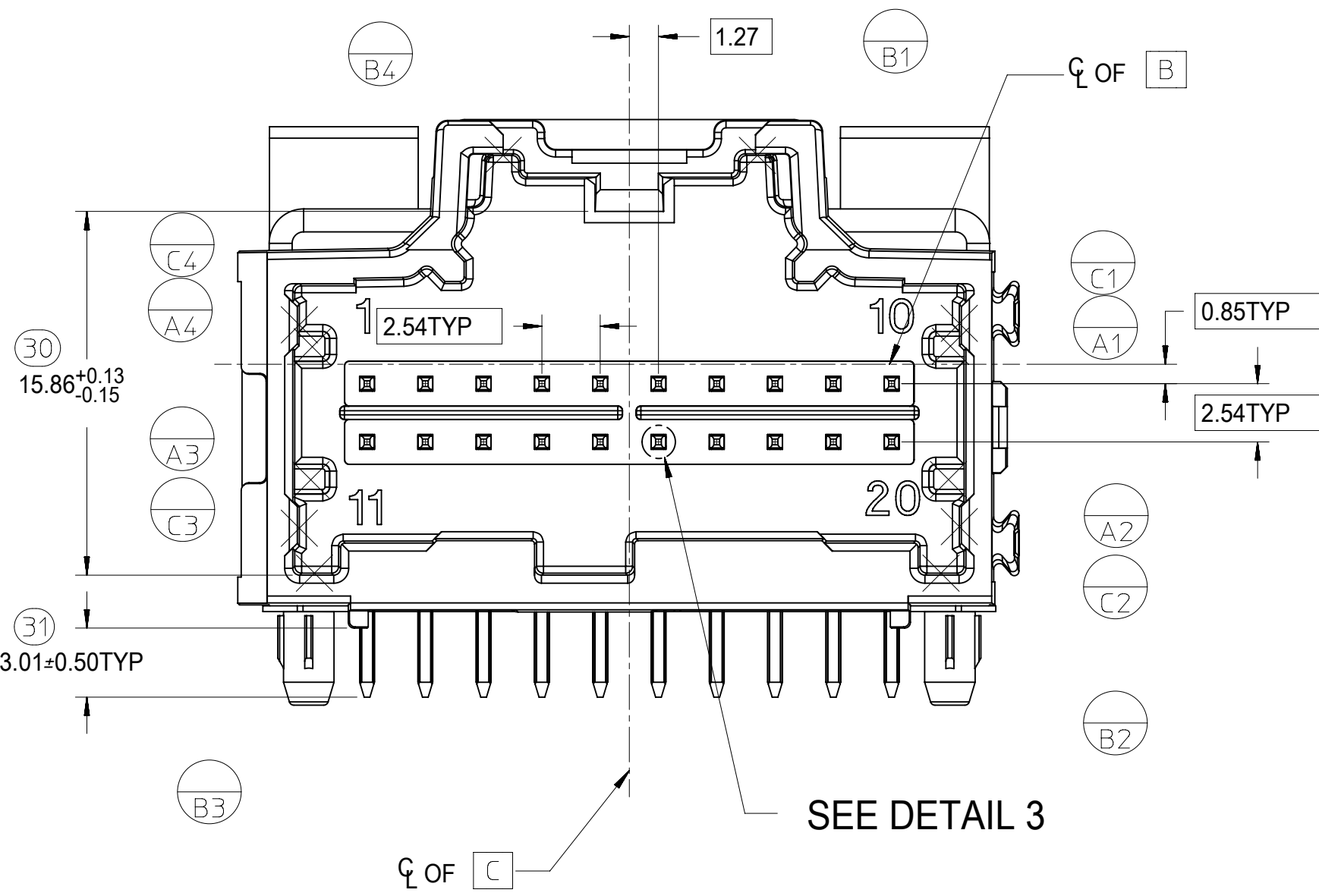
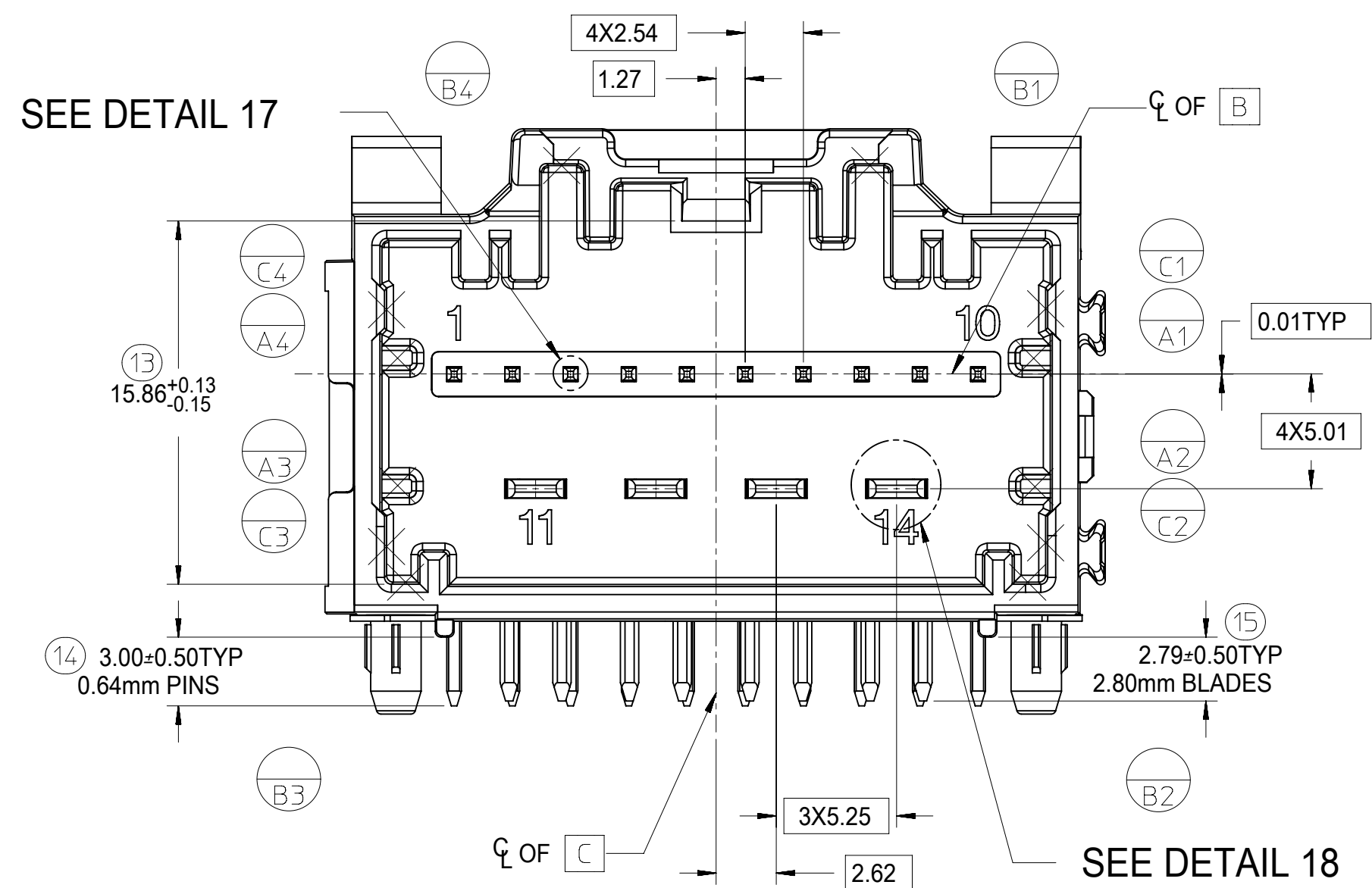
FOR DIM Z:	
PRESS FIT:	2.60
DROP IN:	3.05

**ALL CIRCUIT SIZES**



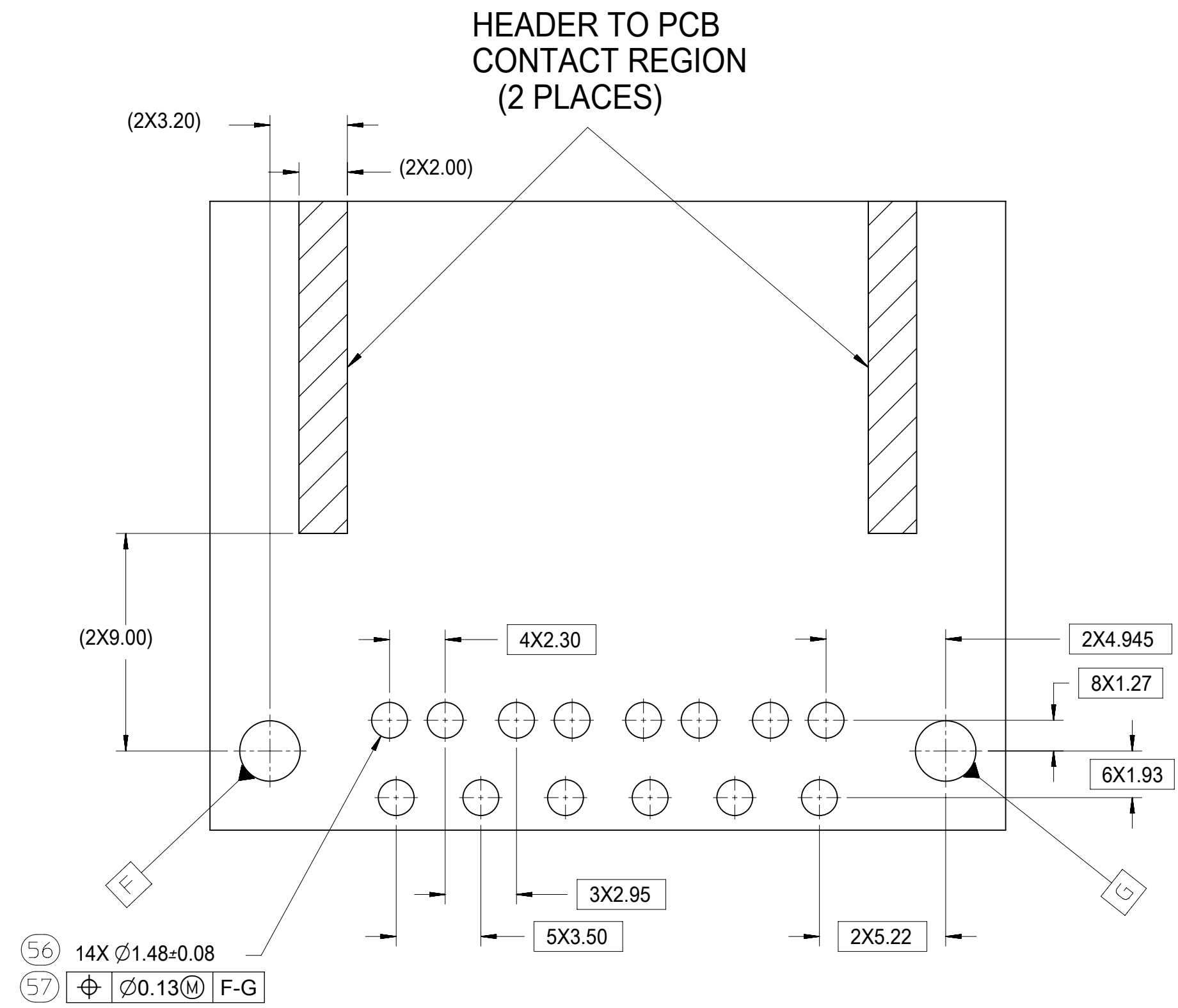
SYMBOLS	THIS DRAWING CONTAINS INFORMATION THAT IS PROPRIETARY TO MOLEX ELECTRONIC TECHNOLOGIES, LLC AND SHOULD NOT BE USED WITHOUT WRITTEN PERMISSION		CURRENT REV DESC:			
	DIMENSION UNITS	SCALE				
▽ = 0	mm	1:1				
▽ = 0	GENERAL TOLERANCES (UNLESS SPECIFIED)		EC NO: 612618			
▽ = 0	ANGULAR TOL ± 1.0°		DRWN: SHANDITHAVAL		2019/02/22	<b>molex</b> 3-BAY STAC64 RIGHT ANGLE HEADER ASSEMBLY SALES DRAWING PRODUCT CUSTOMER DRAWING
▽ = 0	4 PLACES ±		CHK'D: RBAUMAN		2019/02/23	
▽ = 0	3 PLACES ±		APPR: RBAUMAN		2019/02/23	
▽ = 0	2 PLACES ± 0.13		INITIAL REVISION:			
▽ = 0	1 PLACE ± 0.25		DRWN: JDUNAJ		2009/03/10	DOCUMENT NUMBER <b>SD-34708-300</b>
▽ = 0	0 PLACES ±		APPR: SMARCEAU		2009/03/11	
▽ = 0	DRAFT WHERE APPLICABLE MUST REMAIN WITHIN DIMENSIONS		THIRD ANGLE PROJECTION	DRAWING	SERIES	DOC TYPE DOC PART REVISION
				D-SIZE	34708	PSD 001 U8
						MATERIAL NUMBER CUSTOMER SHEET NUMBER
						GENERAL MARKET 3 OF 6

8-20 CKT 0.64mm HEADER DETAILS

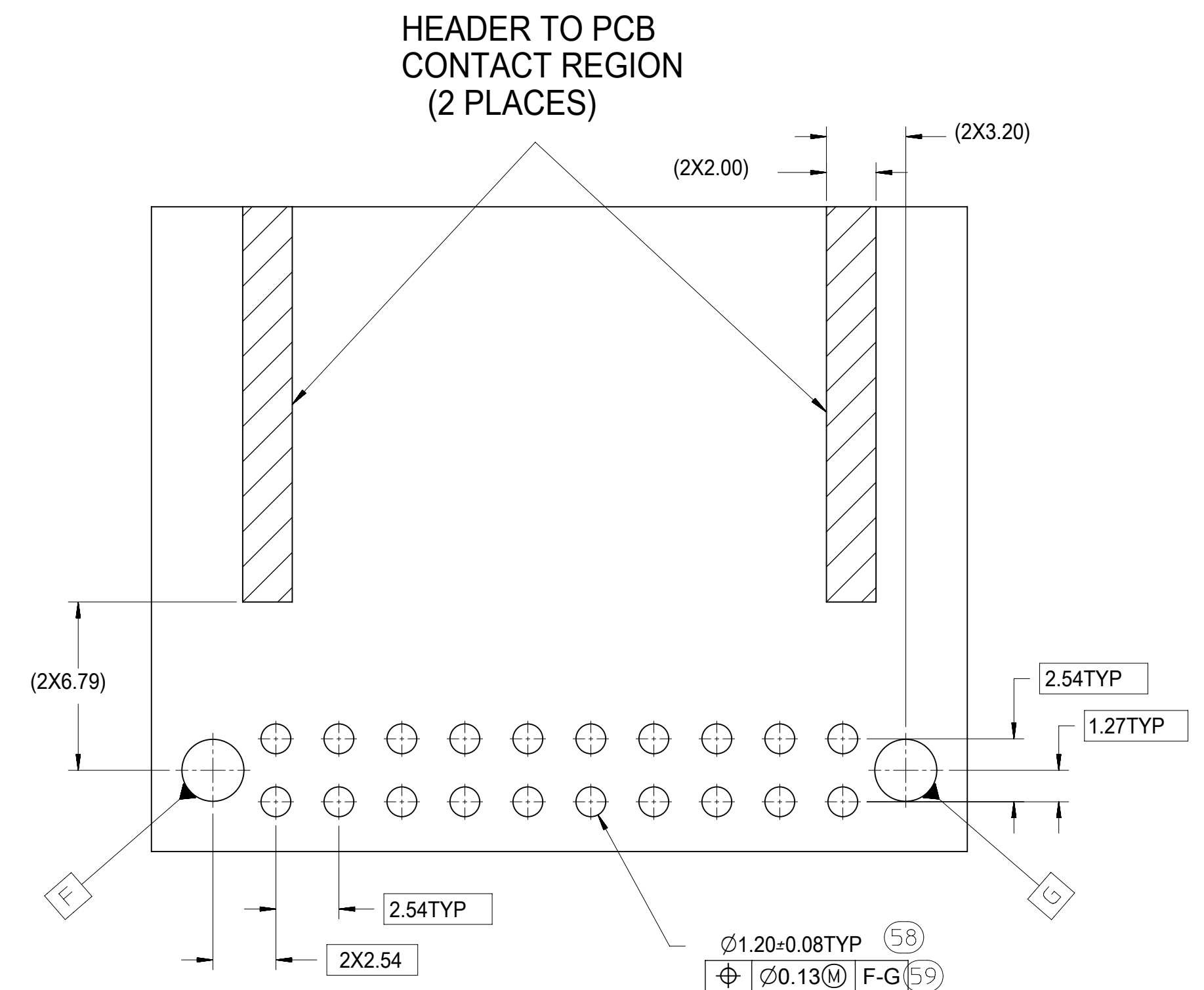


SYMBOLS	THIS DRAWING CONTAINS INFORMATION THAT IS PROPRIETARY TO MOLEX ELECTRONIC TECHNOLOGIES, LLC AND SHOULD NOT BE USED WITHOUT WRITTEN PERMISSION		CURRENT REV DESC:	
	DIMENSION UNITS	SCALE		
▽ = 0	mm	1:1		
▽ = 0	GENERAL TOLERANCES (UNLESS SPECIFIED)			
▽ = 0	ANGULAR TOL ± 1.0°			
▽ = 0	4 PLACES ±			
▽ = 0	3 PLACES ±			
▽ = 0	2 PLACES ± 0.13			
▽ = 0	1 PLACE ± 0.25			
▽ = 0	0 PLACES ±			
■ = 0	DRAFT WHERE APPLICABLE MUST REMAIN WITHIN DIMENSIONS		THIRD ANGLE PROJECTION	DRAWING SERIES
▽ = 0			D-SIZE	34708
EC NO: 612618			2019/02/22	
DRWN: SHANDITHAVAL			2019/02/23	
CHK'D: RBAUMAN			2019/02/23	
APPR: RBAUMAN			2019/02/23	
INITIAL REVISION:				
DRWN: JDUNAJ			2019/03/10	
APPR: SMARCEAU			2019/03/11	
DOCUMENT NUMBER		DOC TYPE	DOC PART	REVISION
SD-34708-300		PSD	001	U8
MATERIAL NUMBER		CUSTOMER		SHEET NUMBER
		GENERAL MARKET		4 OF 6

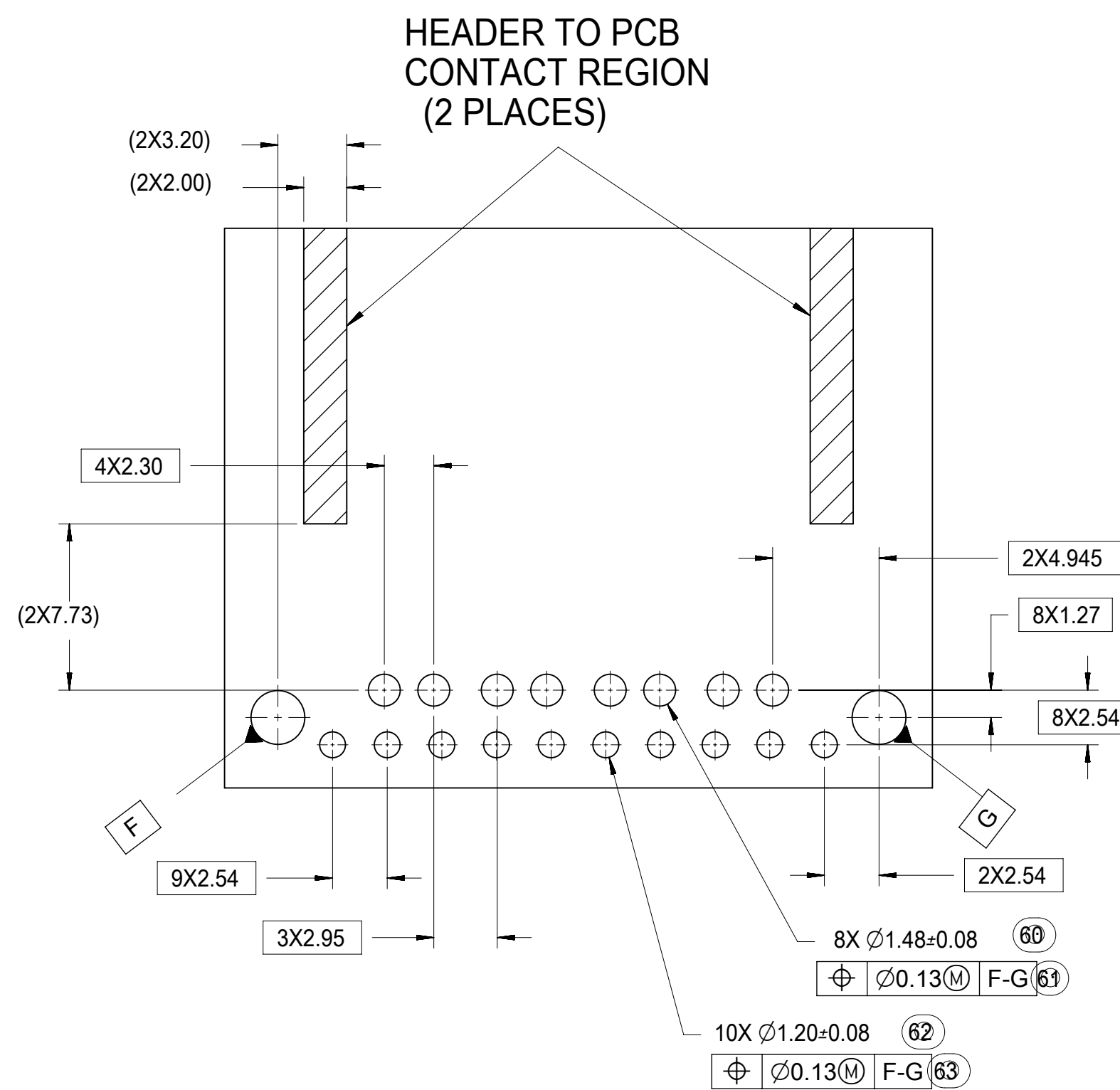
# 10 CKT HYBRID TEMPLATE PCB LAYOUT



# 8-20 CKT 0.64mm TEMPLATE PCB LAYOUT



# 14 CKT HYBRID TEMPLATE PCB LAYOUT



SYMBOLS	THIS DRAWING CONTAINS INFORMATION THAT IS PROPRIETARY TO MOLEX ELECTRONIC TECHNOLOGIES, LLC AND SHOULD NOT BE USED WITHOUT WRITTEN PERMISSION		
	DIMENSION UNITS	SCALE	CURRENT REV DESC:
$\nabla = 0$	mm	1:1	
$\nabla = 0$	GENERAL TOLERANCES (UNLESS SPECIFIED)		
$\nabla = 0$	ANGULAR TOL	$\pm 1.0^\circ$	
$\nabla = 0$	4 PLACES	$\pm$	
$\nabla = 0$	3 PLACES	$\pm$	
$\nabla = 0$	2 PLACES	$\pm 0.13$	
$\nabla = 0$	1 PLACE	$\pm 0.25$	
$\nabla = 0$	0 PLACES	$\pm$	
$\nabla = 0$	DRAFT WHERE APPLICABLE MUST REMAIN WITHIN DIMENSIONS		
$\nabla = 0$	THIRD ANGLE PROJECTION	DRAWING	SERIES
		D-SIZE	34708
MATERIAL NUMBER		CUSTOMER	SHEET NUMBER
SD-34708-300		GENERAL MARKET	5 OF 6
DOCUMENT NUMBER		DOC TYPE	DOC PART
SD-34708-300		PSD	001
REVISION		U8	
EC NO: 612618		DRWN: SHANDITHAVAL 2019/02/22	
CHK'D: RBAUMAN 2019/02/23		APPR: RBAUMAN 2019/02/23	
INITIAL REVISION:		DRWN: JDUNAJ 2009/03/10	
		APPR: SMARCEAU 2009/03/11	

**molex**

3-BAY STAC64 RIGHT ANGLE  
HEADER ASSEMBLY SALES DRAWING

PRODUCT CUSTOMER DRAWING

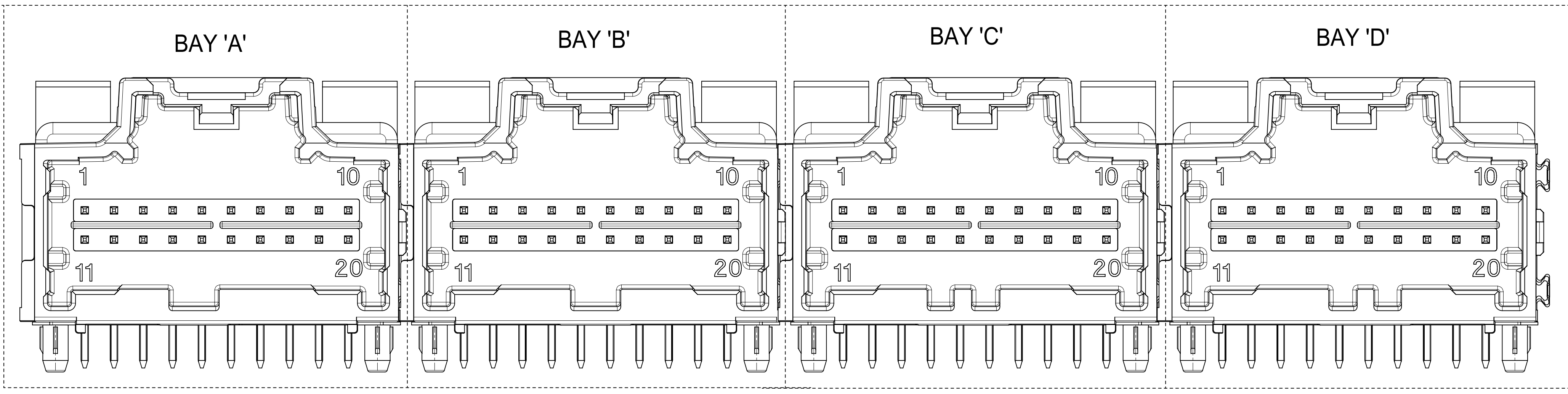
DOCUMENT NUMBER: SD-34708-300  
DOC TYPE: PSD  
DOC PART: 001  
REVISION: U8

MATERIAL NUMBER: GENERAL MARKET  
CUSTOMER: GENERAL MARKET  
SHEET NUMBER: 5 OF 6



TABLE OF CONTENTS	
1	NOTES, INSPECTION BALLOON NUMBER LOG, REV. TABLE, 4 BAY ASSEMBLY VIEW
2	DIMENSIONAL CHART FOR MULTIBAY CONFIGURATION
3	4 BAY ASSEMBLY VIEW, RECOMMENDED PCB LAYOUT, FLUSH MOUNTING VIEW, POST HOLE TABLE, DIMENSION DETAILS
4	8-20CKT 0.64MM HEADER DETAILS, 14CKT HYBRID HEADER DETAILS, 10CKT HYBRID HEADER DETAILS
5	RECOMMENDED SINGLE PCB LAYOUT FOR 10CKT HYBRID, 14CKT HYBRID, AND 8-20CKT 0.64MM

## 4 BAY STAC64 RIGHT ANGLE HEADER ASSEMBLY (P/N: 34708-4000 SHOWN)



- (P1) NOTES: VALID UNLESS OTHERWISE SPECIFIED**
1. GENERAL:
    - a. CONNECTOR HEADER MUST BE VALIDATED TO THE FOLLOWING FUNCTIONAL REQUIREMENTS:  
 PRODUCT SPECIFICATION:  
 8-20 CKT 0.64 PRODUCT SPEC: PS-34729-020/PS-31408-100  
 10 CKT HYBRID PRODUCT SPEC: PS-31372-100  
 14 CKT HYBRID PRODUCT SPEC: PS-34969-100
    - b. APPLICATION REQUIREMENTS (REFERENCE ONLY):  
 APPLICATION SPECIFICATION: AS-34729-020/AS-31408-100
    - c. PACKAGING SPECIFICATION PER MOLEX DRAWING PK-31300-892 (TRAY)
    - d. PACKAGING SPECIFICATION PER MOLEX DRAWING PK-31301-063 (TUBE)
    - e. PACKAGING SPECIFICATION PER MOLEX DRAWING PK-31300-894 (ALT TRAY)
  2. DESIGN: MATERIALS:
    - a. SHROUD (PLASTIC HOUSING):  
 RESIN - SPS
    - b. 0.64mm PINS:  
 BASE MATERIAL: COPPER ALLOY  
 PLATING TYPE: AS NOTED
    - 1.50/2.80mm BLADES:  
 BASE MATERIAL: COPPER ALLOY  
 PLATING TYPE: AS NOTED
  3. PLATING REQUIREMENTS:
    - a. UNDERPLATING - OVERALL NICKEL
    - b. OVERPLATING - OVERALL TIN
  4. FOR DESCRIPTION OF INDIVIDUAL BAYS, REFER TO THE FOLLOWING SINGLE BAY DRAWINGS:  
 8-20 CKT 0.64: SD-34691-100  
 10 CKT HYBRID: SD-34696-100  
 14 CKT HYBRID: SD-34773-100
  5. **G** DENOTES DIMENSIONS THAT MAY BE QUALIFIED WITH A GAUGE.

INSPECTION BALLOON NUMBER LOG	
PER DRAWING REVISION:	P1
LAST BALLOON NUMBER USED:	55
ADDED BALLOON NUMBERS:	
REMOVED BALLOON NUMBERS:	9, 10, 11, 12, 56, 57, 58, 59, 60, 61, 62, 63

FUNCTIONAL SYMBOLS	DIMENSION UNITS	SCALE
$\nabla_A = 0$	mm	4:1
$\nabla_C = 0$	GENERAL TOLERANCES (UNLESS SPECIFIED)	
$\nabla_D = 0$	ANGULAR TOL $\pm 1.0^\circ$	
	4 PLACES	$\pm$
	3 PLACES	$\pm$
	2 PLACES	$\pm 0.13$
	1 PLACE	$\pm 0.25$
	0 PLACES	$\pm$
	DRAFT WHERE APPLICABLE MUST REMAIN WITHIN DIMENSIONS	

REV.	REV DESCRIPTION	EC#	DATE
P1	1. UPDATED NOTES 2. ADDED NEW P/N 34708-4021 IN SHEET 2	660202	2021.05

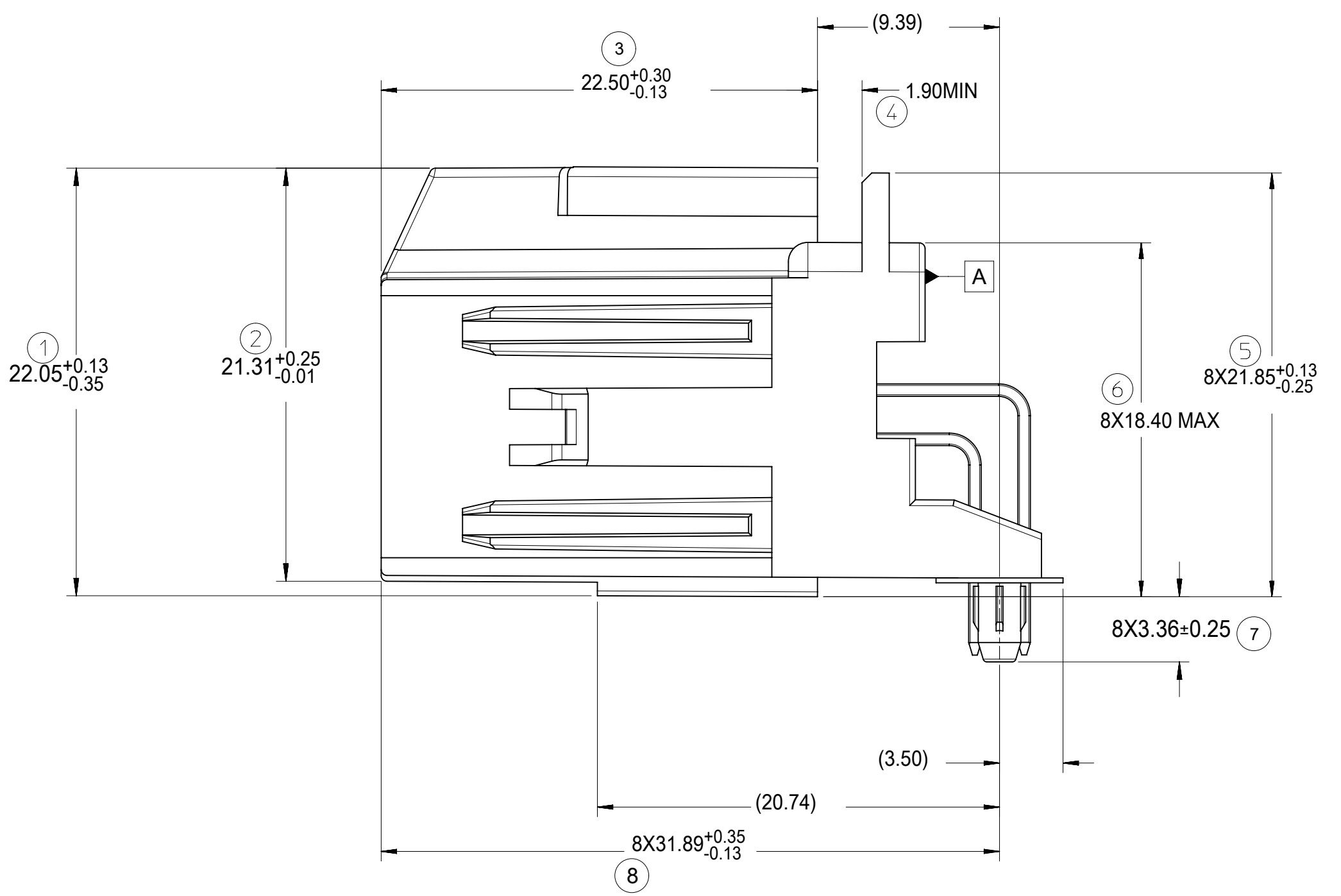
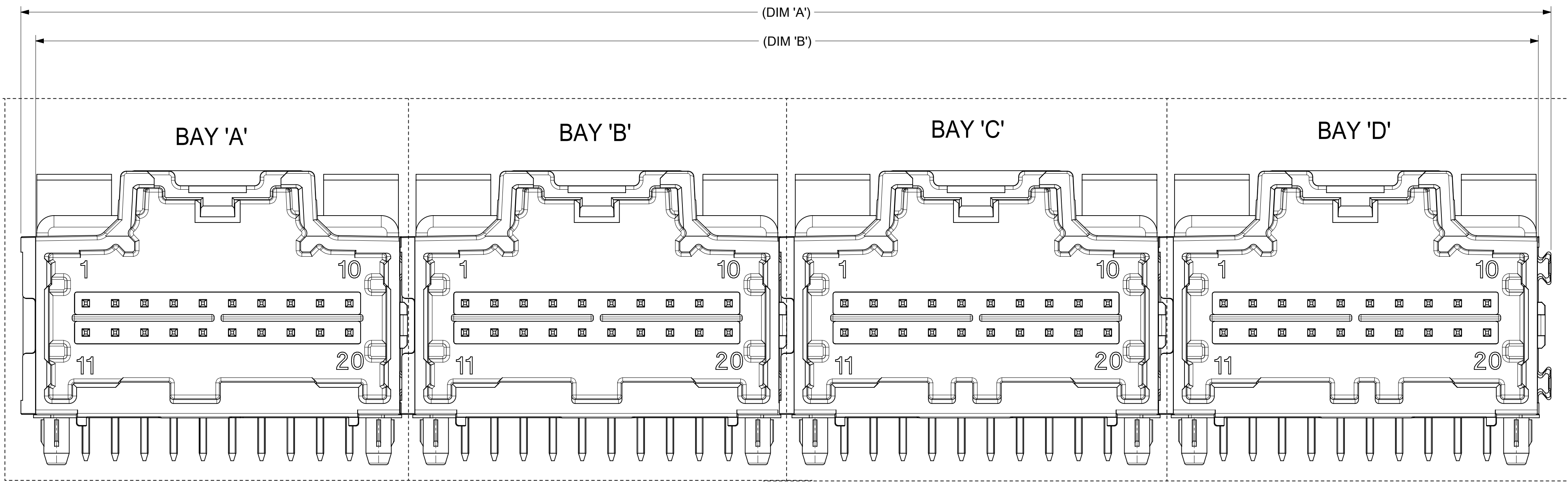
THIS DRAWING CONTAINS INFORMATION THAT IS PROPRIETARY TO MOLEX ELECTRONIC TECHNOLOGIES, LLC AND SHOULD NOT BE USED WITHOUT WRITTEN PERMISSION			
CURRENT REV DESC:		<b>molex</b>	
EC NO: 660202		4-BAY STAC64 RIGHT ANGLE HEADER ASSEMBLY SALES DRAWING	
DRWN: CZHANG118	2021/02/04	PRODUCT CUSTOMER DRAWING	
CHK'D: CZHANG118	2021/04/09	DOCUMENT NUMBER	
APPR: JDENG02	2021/05/18	SD-34708-400	
INITIAL REVISION:		DOC TYPE	DOC PART
DRWN: VDANIELE	2008/11/14	PSD	001
APPR: SMARCEAU	2008/11/14	REVISION	
THIRD ANGLE PROJECTION		MATERIAL NUMBER	CUSTOMER
DRAWING		GENERAL MARKET	
SERIES		SHEET NUMBER	
D-SIZE 34708		1 OF 5	

## DIMENSIONAL CHART FOR MULTIBAY CONFIGURATION

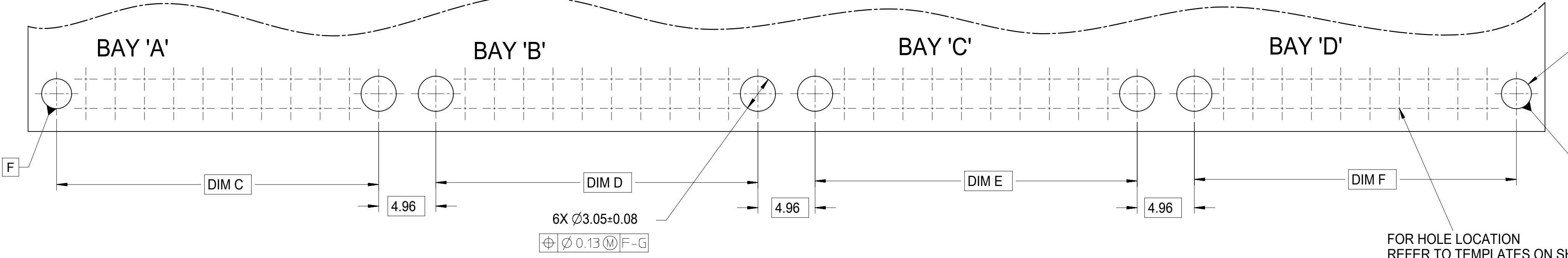
4 BAY PART NUMBER (ALT TRAY)	4 BAY PART NUMBER (TUBE PKG)	4 BAY PART NUMBER (TRAY PKG)	BAY A			BAY B			BAY C			BAY D			DIM 'A'	DIM 'B'	DIM 'C'	DIM 'D'	DIM 'E'	DIM 'F'
			CKT	TYPE	POL	CKT	TYPE	POL	CKT	TYPE	POL	CKT	TYPE	POL						
TBD	34708-9000	34708-4000	20	0.64mm	A	20	0.64mm	B	20	0.64mm	C	20	0.64mm	D	132.74	130.27	27.94	27.94	27.94	27.94
TBD	TBD	34708-4010	12	0.64mm	A	12	0.64mm	B	16	0.64mm	A	8	0.64mm	A	92.10	89.63	17.78	17.78	22.86	12.70
TBD	TBD	34708-4020	16	0.64mm	B	8	0.64mm	B	16	0.64mm	C	12	0.64mm	C	97.18	94.71	22.86	12.70	22.86	17.78
TBD	TBD	34708-4030	16	0.64mm	A	20	0.64mm	A	12	0.64mm	A	20	0.64mm	B	117.50	115.03	22.86	27.94	17.78	27.94
TBD	TBD	34708-4040	20	0.64mm	B	12	0.64mm	A	20	0.64mm	A	12	0.64mm	C	112.42	109.95	27.94	17.78	27.94	17.78
TBD	TBD	34708-4050	20	0.64mm	A	16	0.64mm	A	8	0.64mm	A	10	HYBRID	A	112.42	109.95	27.94	22.86	12.70	27.94
TBD	TBD	34708-4060	20	0.64mm	C	20	0.64mm	A	20	0.64mm	B	12	0.64mm	A	122.58	120.11	27.94	27.94	27.94	17.78
TBD	TBD	34708-4070	12	0.64mm	A	20	0.64mm	D	20	0.64mm	C	20	0.64mm	A	122.58	120.11	17.78	27.94	27.94	27.94
TBD	TBD	34708-4080	20	0.64mm	B	8	0.64mm	A	20	0.64mm	A	12	0.64mm	A	107.34	104.87	27.94	12.70	27.94	17.78
TBD	TBD	34708-4090	12	0.64mm	A	20	0.64mm	A	20	0.64mm	B	20	0.64mm	C	122.58	120.11	17.78	27.94	27.94	27.94
TBD	TBD	34708-4011	16	0.64mm	B	16	0.64mm	A	8	0.64mm	A	10	HYBRID	A	107.34	104.87	22.86	22.86	12.70	27.94
TBD	TBD	34708-4012	8	0.64mm	B	20	0.64mm	D	12	0.64mm	A	12	0.64mm	C	97.18	94.71	12.70	27.94	17.78	17.78
TBD	34708-9013	34708-4013	16	0.64mm	A	20	0.64mm	B	20	0.64mm	C	20	0.64mm	D	127.66	125.19	22.86	27.94	27.94	27.94
TBD	TBD	34708-4014	8	0.64mm	A	20	0.64mm	C	20	0.64mm	B	10	HYBRID	A	117.50	115.03	12.70	27.94	27.94	27.94
TBD	34708-9015	34708-4015	20	0.64mm	A	20	0.64mm	B	20	0.64mm	C	8	0.64mm	A	117.50	115.03	27.94	27.94	27.94	12.70
TBD	34708-9016	34708-4016	20	0.64mm	A	20	0.64mm	B	20	0.64mm	C	12	0.64mm	A	122.58	120.11	27.94	27.94	27.94	17.78
TBD	TBD	34708-4017	20	0.64mm	D	20	0.64mm	A	20	0.64mm	B	20	0.64mm	C	132.74	130.27	27.94	27.94	27.94	27.94
TBD	TBD	34708-4018	20	0.64mm	C	20	0.64mm	A	20	0.64mm	B	16	0.64mm	A	127.66	125.19	27.94	27.94	27.94	22.86
34708-9519	TBD	34708-4019	10	HYBRID	A	16	0.64mm	C	12	0.64mm	B	20	0.64mm	A	117.50	115.03	27.94	22.86	17.78	27.94
P1 TBD	TBD	34708-4021	10	HYBRID	A	14	HYBRID	A	16	0.64mm	A	20	0.64mm	A	127.66	125.19	27.94	27.94	22.86	27.94

FUNCTIONAL SYMBOLS	THIS DRAWING CONTAINS INFORMATION THAT IS PROPRIETARY TO MOLEX ELECTRONIC TECHNOLOGIES, LLC AND SHOULD NOT BE USED WITHOUT WRITTEN PERMISSION		
$F_A = 0$	DIMENSION UNITS	SCALE	CURRENT REV DESC:
$F_C = 0$	mm	1:1	
$F_D = 0$	GENERAL TOLERANCES (UNLESS SPECIFIED)		
	ANGULAR TOL ± 1.0°		
	4 PLACES ±		
DIVISIONAL SYMBOLS	3 PLACES ±		EC NO: 660202
	2 PLACES ± 0.13		DRWN: CZHANG118 2021/02/04
	1 PLACE ± 0.25		CHK'D: CZHANG118 2021/04/09
	0 PLACES ±		APPR: JDENG02 2021/05/18
DRAFT WHERE APPLICABLE MUST REMAIN WITHIN DIMENSIONS			INITIAL REVISION:
THIRD ANGLE PROJECTION			DRWN: VDANIELE 2008/11/14
			APPR: SMARCEAU 2008/11/14
DRAWING		SERIES	DOCUMENT NUMBER
D-SIZE		34708	SD-34708-400
CUSTOMER			PSD 001 P1
GENERAL MARKET			REVISION
SHEET NUMBER			2 OF 5

TABLE OF CONTENTS	
3	4 BAY ASSEMBLY VIEW, RECOMMENDED PCB LAYOUT, FLUSH MOUNTING VIEW, POST HOLE TABLE, DIMENSION DETAILS



**RECOMMENDED PCB LAYOUT**  
INSERT NECESSARY BAYS USING CHART ON SHEET 2.



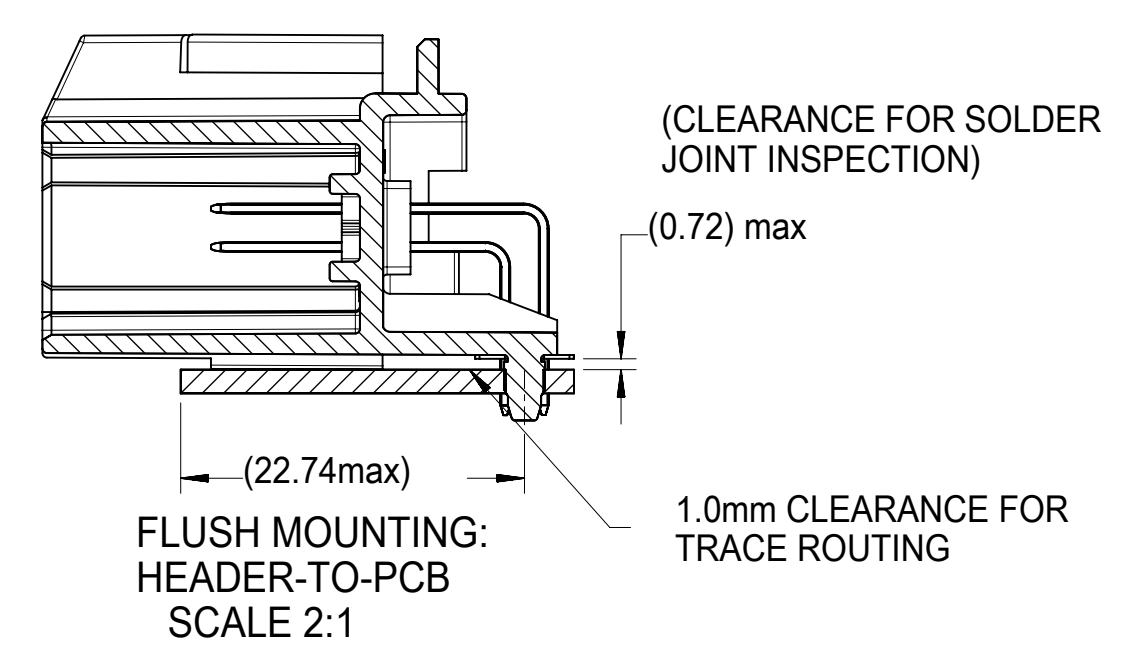
REFER TO POST HOLE TABLE

2X ØZ±0.08  
Ø0.13 (M) F

**POST HOLE TABLE:**

FOR DIM Z:	
PRESS FIT:	2.60
DROP IN:	3.05

**ALL CIRCUIT SIZES**

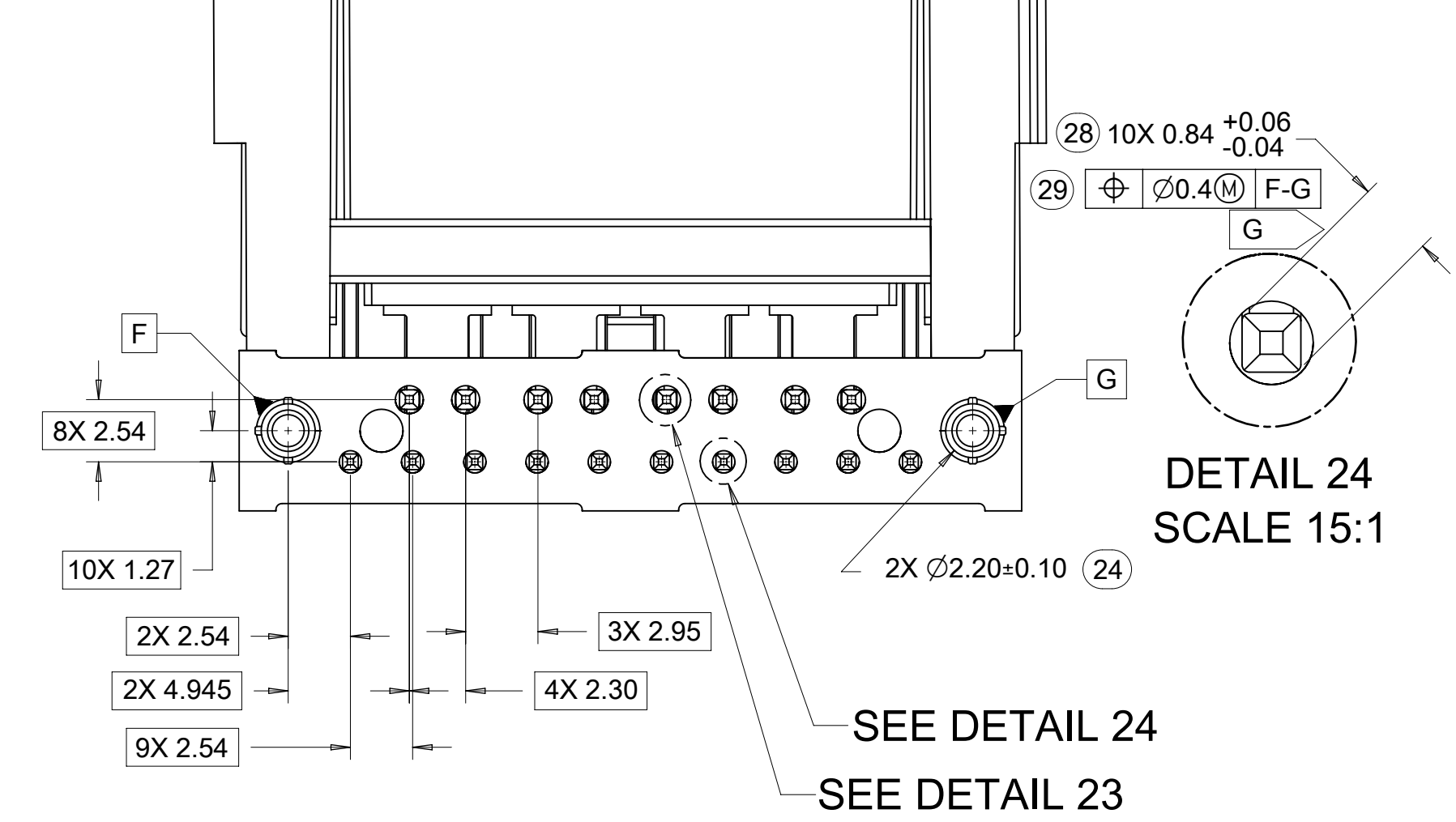
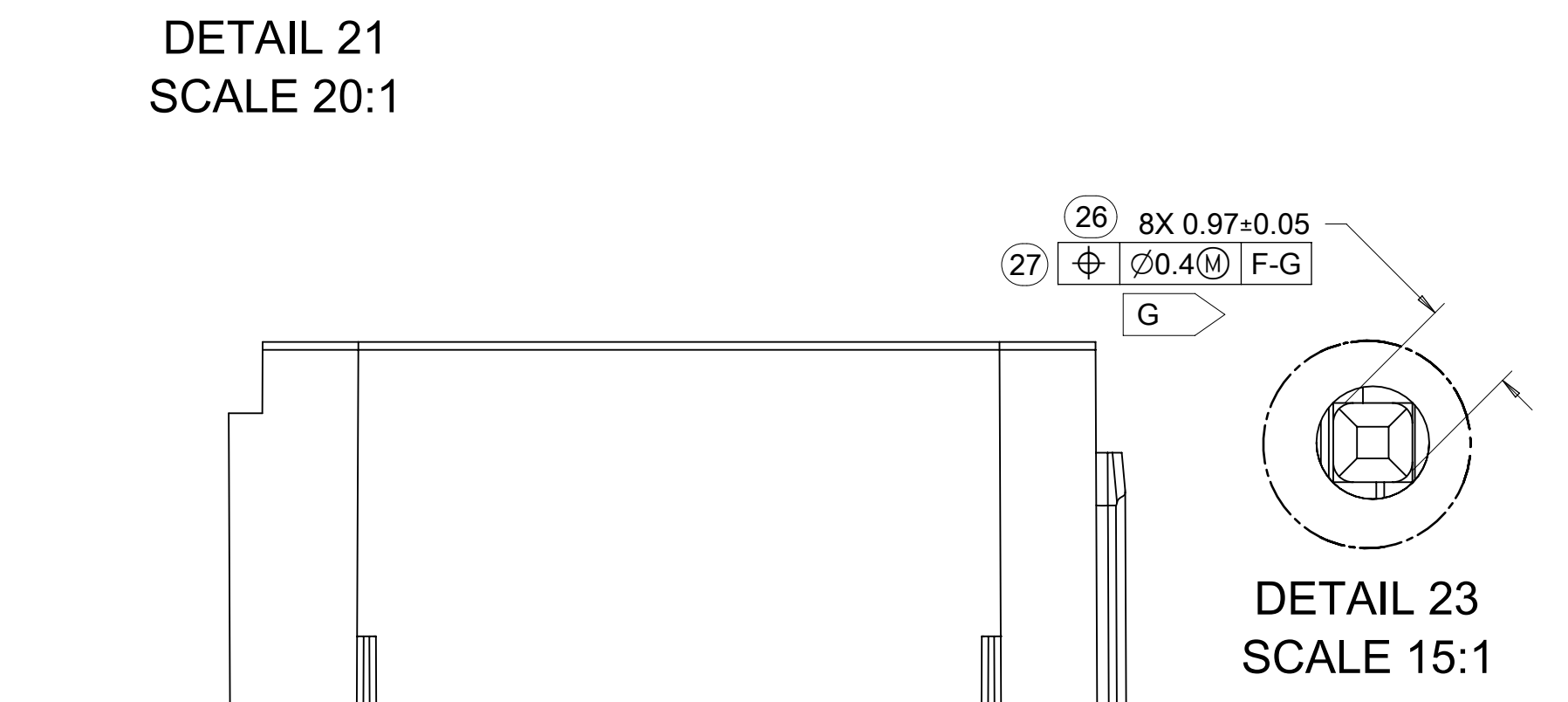
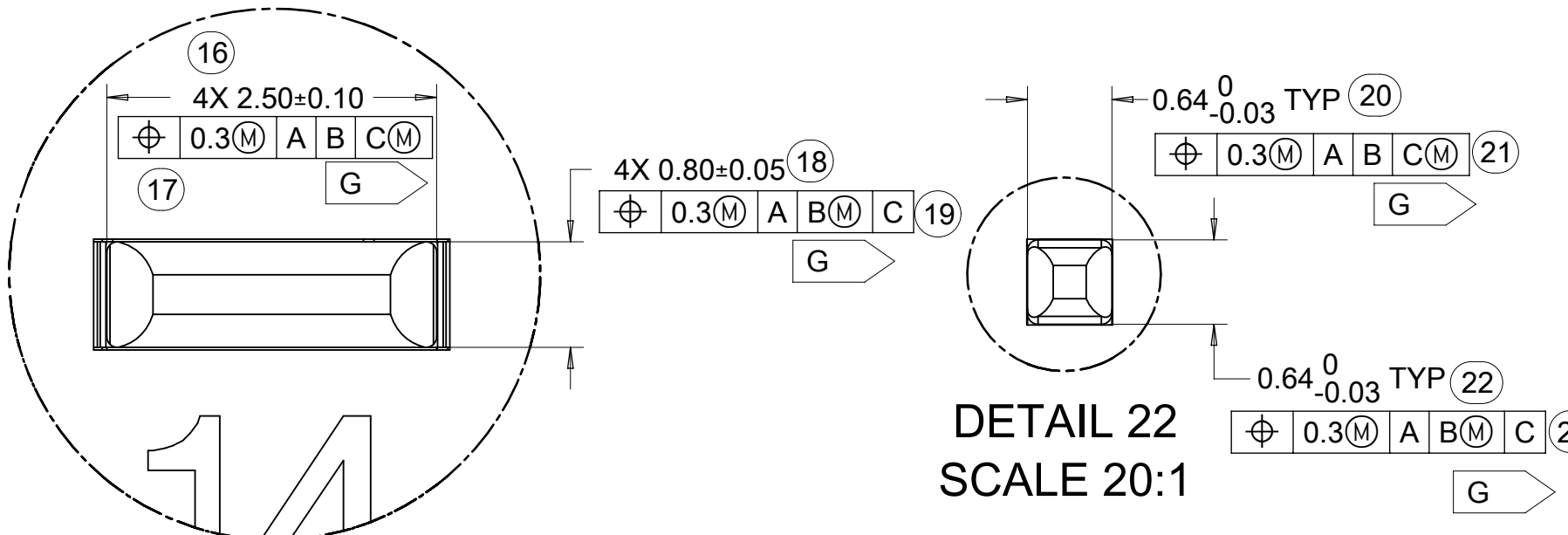
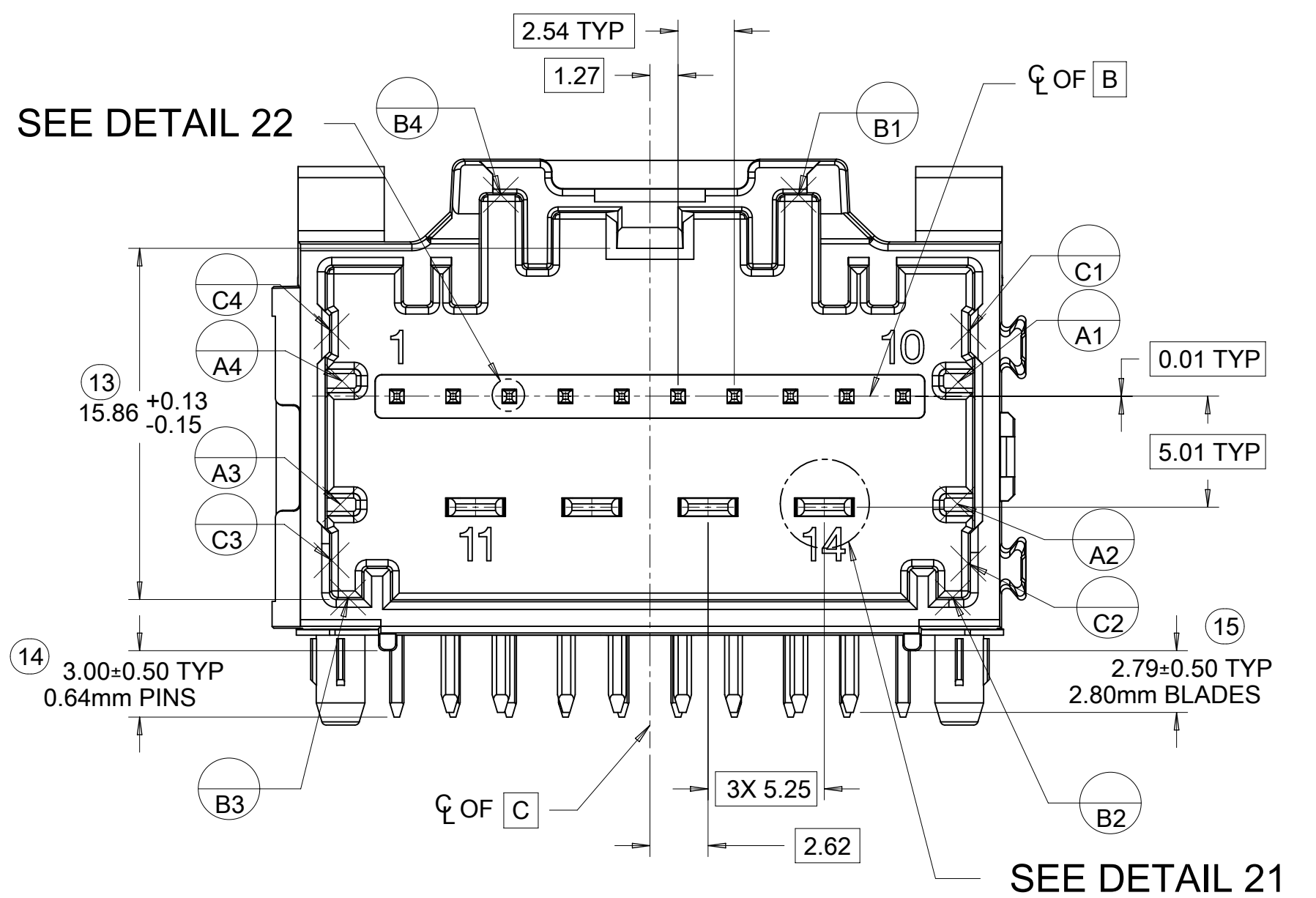


FOR HOLE LOCATION REFER TO TEMPLATES ON SHEET 5

FUNCTIONAL SYMBOLS FA = 0 FC = 0 FD = 0	DIMENSION UNITS <b>mm</b>	SCALE <b>4:1</b>	CURRENT REV DESC:			
			<p>EC NO: 660202 DRWN: CZHANG118 2021/02/04 CHK'D: CZHANG118 2021/04/09 APPR: JDENG02 2021/05/18</p>			
DIVISIONAL SYMBOLS	GENERAL TOLERANCES (UNLESS SPECIFIED)		<p>INITIAL REVISION: DRWN: VDANIELE 2008/11/14 APPR: SMARCEAU 2008/11/14</p>			
	ANGULAR TOL	± 1.0°				
	4 PLACES	±	<p><b>molex</b></p> <p>4-BAY STAC64 RIGHT ANGLE HEADER ASSEMBLY SALES DRAWING</p> <p>PRODUCT CUSTOMER DRAWING</p>			
	3 PLACES	±				
	2 PLACES	± 0.13				
	1 PLACE	± 0.25				
	0 PLACES	±	<p>DRAFT WHERE APPLICABLE MUST REMAIN WITHIN DIMENSIONS</p>			
THIRD ANGLE PROJECTION		DRAWING		SERIES	MATERIAL NUMBER	
		D-SIZE		34708	GENERAL MARKET	
DOCUMENT NUMBER			DOC TYPE	DOC PART	REVISION	
SD-34708-400			PSD	001	P1	
SHEET NUMBER			CUSTOMER		SHEET NUMBER	
3 OF 5			GENERAL MARKET		3 OF 5	

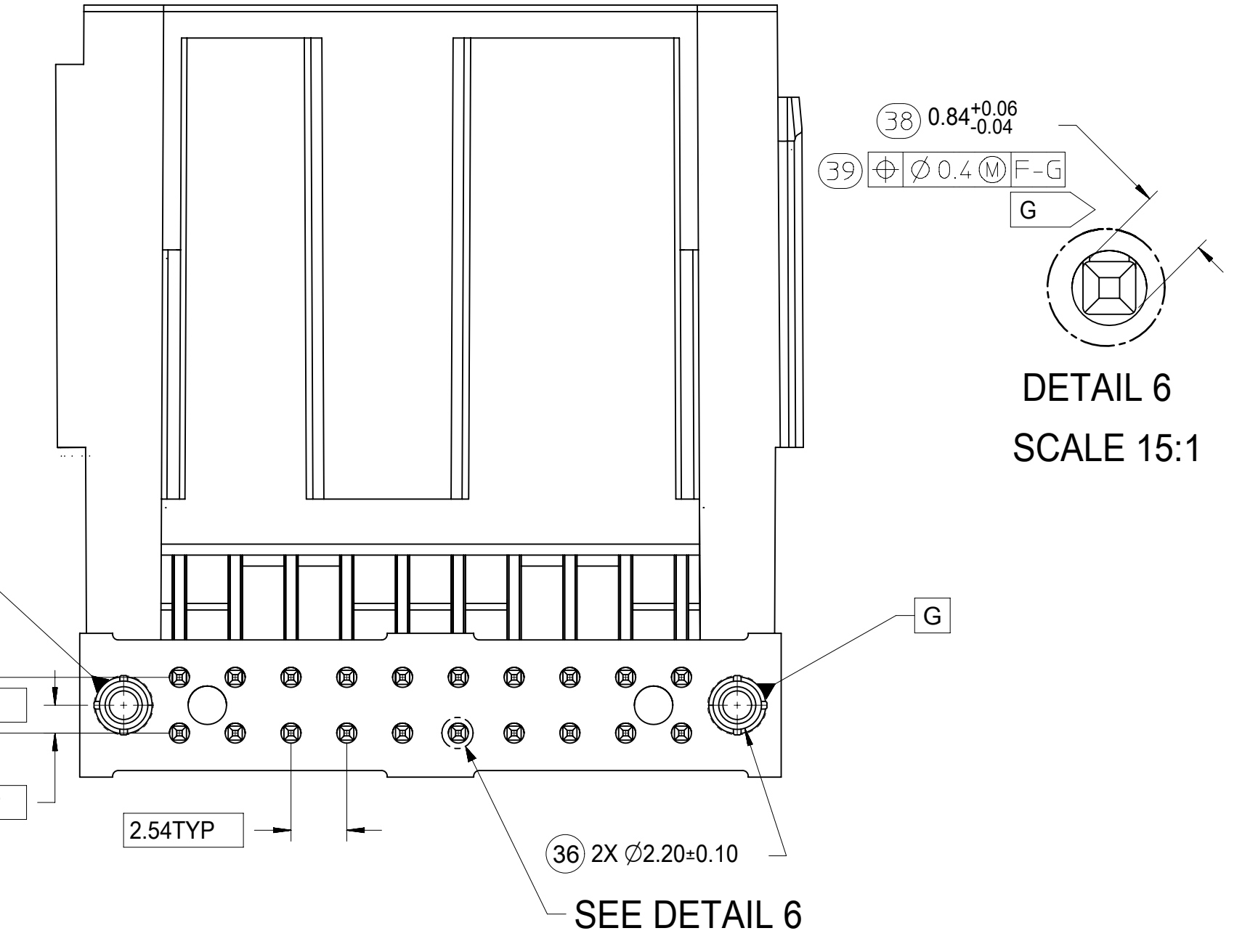
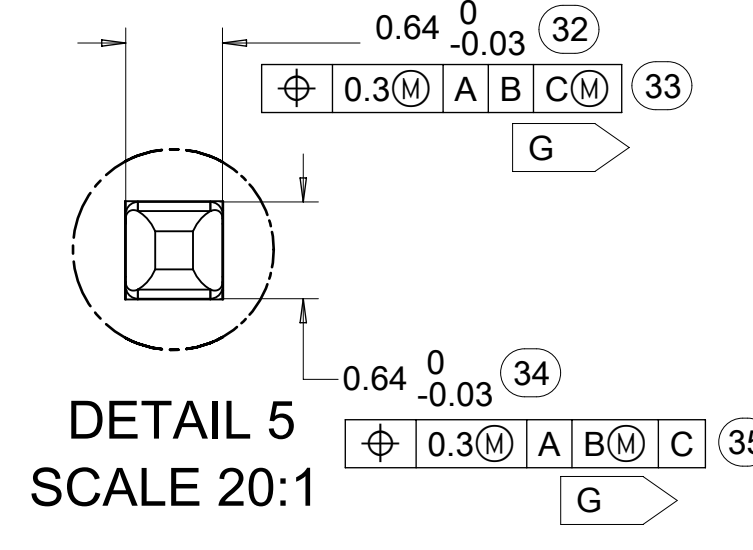
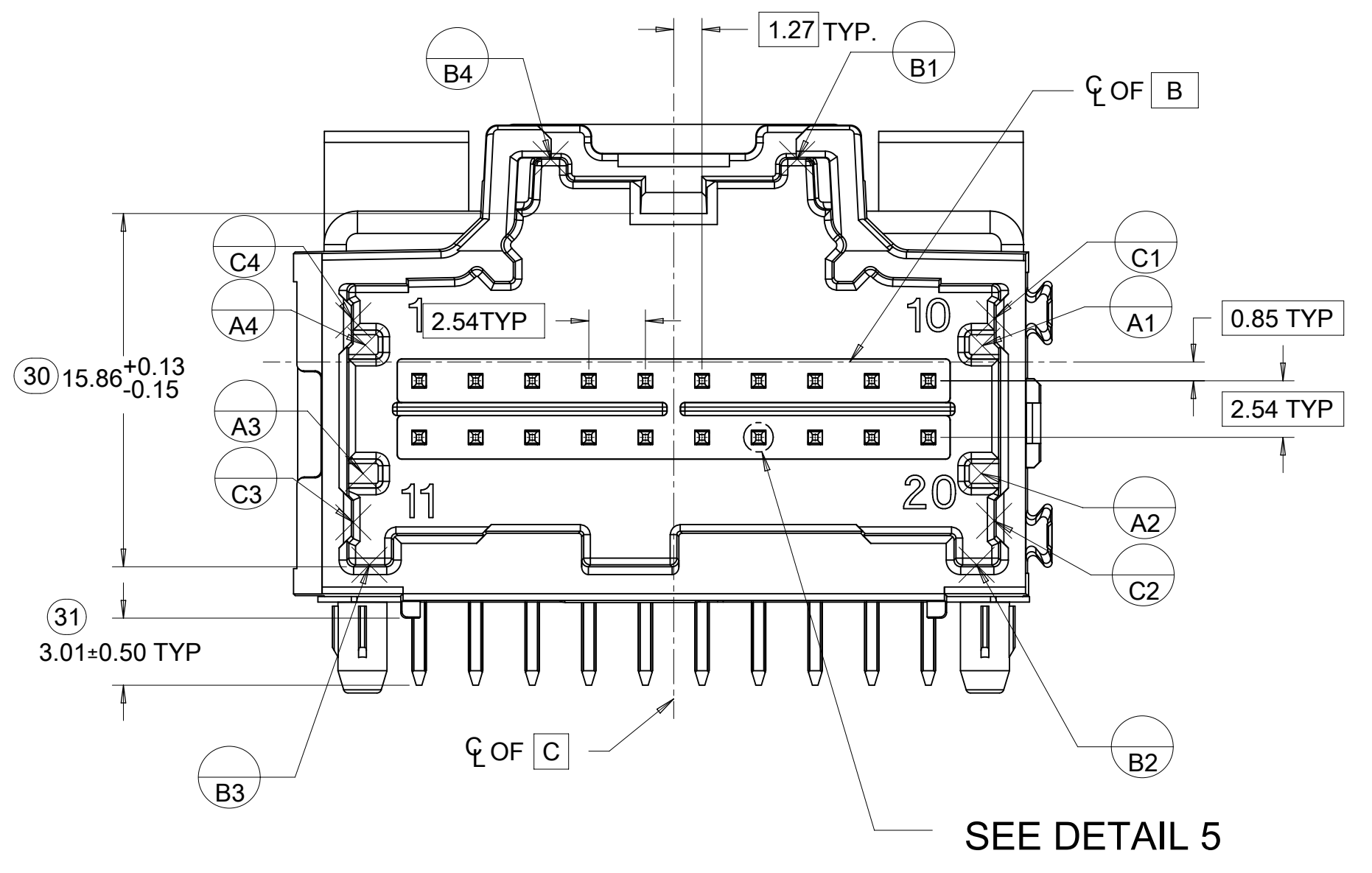
TABLE OF CONTENTS	
8-20CKT 0.64MM HEADER DETAILS, 14CKT HYBRID HEADER DETAILS, 10CKT HYBRID HEADER DETAILS	

### 14 CKT HYBRID HEADER DETAILS



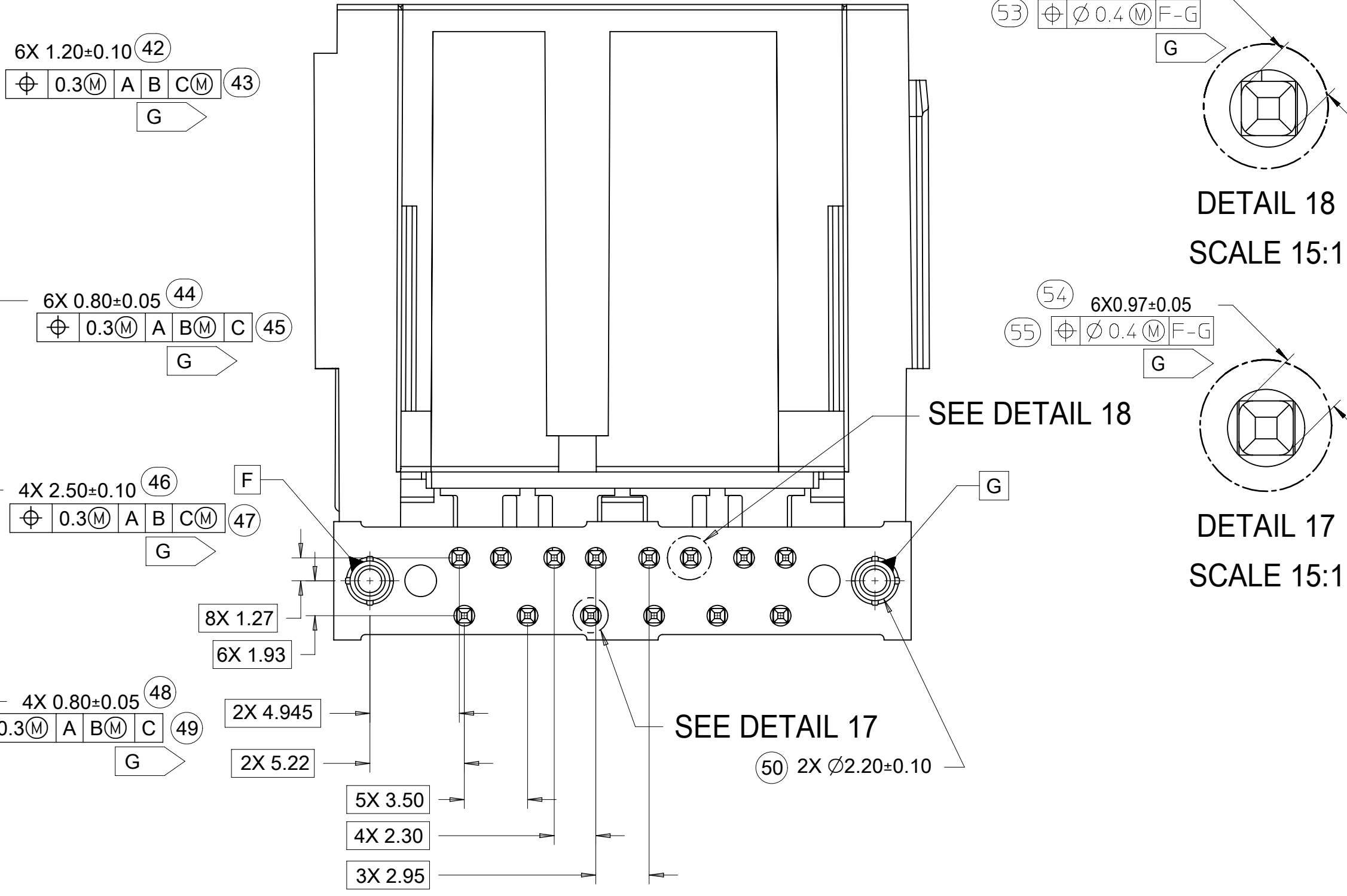
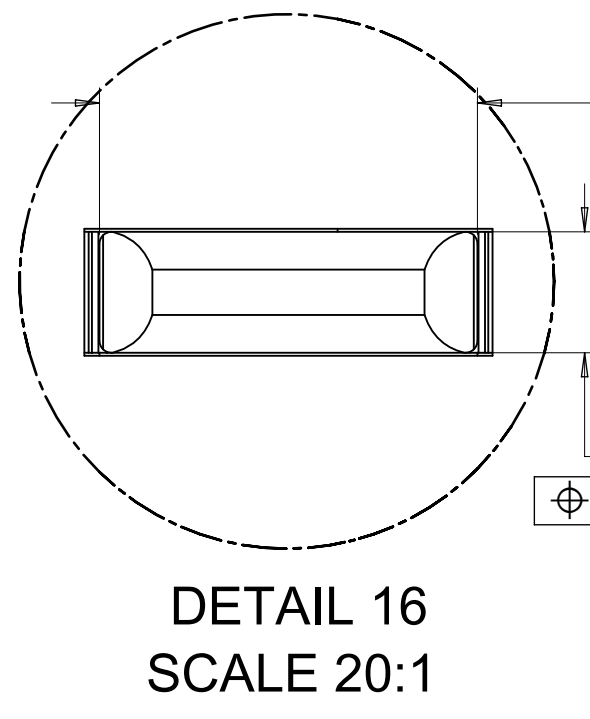
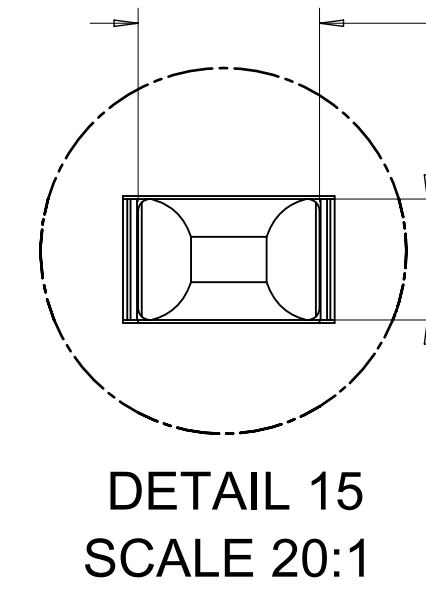
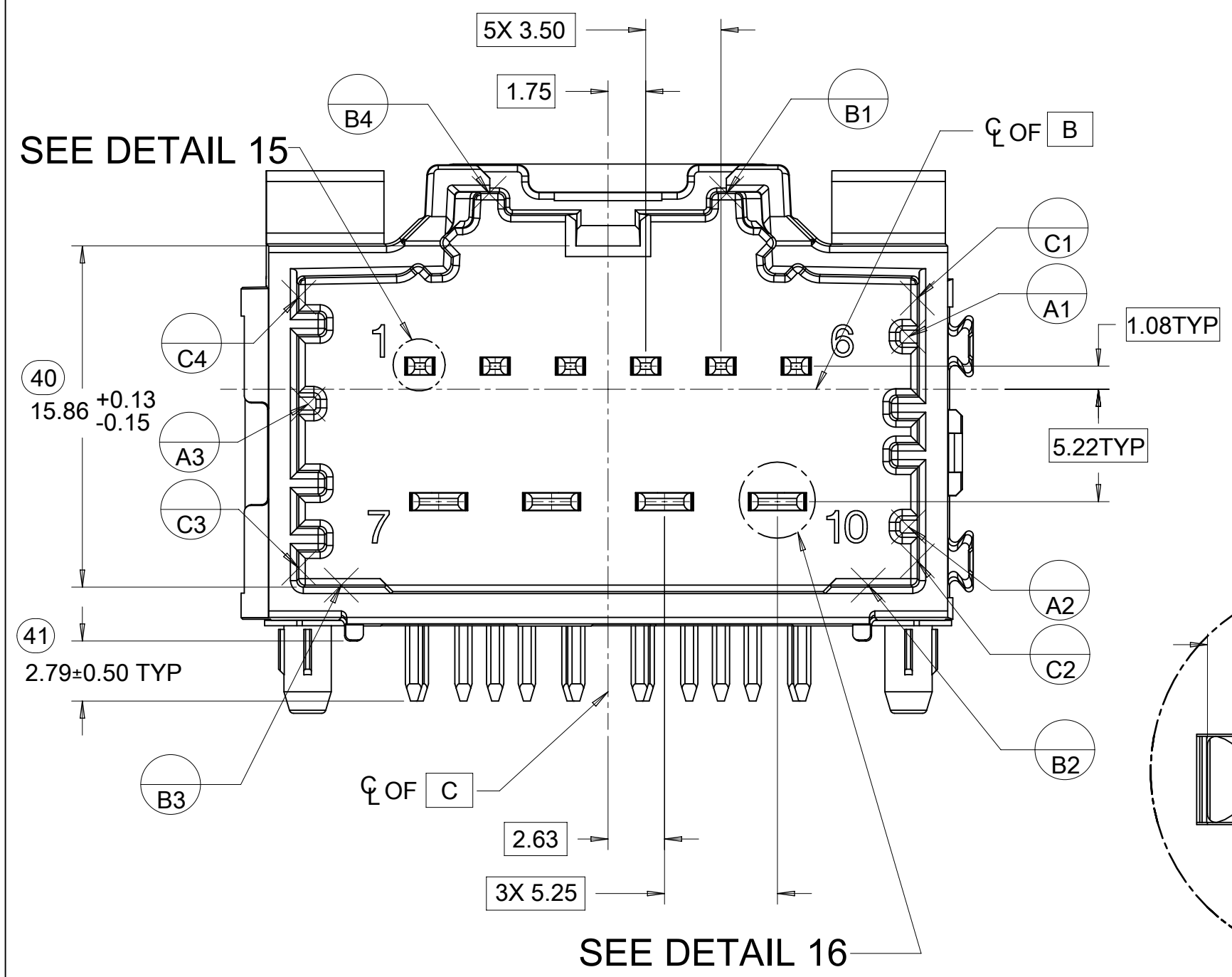
DOCUMENT STATUS	P1	RELEASE DATE	2021/05/18 01:49:26
-----------------	----	--------------	---------------------

### 8-20CKT STAC 0.64mm HEADER DETAILS



DETAIL 6 SCALE 15:1

### 10CKT STAC HYBRID HEADER DETAILS



DETAIL 18 SCALE 15:1

DETAIL 17 SCALE 15:1

FUNCTIONAL SYMBOLS FA = 0 FE = 0 FP = 0	THIS DRAWING CONTAINS INFORMATION THAT IS PROPRIETARY TO MOLEX ELECTRONIC TECHNOLOGIES, LLC AND SHOULD NOT BE USED WITHOUT WRITTEN PERMISSION	SCALE 4:1	CURRENT REV DESC:
	DIMENSION UNITS mm	GENERAL TOLERANCES (UNLESS SPECIFIED) ANGULAR TOL ± 1.0°	EC NO: 660202 DRWN: CZHANG118 2021/02/04 CHK'D: CZHANG118 2021/04/09 APPR: JDENG02 2021/05/18
DIVISIONAL SYMBOLS	4 PLACES ± 3 PLACES ± 2 PLACES ± 0.13 1 PLACE ± 0.25 0 PLACES ±	DRAFT WHERE APPLICABLE MUST REMAIN WITHIN DIMENSIONS	INITIAL REVISION: DRWN: VDANIELE 2008/11/14 APPR: SMARCEAU 2008/11/14
DRAFT WHERE APPLICABLE MUST REMAIN WITHIN DIMENSIONS		THIRD ANGLE PROJECTION	DRAWING SERIES D-SIZE 34708
DOCUMENT NUMBER		CUSTOMER	SHEET NUMBER
SD-34708-400		GENERAL MARKET	4 OF 5

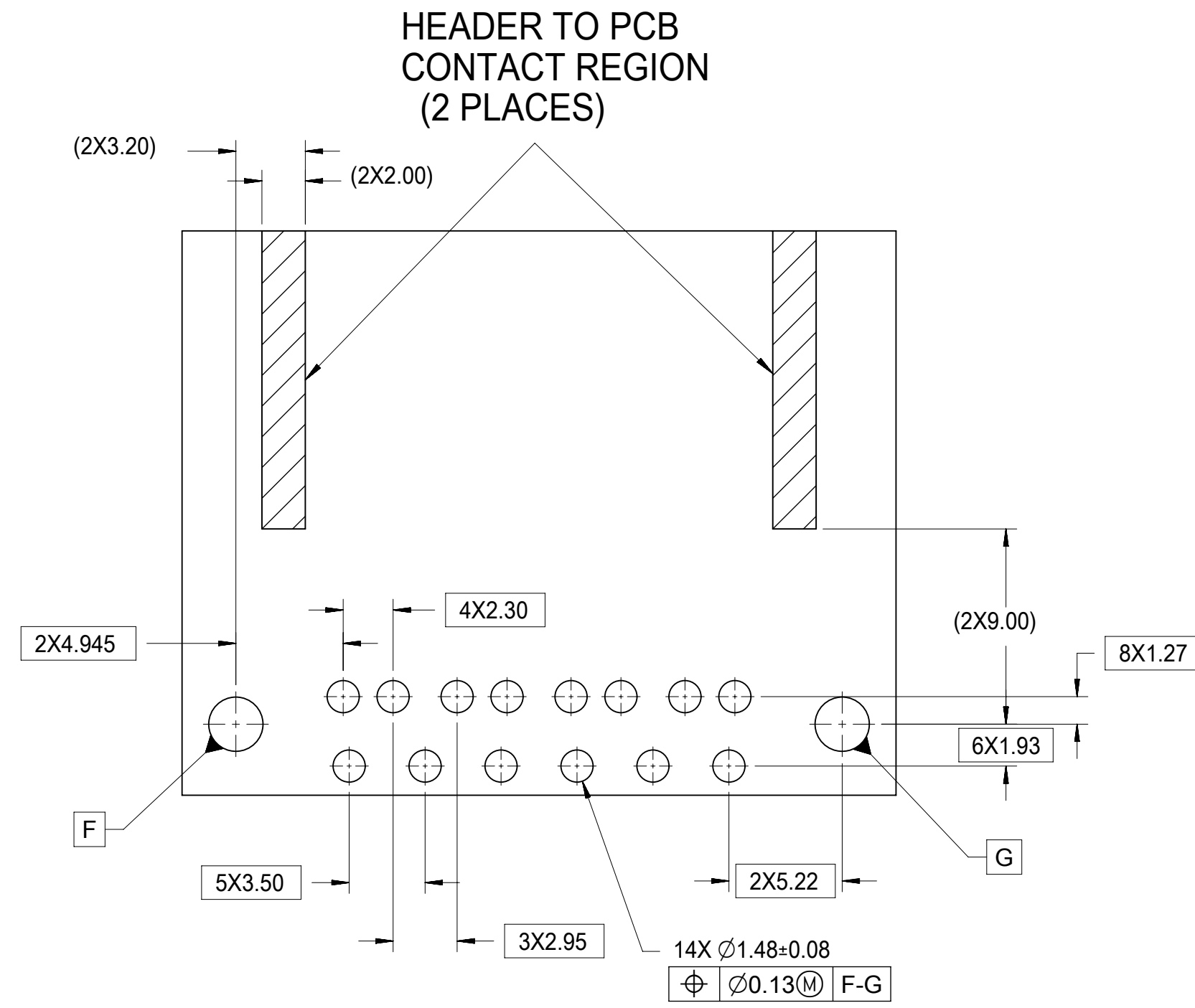


4-BAY STAC64 RIGHT ANGLE HEADER ASSEMBLY SALES DRAWING

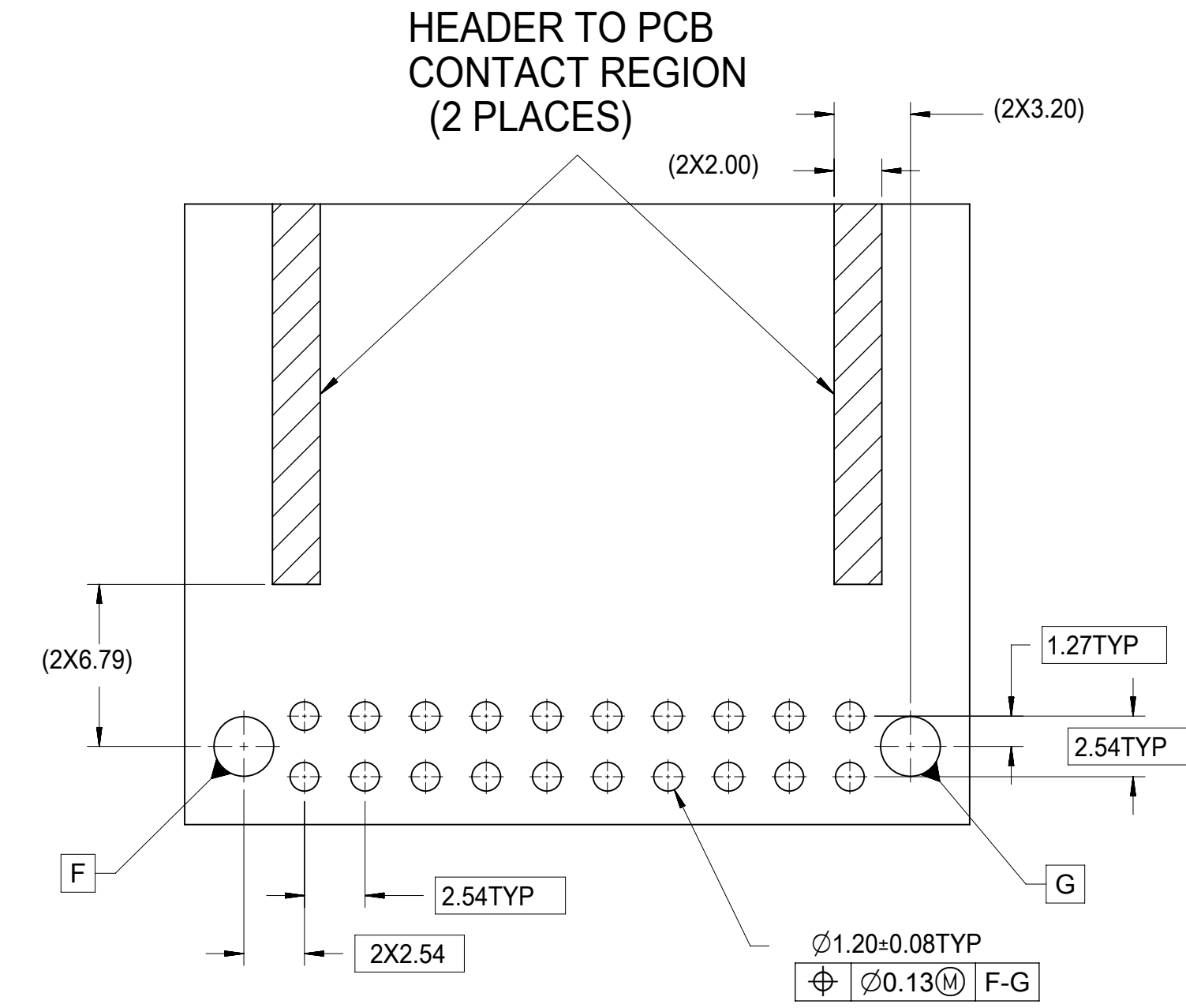
PRODUCT CUSTOMER DRAWING

PSD 001 P1

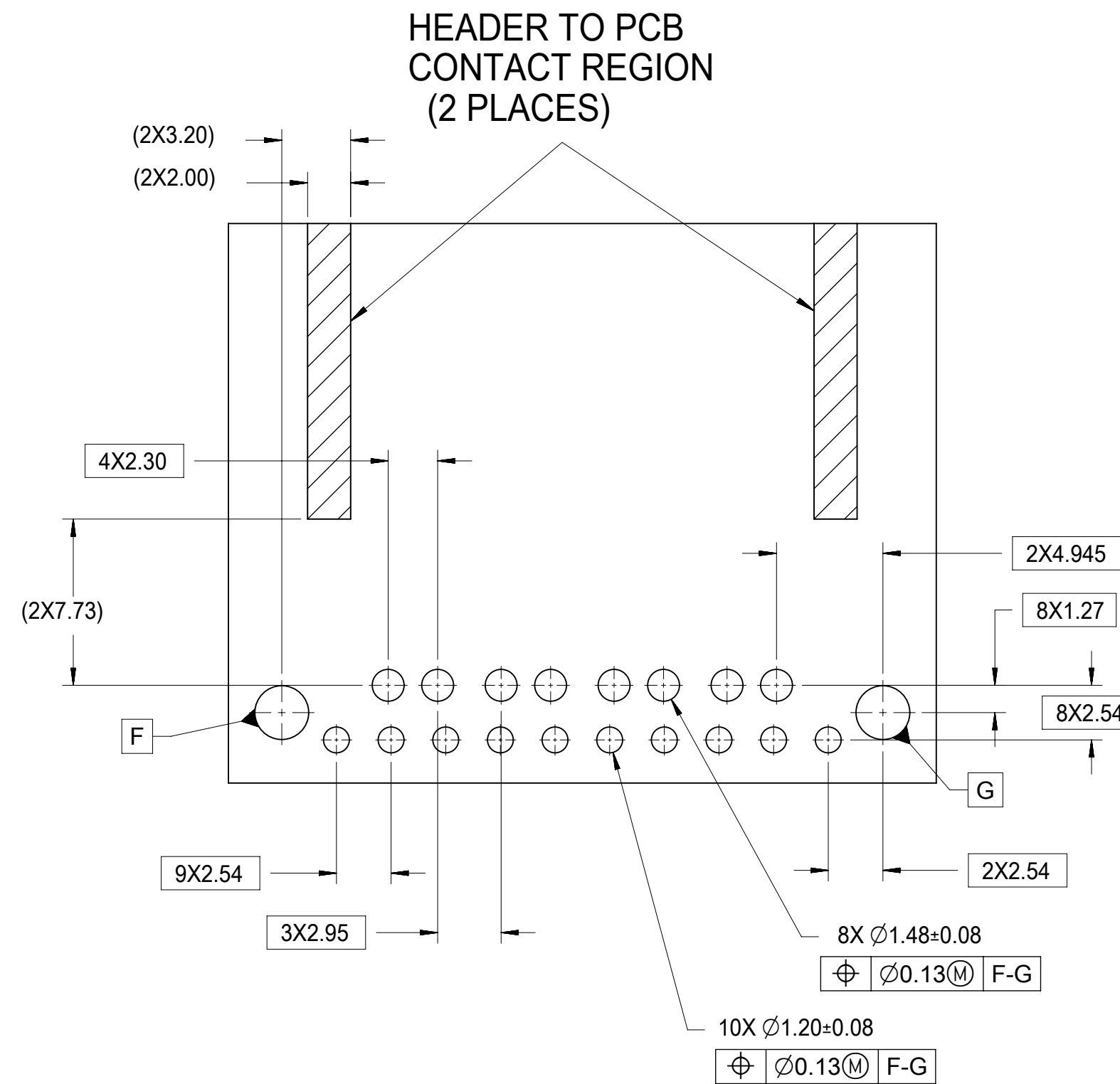
### 10 CKT HYBRID TEMPLATE PCB LAYOUT



### 8-20CKT 0.64mm TEMPLATE PCB LAYOUT

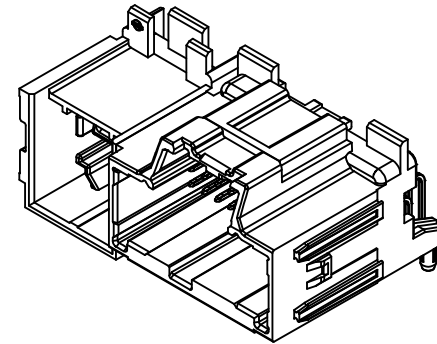
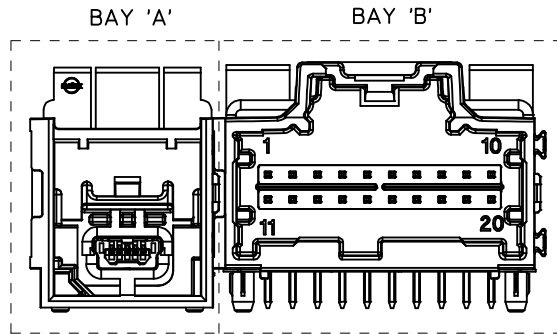


### 14 CKT HYBRID TEMPLATE PCB LAYOUT



FUNCTIONAL SYMBOLS	THIS DRAWING CONTAINS INFORMATION THAT IS PROPRIETARY TO MOLEX ELECTRONIC TECHNOLOGIES, LLC AND SHOULD NOT BE USED WITHOUT WRITTEN PERMISSION		
	DIMENSION UNITS	SCALE	CURRENT REV DESC:
$\nabla_A = 0$	mm	4:1	
$\nabla_C = 0$	GENERAL TOLERANCES (UNLESS SPECIFIED)		
$\nabla_P = 0$	ANGULAR TOL $\pm 1.0^\circ$		
DIVISIONAL SYMBOLS	4 PLACES	$\pm$	EC NO: 660202
	3 PLACES	$\pm$	DRWN: CZHANG118 2021/02/04
	2 PLACES	$\pm 0.13$	CHK'D: CZHANG118 2021/04/09
	1 PLACE	$\pm 0.25$	APPR: JDENG02 2021/05/18
	0 PLACES	$\pm$	INITIAL REVISION:
DRAFT WHERE APPLICABLE MUST REMAIN WITHIN DIMENSIONS		THIRD ANGLE PROJECTION	DRAWING
			SERIES
			D-SIZE 34708
			MATERIAL NUMBER
			CUSTOMER
			SHEET NUMBER
			5 OF 5
			GENERAL MARKET
			PSD 001 P1
			SD-34708-400
			DOCUMENT NUMBER
			DOC TYPE
			DOC PART
			REVISION
			4-BAY STAC64 RIGHT ANGLE HEADER ASSEMBLY SALES DRAWING
			PRODUCT CUSTOMER DRAWING
			molex

# 2 BAY HS STAC RIGHT ANGLE HEADER ASSEMBLY (P/N: 34787-2000 SHOWN)



NOTES: VALID UNLESS OTHERWISE SPECIFIED  
1. GENERAL:

a. CONNECTOR HEADER MUST BE VALIDATED TO THE FOLLOWING FUNCTIONAL REQUIREMENTS:

PRODUCT SPECIFICATION:  
8-20 CKT 0.64 PRODUCT SPEC: PS-31408-100  
10 CKT HYBRID PRODUCT SPEC: PS-31372-100  
HS STAC PRODUCT SPEC: TBD

b. APPLICATION REQUIREMENTS (REFERENCE ONLY):  
APPLICATION SPECIFICATION: TBD

c. PACKAGING SPECIFICATION PER MOLEX DRAWING TBD

2. DESIGN MATERIALS:

a. SHROUD (PLASTIC HOUSING):  
RESIN - SPS 30%GF

b. HS STAC PINS:  
0.35mm PINS  
BASE MATERIAL: C70250  
PLATING TYPE: AS NOTED

0.64mm PINS:  
BASE MATERIAL: C26000  
PLATING TYPE: AS NOTED

150mm BLADES:  
BASE MATERIAL: C19400  
PLATING TYPE: AS NOTED

2.80mm BLADES:  
BASE MATERIAL: C19400  
PLATING TYPE: AS NOTED

3. PLATING REQUIREMENTS:

a. UNDERPLATING - OVERALL NICKEL

b. OVERPLATING - OVERALL TIN

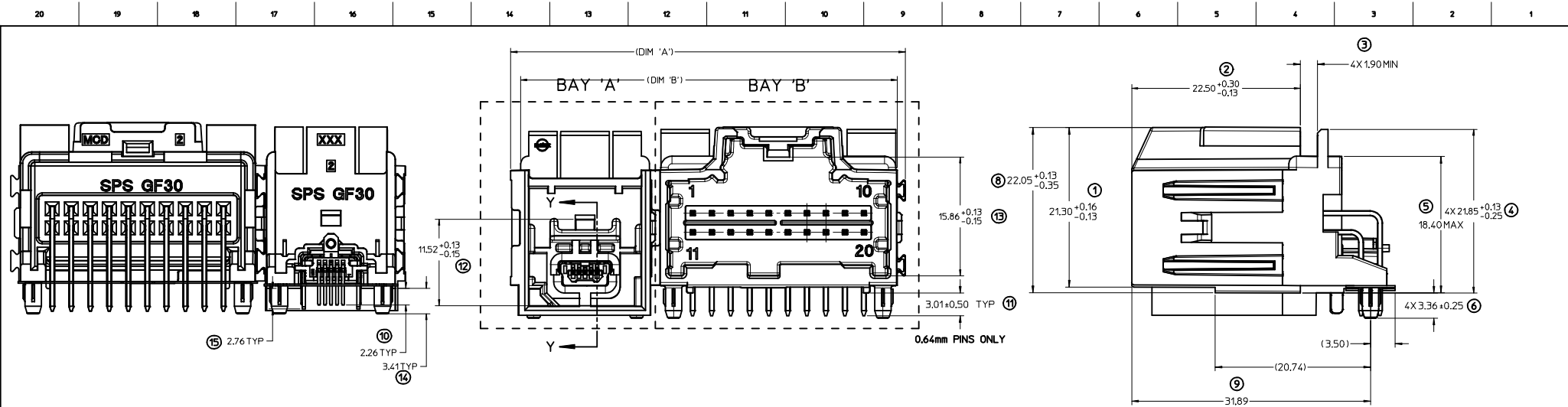
4. FOR DESCRIPTION OF INDIVIDUAL BAYS, REFER TO THE FOLLOWING

SINGLE BAY DRAWINGS:  
8-20 CKT 0.64: SD-34691-100  
10 CKT HYBRID: SD-34696-100  
HS STAC: SD-34786-100

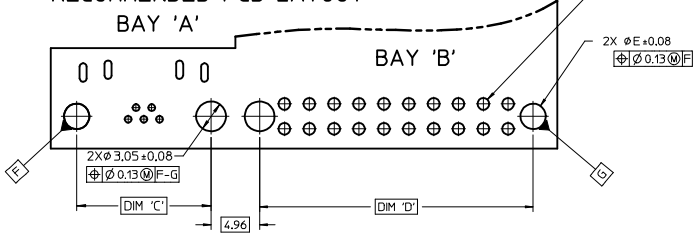
DIMENSIONAL CHART FOR MULTIBAY CONFIGURATION:

2 BAY PART NUMBER	BAY A			BAY B			DIM 'A'	DIM 'B'	DIM 'C'	DIM 'D'
	CKT	TYPE	POL	CKT	TYPE	POL				
34787-2000	-	HS	A	20	0.64mm	A	52.73	50.27	13.73	27.94
34787-2010	-	HS	A	-	HS	E	38.52	36.06	13.73	13.73
34787-2020	12	0.64mm	A	-	HS	A	42.57	40.11	13.73	17.78

REVISED EC NO: UAU2012-1387 DRAWN: DANIELE CHKD: APPR: SMARCEAU 2012/05/11 2012/05/11	QUALITY SYMBOLS	GENERAL TOLERANCES (UNLESS SPECIFIED)	DIMENSION STYLE	SCALE	DESIGN UNITS	THIRD ANGLE PROJECTION
	▽=0 ▽=0	mm INCH 4 PLACES ±--- ±--- 3 PLACES ±--- ±--- 2 PLACES ±0.13 ±--- 1 PLACE ±0.25 ±--- ANGULAR ± 1°	MM ONLY DRAWN BY: DANIELE DATE: 2010/06/24 CHECKED BY: JDUNA J DATE: 2010/06/29 APPROVED BY: SMARCEAU DATE: 2010/07/08	4:1	METRIC	TITLE: 2-BAY HSSTAC RIGHT ANGLE HEADER ASSEMBLY SALES DRAWING MOLEX INCORPORATED
	DRAFT WHERE APPLICABLE MUST REMAIN WITHIN DIMENSIONS	MATERIAL NO: SEE CHART DOCUMENT NO: SD-34787-200	SHEET NO: 1 OF 2	THIS DRAWING CONTAINS INFORMATION THAT IS PROPRIETARY TO MOLEX INCORPORATED AND SHOULD NOT BE USED WITHOUT WRITTEN PERMISSION		



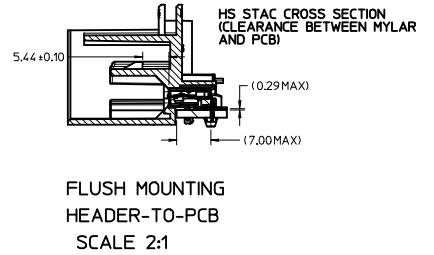
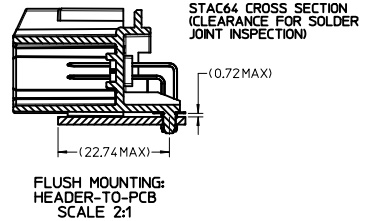
INSERT NECESSARY BAYS USING CHART ON SHEET 1.  
RECOMMENDED PCB LAYOUT



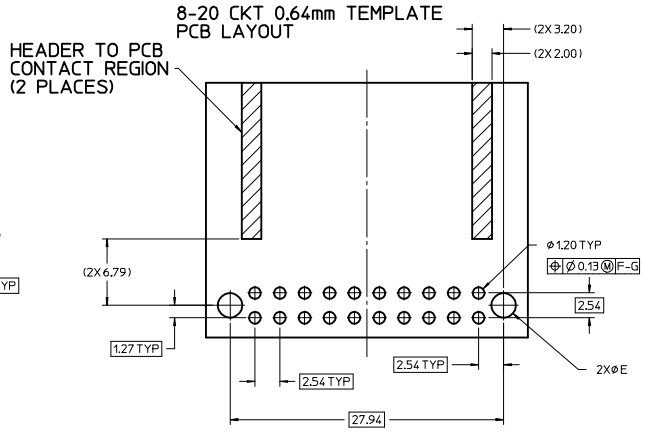
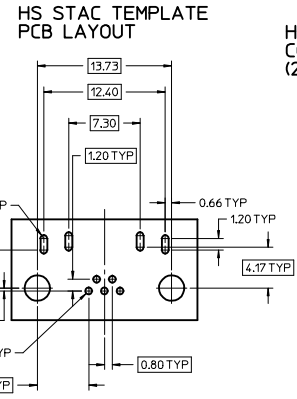
POST HOLE TABLE:

FOR DIM E:

PRESS FIT:	2.60
DROP IN:	3.05



\* RECOMMENDED FOR PIN THROUGH PASTE REFLOW PROCESSING \*



REVISED EC NO. UAU2012-1387 DRAWN/DANIELE 2010/05/10 CHKD: APPR:SMARCEAU 2012/05/11 DESCRIPTION	QUALITY SYMBOLS		GENERAL TOLERANCES (UNLESS SPECIFIED)		DIMENSION STYLE		SCALE	DESIGN UNITS	THIRD ANGLE PROJECTION
	$\nabla=0$ $\nabla=0$		mm	INCH	MM ONLY		4:1	METRIC	
	4 PLACES	±	---	---	---	---	---	---	---
	3 PLACES	±	---	---	---	---	---	---	---
DRAFT WHERE APPLICABLE MUST REMAIN WITHIN DIMENSIONS			APPROVED BY		DATE	MATERIAL NO.		DOCUMENT NO.	
			SMARCEAU		2010/07/08	SEE CHART		SD-34787-200	
			DRAWN BY		DATE	MOLEX INCORPORATED		SHEET NO.	
			DANIELE		2010/06/24	MOLEX INCORPORATED		2 OF 2	
			CHECKED BY		DATE	MOLEX INCORPORATED		SHEET NO.	
			JDUNAJ		2010/06/29	MOLEX INCORPORATED		2 OF 2	
			APPROVED BY		DATE	MOLEX INCORPORATED		SHEET NO.	
			SMARCEAU		2010/07/08	MOLEX INCORPORATED		2 OF 2	
			DRAWN BY		DATE	MOLEX INCORPORATED		SHEET NO.	
			DANIELE		2010/06/24	MOLEX INCORPORATED		2 OF 2	
			CHECKED BY		DATE	MOLEX INCORPORATED		SHEET NO.	
			JDUNAJ		2010/06/29	MOLEX INCORPORATED		2 OF 2	
			APPROVED BY		DATE	MOLEX INCORPORATED		SHEET NO.	
			SMARCEAU		2010/07/08	MOLEX INCORPORATED		2 OF 2	