

规格说明 Specifications:

电气特性 Electrical:

1. 额定电流: Current Rating
1.8A/contact terminal
2. 额定电压: Voltage Rating
30V DC
3. 接触电阻: Contact Resistance
30 milliohms MAX
4. 耐电压: Dielectric Withstanding Voltage:
500 V AC AT Sea Level
5. 绝缘电阻: Insulation Resistance:
1000MEGA ohms MIN

物理性能 Mechanical:

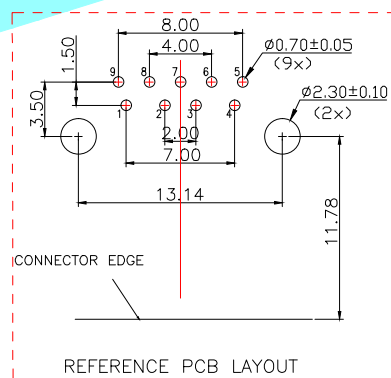
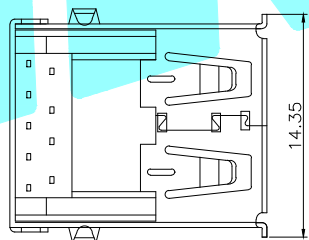
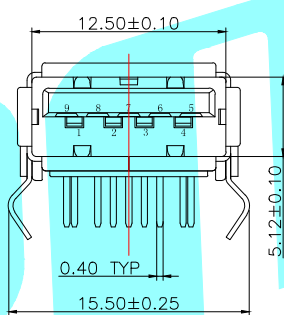
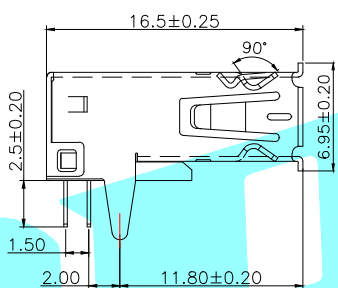
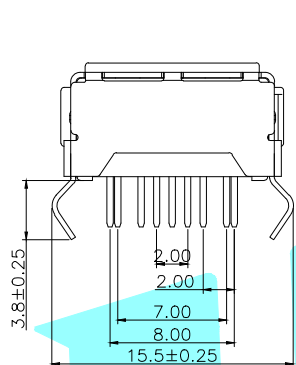
1. 插拔力: Connector Mate and Unmate Force
Mate force: 3.57kgf(MAX)
Unmate force: 1.02kgf(MIN)

原材料 Material:

1. 塑胶: Housing TBP 蓝胶防火
2. 端子 Contact: Copper Alloy C2680
3. 外壳 Shell: Copper Alloy C2680/SPCC

电镀 Finish:

1. 端子 Contact: Plated Gold in Mating Area;
Tin On Solder Talls
端子四周镀50U"(MIN) 锡, 镀金区域镀100-200U" 镀金1U"
2. 外壳 Shell:
铜壳四周镀80U"(MIN) 锡
Nickel Plating



PIN NUMBER	1	2	3	4	5	6	7	8	9	SHELL
SIGNAL NAME	VBUS	D-	D+	GND	SSRX-	SSRX+	GND	SSTX-	SSRT+	SHIELD

APPROVALS		DATE	
DRAWN	D.J.LV	2019/12/26	
CHECKED			
APPROVALS		TITLE: USB CONNECTOR	
		PART NO. U-A-39DD-Y-2	
TOLERANCES ARE	30~以上	±0.30	ANGLE
	10~30	±0.20	
	5~10	±0.15	
	~ 5	±0.10	
UNIT: mm		SCALE: 1:1	PROJ:
DRAWING NO.			SHEET 1 OF 1

HRD 翰豪 ELECTRONICS CO., LTD		
TITLE: USB CONNECTOR		
PART NO. U-A-39DD-Y-2		
UNIT: mm	SCALE: 1:1	PROJ:
DRAWING NO.		SHEET 1 OF 1

ECN NO.	REV.	DATE.	DESCRIPTION.	CHANGE.	CHECK.	APPRO.
	A		NEW			