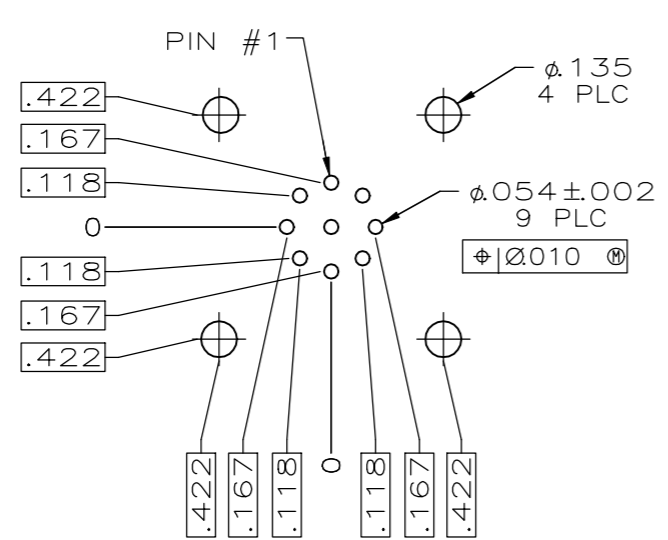
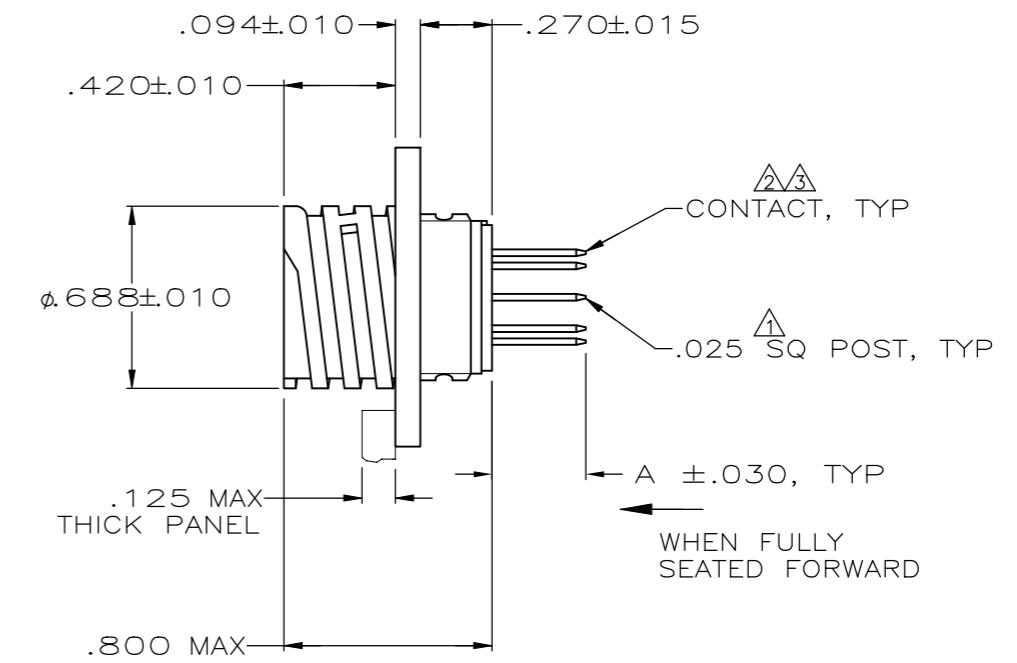
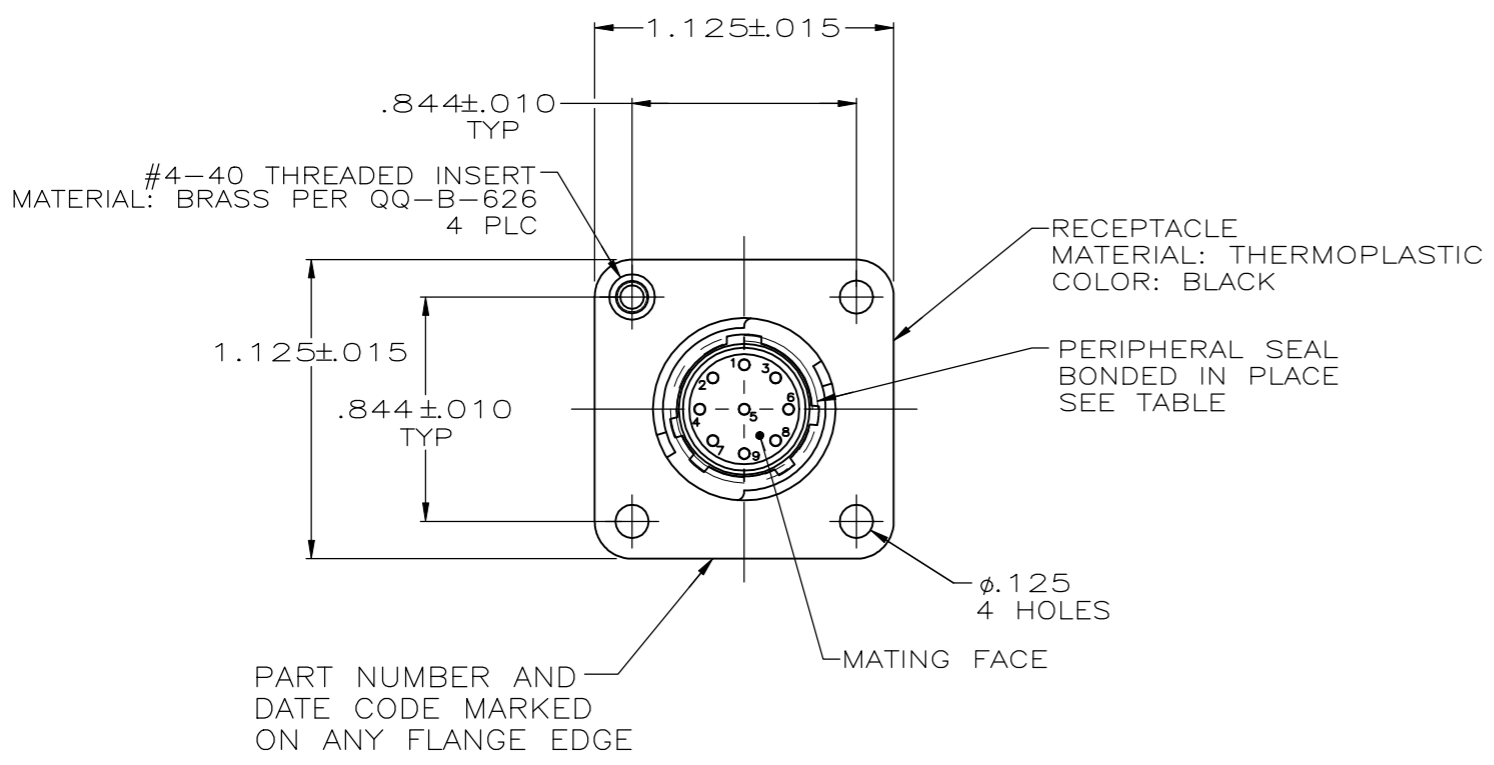


| REVISIONS | | | | | |
|-----------|-----|---------------------------|-----------|-----|------|
| P | LTR | DESCRIPTION | DATE | DWN | APVD |
| T2 | | REVISED PER ECO-16-004800 | 12SEP2016 | NK | MZ |
| U | | REVISED PER ECO-17-004657 | 05APR2017 | RS | MZ |
| U1 | | REVISED PER ECO-17-015159 | 16OCT2017 | RS | MZ |
| V | | REVISED PER ECO-18-015539 | 04OCT2018 | RS | MZ |

- 1 POSTS WILL BE ORIENTED WITH SEAM TOWARD INK STAMPED EDGE, OR ROTATED 180°.
- 2 .000030 MIN GOLD FOR A LENGTH OF .200 MIN FROM MATING END, .000100 MIN TIN-LEAD FOR A LENGTH OF DIMENSION 'A' FROM OPPOSITE END, ALL OVER .000050 MIN NICKEL.
- 3 .000030 MIN GOLD FOR A LENGTH OF .200 MIN FROM MATING END, .000100 MIN TIN FOR A LENGTH OF DIMENSION 'A' FROM OPPOSITE END, ALL OVER .000050 MIN NICKEL.



RECOMMENDED PC BOARD LAYOUT

| | | | | | |
|----------|---|----------------|-------|-----------------|------------------|
| | 3 | .125 | NO | NO | 1-206852-2 |
| | 3 | .352 | NO | NO | 1-206852-1 |
| OBSOLETE | 2 | .125 | YES | YES | 1-206852-0 |
| OBSOLETE | 2 | .796 | YES | YES | 206852-9 |
| | - | - | NO | YES | 206852-8 |
| OBSOLETE | 2 | - | NO | NO | 206852-7 |
| OBSOLETE | 2 | - | NO | NO | 206852-6 |
| OBSOLETE | 2 | - | NO | NO | 206852-5 |
| OBSOLETE | 2 | .352 | NO | NO | 206852-4 |
| OBSOLETE | 2 | .574 | NO | NO | 206852-3 |
| | 2 | .125 | NO | NO | 206852-2 |
| OBSOLETE | 2 | .352 | NO | NO | 206852-1 |
| | | CONTACT FINISH | DIM A | PERIPHERAL SEAL | THREADED INSERTS |
| | | | | | PART NUMBER |

THIS DRAWING IS A CONTROLLED DOCUMENT.

DWN: J. GALLUCCI BG 5-22-91
 CHK: W.G. LENKER 4-13-92
 APVD: -

TE Connectivity
 RECEPTACLE ASSEMBLY, POSTED, STD SEX, SERIES 2, 11-9, CPC

PRODUCT SPEC: 108-10024
 APPLICATION SPEC: -

SIZE: A2 CAGE CODE: 00779 DRAWING NO: C-206852 RESTRICTED TO: -

MATERIAL: SEE CALLOUT FINISH: - WEIGHT: - SCALE: 2:1 SHEET: 1 of 1 REV: V

CUSTOMER DRAWING