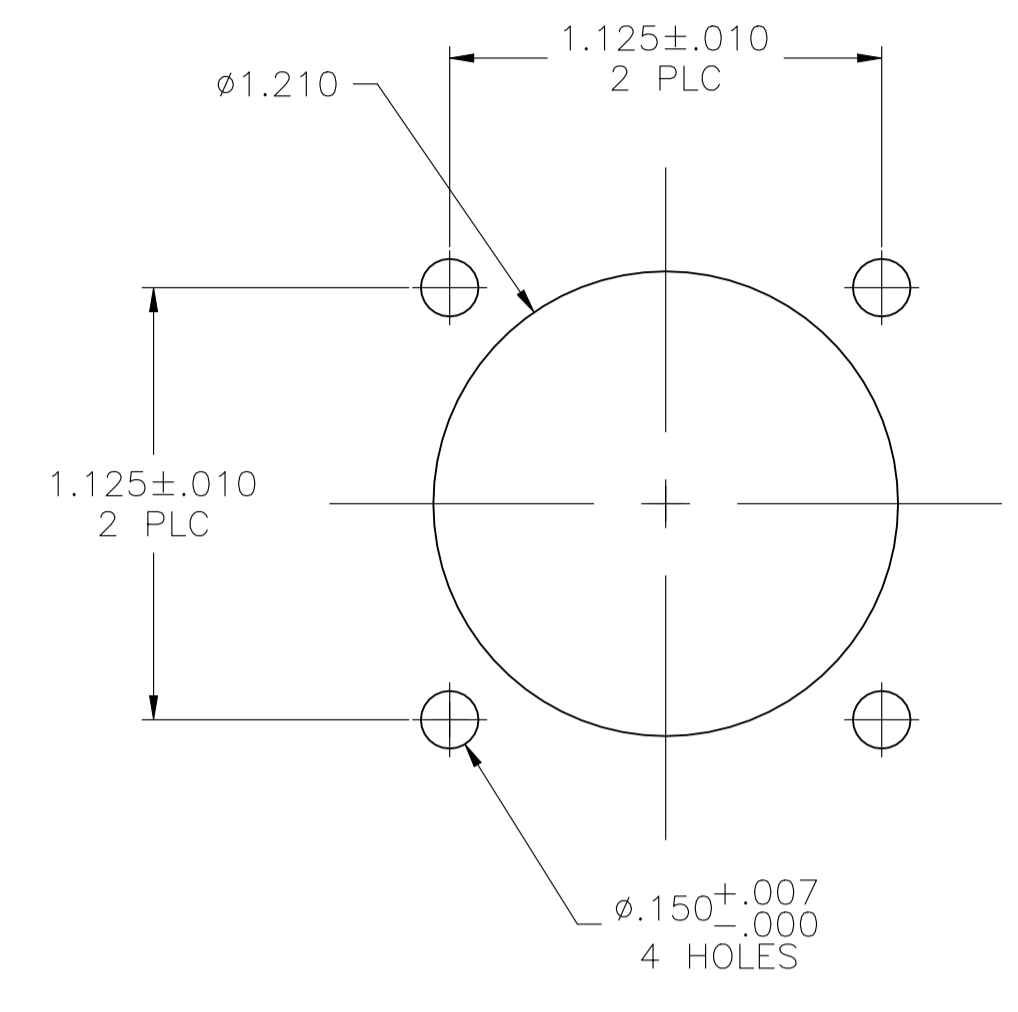
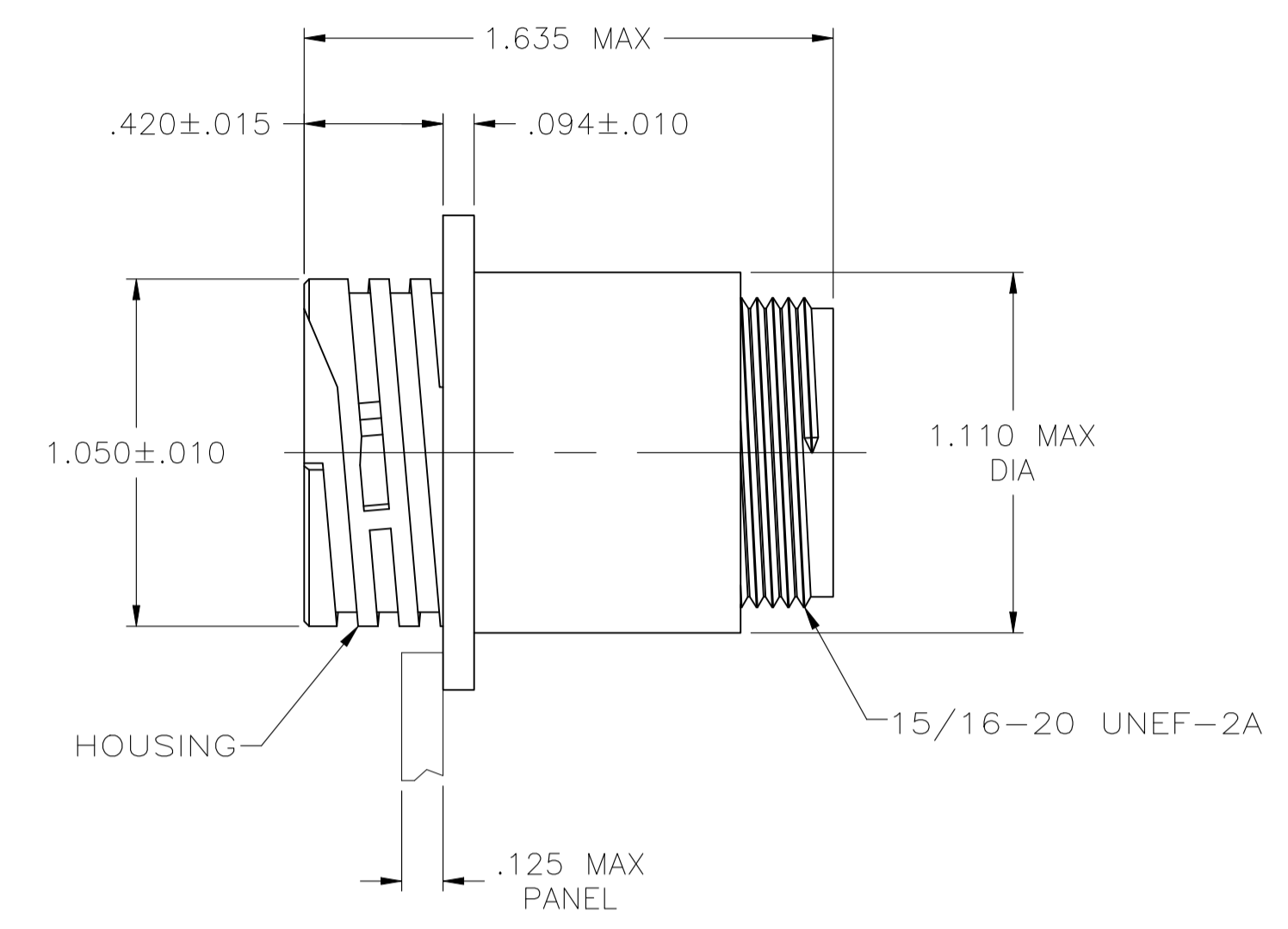
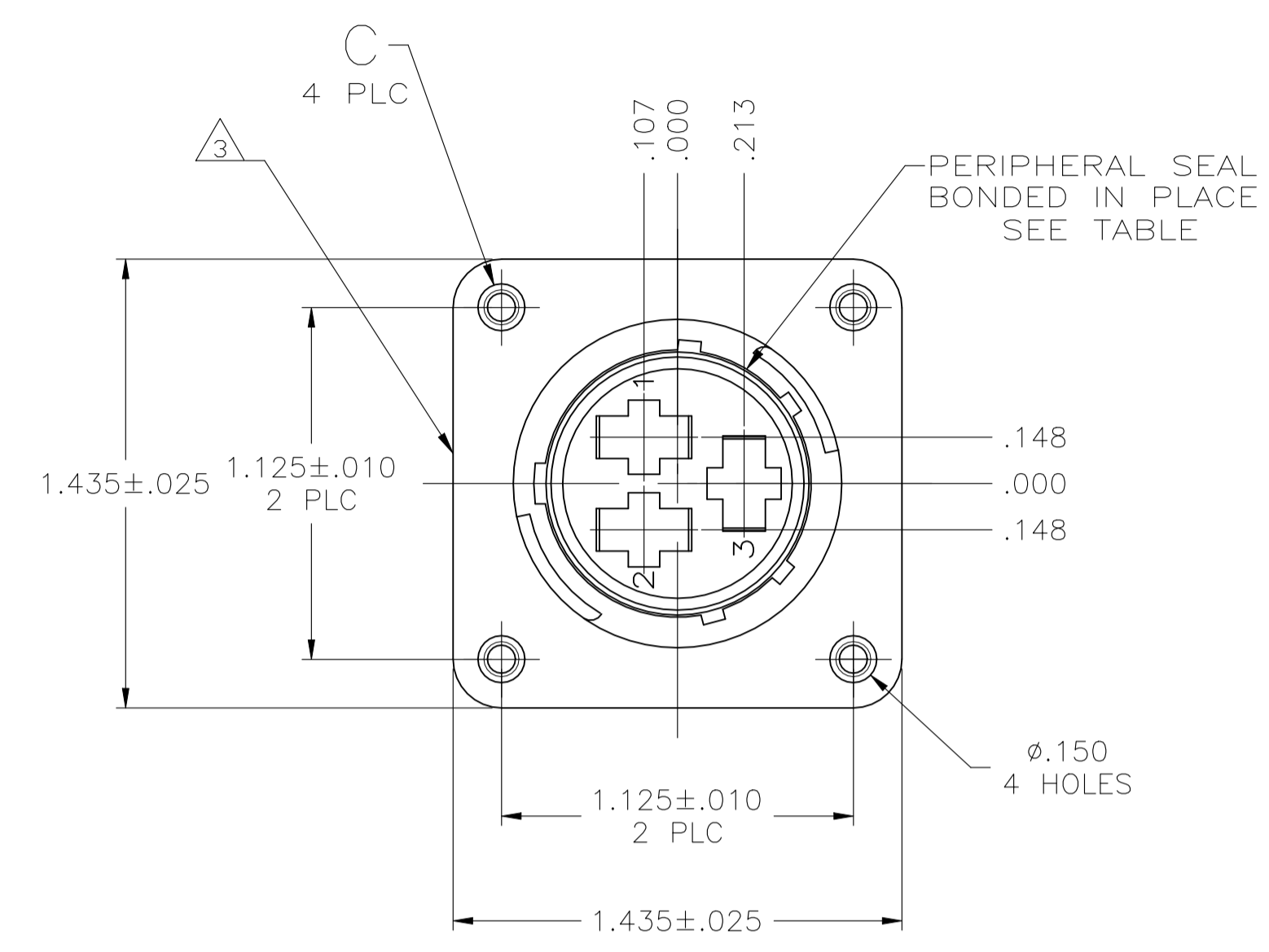
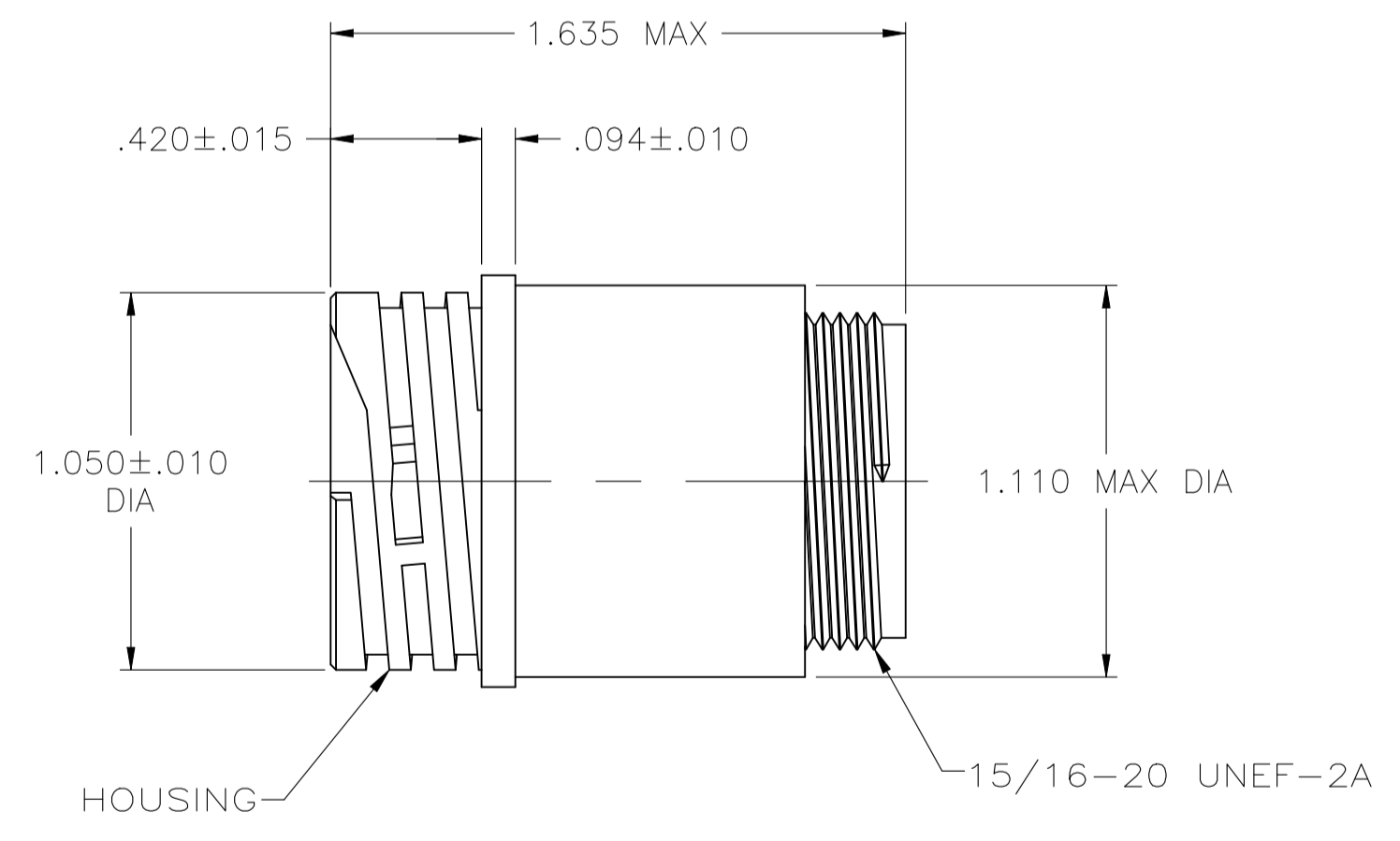
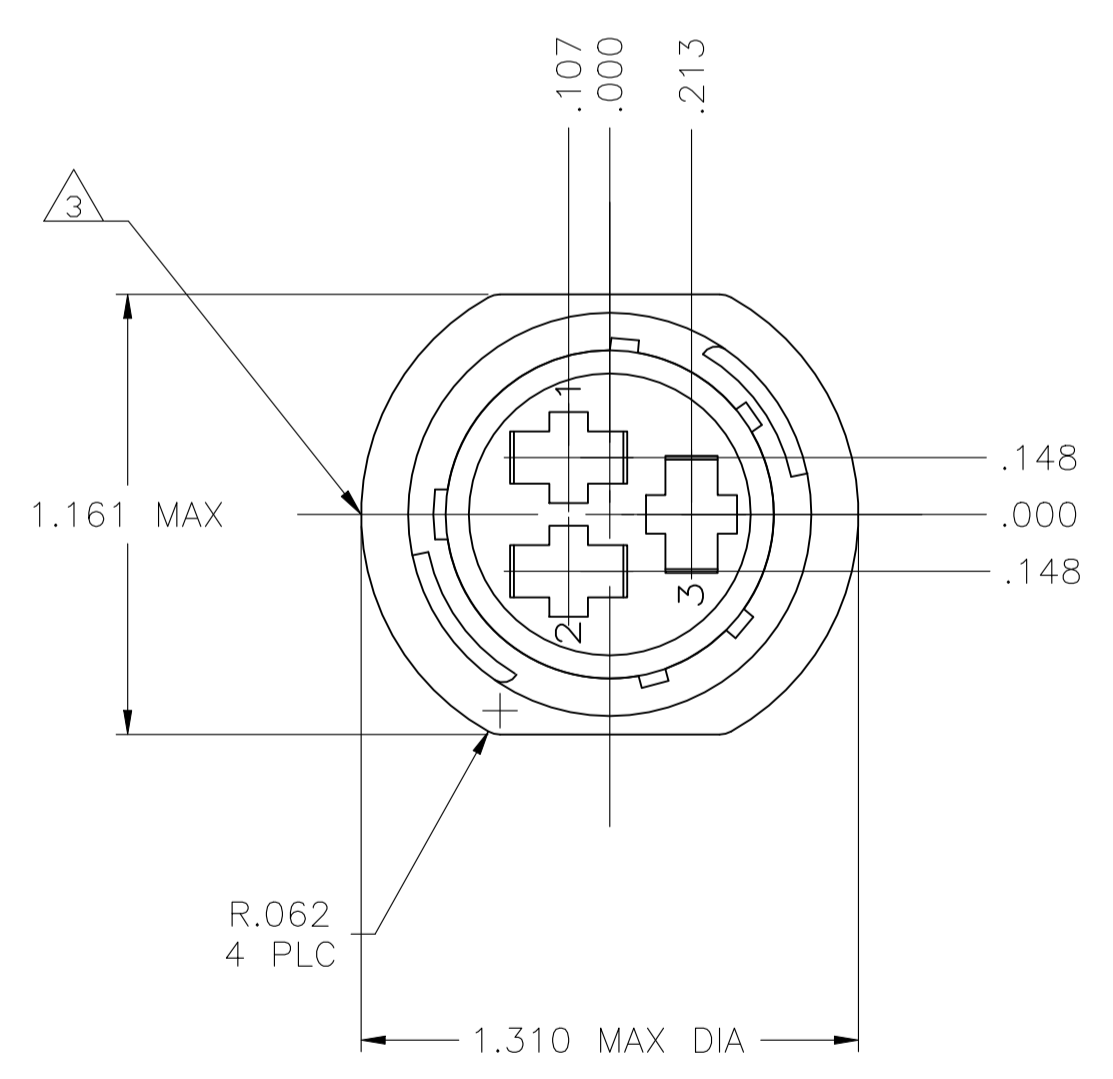


REVISIONS				
P	LTR	DESCRIPTION	DATE	APVD
K		REVISED PER ECO-21-006945	28OCT2021	RK MZ



DETAIL A

RECOMMENDED PANEL CUTOUT



DETAIL B

- NOTES:**
- CAVITY IDENTIFICATION ON FRONT AND REAR FACE.
 - WILL ACCEPT (3) TYPE XII SOCKET CONTACTS.
- TE LOGO AND PART NUMBER CAN BE LOCATED ON ANY FLANGE EDGE.

4-40 THREADED INSERTS	NO	A	206425-5
.150±.003	YES	A	206425-3
.150±.003	NO	B	206425-2
.150±.003	NO	A	206425-1
C	PERIPHERAL SEAL	SEE DETAIL	PART NUMBER

THIS DRAWING IS A CONTROLLED DOCUMENT.		DIN M. BINNER 06/01/94	TE Connectivity
DIMENSIONS: INCHES		CHK R. STONE 6-23-94	
TOLERANCES UNLESS OTHERWISE SPECIFIED:		APVD	NAME
0 PLC ± - 1 PLC ± - 2 PLC ± .005 3 PLC ± - 4 PLC ± - ANGLES ± -		PRODUCT SPEC 108-10024	RECEPTACLE HOUSING, REVERSE SEX, SHELL SIZE 17, CPC
MATERIAL: HOUSING: NYLON, BLACK SEAL: ELASTOMER, GREY		FINISH -	RESTRICTED TO
CUSTOMER DRAWING		WEIGHT -	SIZE: A1 00779 C=206425
SCALE 2:1		SHEET 1 of 1	REV K