

THIS DRAWING IS UNPUBLISHED. RELEASED FOR PUBLICATION JUN , 1998.
 © COPYRIGHT 1998 By Tyco Electronics Japan G.K. ALL RIGHTS RESERVED.

LOC	DIST	REVISIONS					
		P	LTR	DESCRIPTION	DATE	DWN	APVD
J	—		E	REVISED PER ECR-19-008650	03JUL2019	BDA	SW

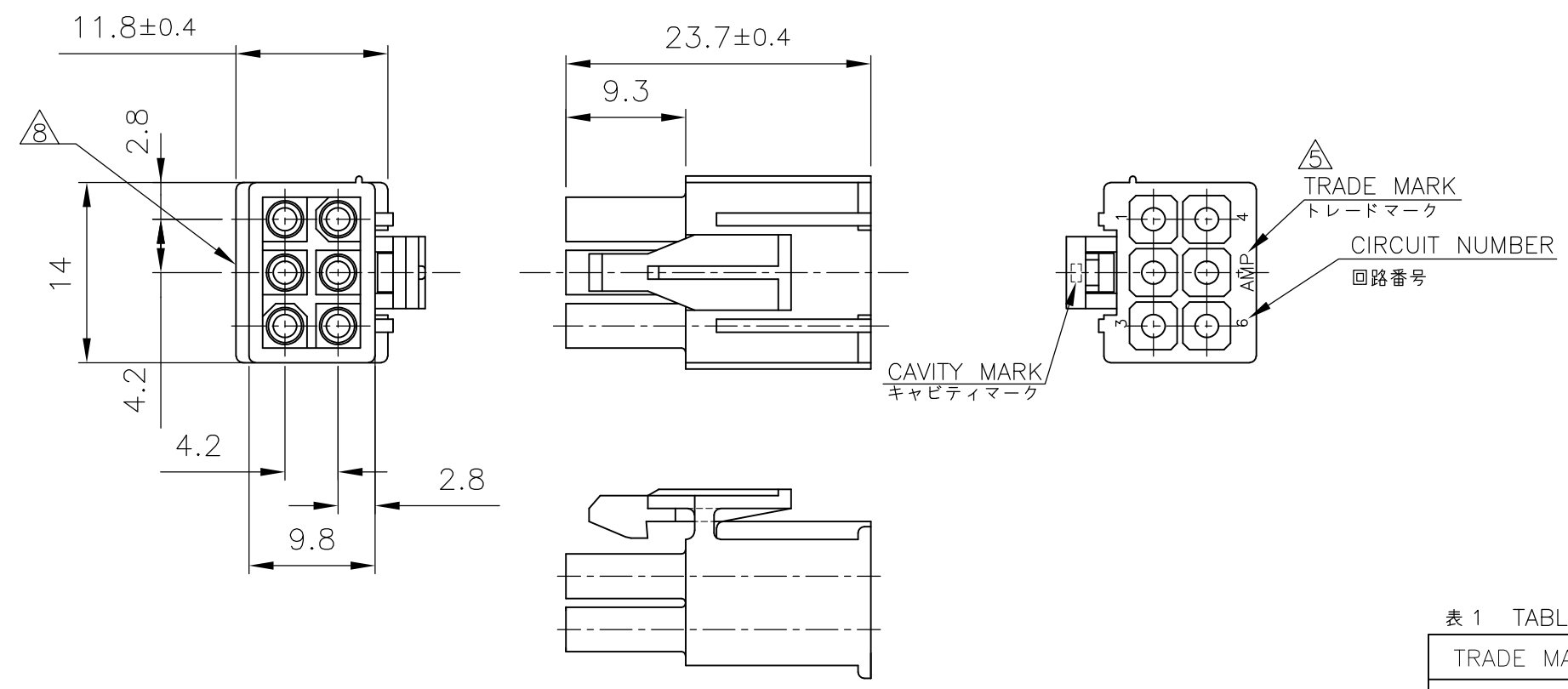


表 1 TABLE 1

TRADE MARK	MANUFACTURING PLACE
-AMP OR AMP	JAPAN
-+AMP OR AMP	CHINA (PRC)

- NOTE)
1. APPLIED CONTACT P/N:170359,170360,170361,170362
 2. MATING CONN. :CAP HOUSING P/N:172160
 3. INSTRUCTION SHEET :IS-105J
 4. PRODUCT SPEC :108-5138
- △5 SEE TABLE 1
- △6 OBSOLETE PARTS: OBSOLETE CIS STREAMLINING PER D.RENAUD/D.SINISI
- △7 PRELIMINARY PART NOT RELEASED FOR PRODUCTION.
- △8 UNDERWRITERS RECOGNIZED COMPONENT LOGO AND CSA CERTIFICATION LOGO TO BE LOCATED AS SHOWN

- 注記)
1. 使用端子親型番は 170359,170360,170361,170362
 2. 嵌合相手キャップハウジング型番はロ-172160-□
 3. 取扱説明書 :IS-105J
 4. 製品規格:108-5138
- △5 表1参照
- △6 OBSOLETE PARTS: OBSOLETE CIS STREAMLINING PER D.RENAUD/D.SINISI

△7	自然色 (NATURAL)	2-172168-1
△8	黒色 (BLACK)	1-172168-9
△6 OBSOLETE	(BLUE)	1-172168-6
	(GREEN)	1-172168-5
△8	赤色 (RED)	1-172168-2
△8	自然色 (NATURAL)	172168-1
	色 (COLOR)	製品型番 (PART NO.)

THIS DRAWING IS A CONTROLLED DOCUMENT.		DWN N.YAMASAKI 15JUN1998	TE Connectivity	
DIMENSIONS: 単位: 耗 mm		CHK M.SHINDO 15JUN1998		
TOLERANCES UNLESS OTHERWISE SPECIFIED: 一般公差		APVD M.SHINDO 15JUN1998	NAME 名称	
0 PLC ± 0.3		PRODUCT SPEC 製品規格	MINI UNIVERSAL MATE-N-LOK	
1 PLC ± 0.3		108-5138	PLUG HOUSING 6POS. UL94V-0	
2 PLC ± 0.3		APPLICATION SPEC 取付適用規格	6極ミニ・ユニバーサル メイテンロック コネクタ プラグハウジング	
3 PLC ± 0.3		WEIGHT	SIZE A3	CAGE CODE 00779
4 PLC ± 0.3			DRAWING NO	番号
ANGLES ± 1°			C-172168	
MATERIAL 材料 66NYLON (UL94V-0)	FINISH 仕上	CUSTOMER DRAWING		RESTRICTED TO
		SCALE 尺度 2:1	SHEET 1 OF 1	REV E