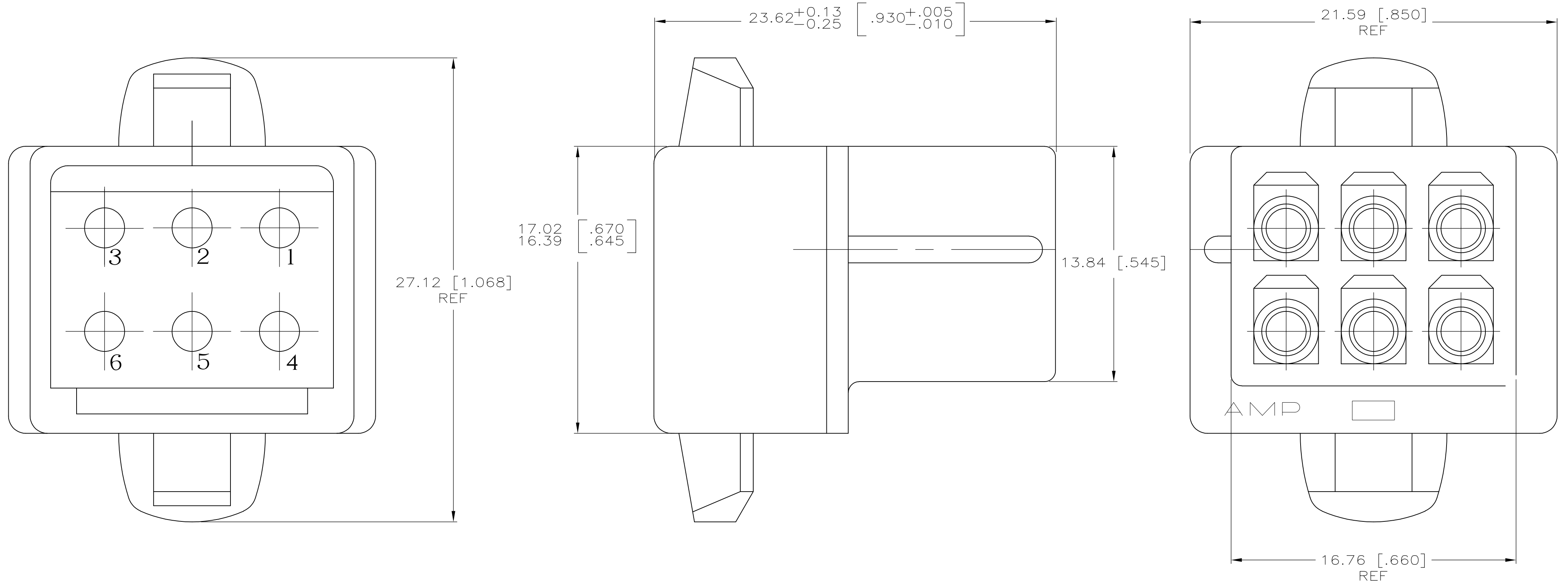


THIS DRAWING IS UNPUBLISHED. RELEASED FOR PUBLICATION
 © COPYRIGHT - By - ALL RIGHTS RESERVED.

LOC	DIST	REVISIONS			
P	LTR	DESCRIPTION	DATE	DWN	APVD
CM	00	W2	REVISED PER ECR-15-003268	28FEB15	SC KD

1. TO BE USED WITH MATE-N-LOK PINS.
 2. TO BE USED WITH PLUG 480273.
- 3** FOREIGN PRODUCTION ONLY.



3	YELLOW	1-480276-4
	NATURAL	1-480276-0
	COLOR	PART NO.

THIS DRAWING IS A CONTROLLED DOCUMENT.		DWN S. HOOVER 25-MAR-2004	STE TE Connectivity	
DIMENSIONS: mm [INCHES]		CHK D. COLEY 25-MAR-2004		
TOLERANCES UNLESS OTHERWISE SPECIFIED:		APVD D. COLEY 25-MAR-2004	NAME	
0 PLC ±		PRODUCT SPEC	CAP, 6 CIRCUIT MATE-N-LOK(TM)	
1 PLC ±		APPLICATION SPEC	SIZE A2	CAGE CODE 00779
2 PLC ±		WEIGHT	SCALE 6:1	SHEET 1 of 1
3 PLC ± 0.13 [.005]		CUSTOMER DRAWING	REV W2	
4 PLC ±				
4 PLG ±				
ANGLES ±				
FINISH				

METRIC