

# SURFBOARDS®

THE BREADBOARDING MEDIUM FOR SURFACE MOUNT™



## 33000 SERIES APPLICATION SPECIFIC ADAPTERS

IDS33406  
REV A-10-2011

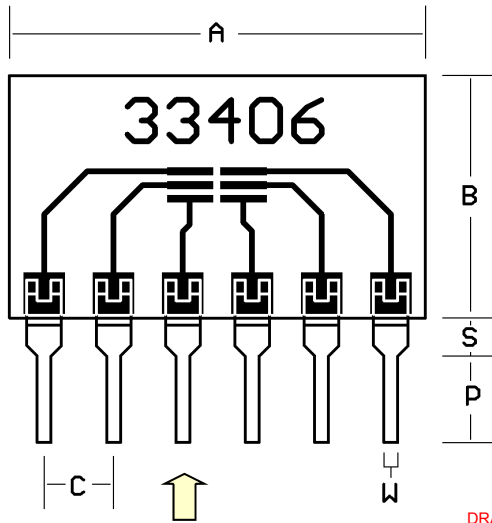
MODEL **33406**

ACCEPTS  
(PARTIAL LISTING)

**SC-75-6, SC-89,  
SOT-66, SOT-563, SOT-666**

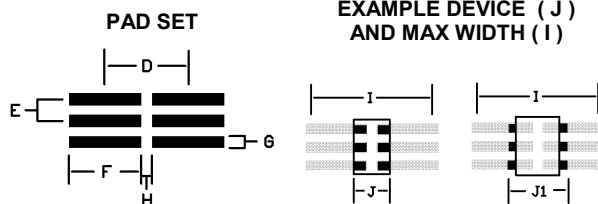
6 LEAD .5 mm PITCH DEVICES

DEVICE LEAD WIDTHS 1.0, 1.5, 1.6, 1.65, To Max 3.3



SINGLE-IN-LINE (SIP) PINS  
ON .100 in. CENTERS

DRAWINGS  
NOT TO  
SCALE



MOUNTING PADS ARE OVERSIZED IN LENGTH TO  
ACCEPT A WIDER RANGE OF DEVICE WIDTHS AND  
TOLERANCES AND TO PERMIT HAND SOLDERING.

[SEE WEBSITE FOR SOLDERING SUGGESTIONS](#)

KEC	TES6
NATIONAL	LLP COL 2x2x0.6mm 6LD
MAXIM	6L UDFN 1.5x1.0x0.75mm
ON SEMI	UDFN6 1.45x1.0,0.5P, ULLGA6 1.45x1.0,0.5P
PANASONIC	SSMini6-F1, SSMini6-F2, WSSMini6-F1
RENESAS	SMFPAK-6
ROHM	WEMT6, EMT6
TEXAS INST.	DRL (R-PDSO-N6), DRY (R-PDSO-N6), DSE (R-PDSO-N6)
TOSHIBA	ES6

ALWAYS CONSULT DEVICE DATA SHEET TO INSURE PROPER FIT

FIG.	MM	IN.	NOTE:
A	15.24	.600	BOARD WIDTH +/- .5mm .020in.
B	8.89	.350	BOARD HEIGHT +/- .5mm .020in.
C	2.54	.100	SIP PIN SPACE +/- .20mm .008in.
D	1.95	.077	PAD CENTERLINE
E	.5	.020	DEVICE LEAD PITCH
F	1.7	.067	PAD LENGTH
G	.3	.012	PAD WIDTH
H	.25	.010	GAP
I	3.3	.130	MAX LEAD WIDTH
J	1.0	.039	TYPICAL LEAD WIDTH
J1	1.6	.063	VARIATION LEAD WIDTH
P	3.3	.130	LENGTH FROM SHOULDER +/- .5mm .020in.
S	1.57	.062	PIN SHOULDER HEGHT
W	.5	.020	PIN WIDTH

TOLERANCES: If not noted are +/- 20%. Nominal values are given. Controlling unit is Millimeters. Slight Variations due to manufacturing process can occur.

### BOARD SPECIFICATIONS

BOARD MATERIAL: .8mm, +/- .13mm .031in +/- .005 in.  
Thick G-10 FR-4 Glass Epoxy or equivalent.

CIRCUITS: 1 oz. Copper with RoHS compliant Lead Free solder coating. Patten Position on board +/- .5mm .020in.



Copyright 2011 by Capital Advanced Technologies, Inc. All rights reserved. Surfboards is a registered trademark of Capital Advanced Technologies, Inc. The Breadboarding medium for surface mount, and the Leaf Circuit Logo are trademarks of Capital Advanced Technologies, Inc. All other trademarks are the property of their respective owners. Specifications, availability, and price is subject to change without notice. All information given is believed to be accurate but is not guaranteed. The user of information given or products represented by such information is responsible for determining the suitability of said information or products for a given purpose. No inducement is intended or permission granted for infringement of any patent or unauthorized use of any intellectual property of Capital Advanced Technologies or others.

**CAPITAL ADVANCED TECHNOLOGIES, INC.**  
CAROL STREAM, ILLINOIS. USA PHONE 630-690-1696 FAX 630-690-2498  
[WWW.CapitalAdvanced.Com](http://WWW.CapitalAdvanced.Com)

MADE  
IN  
USA