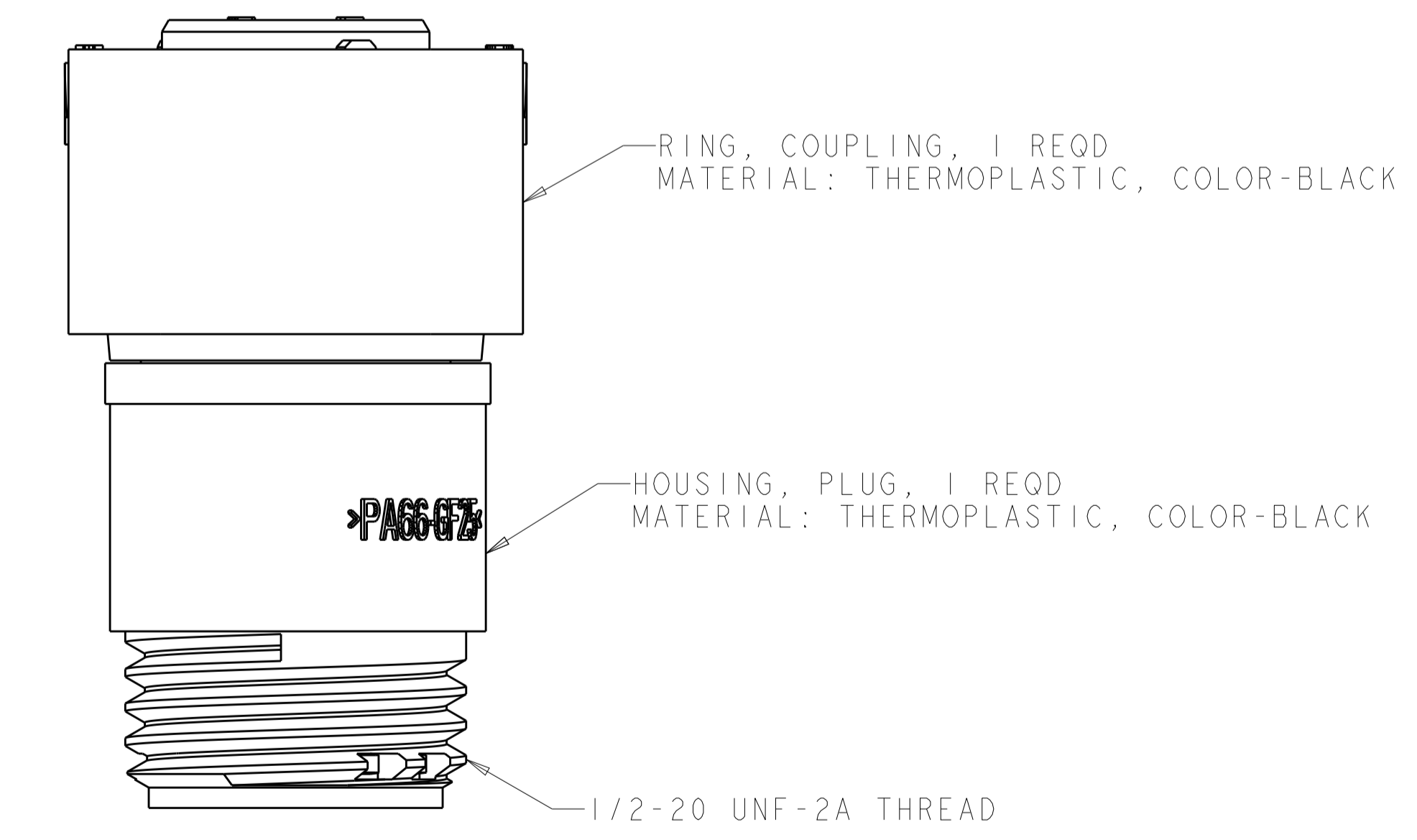
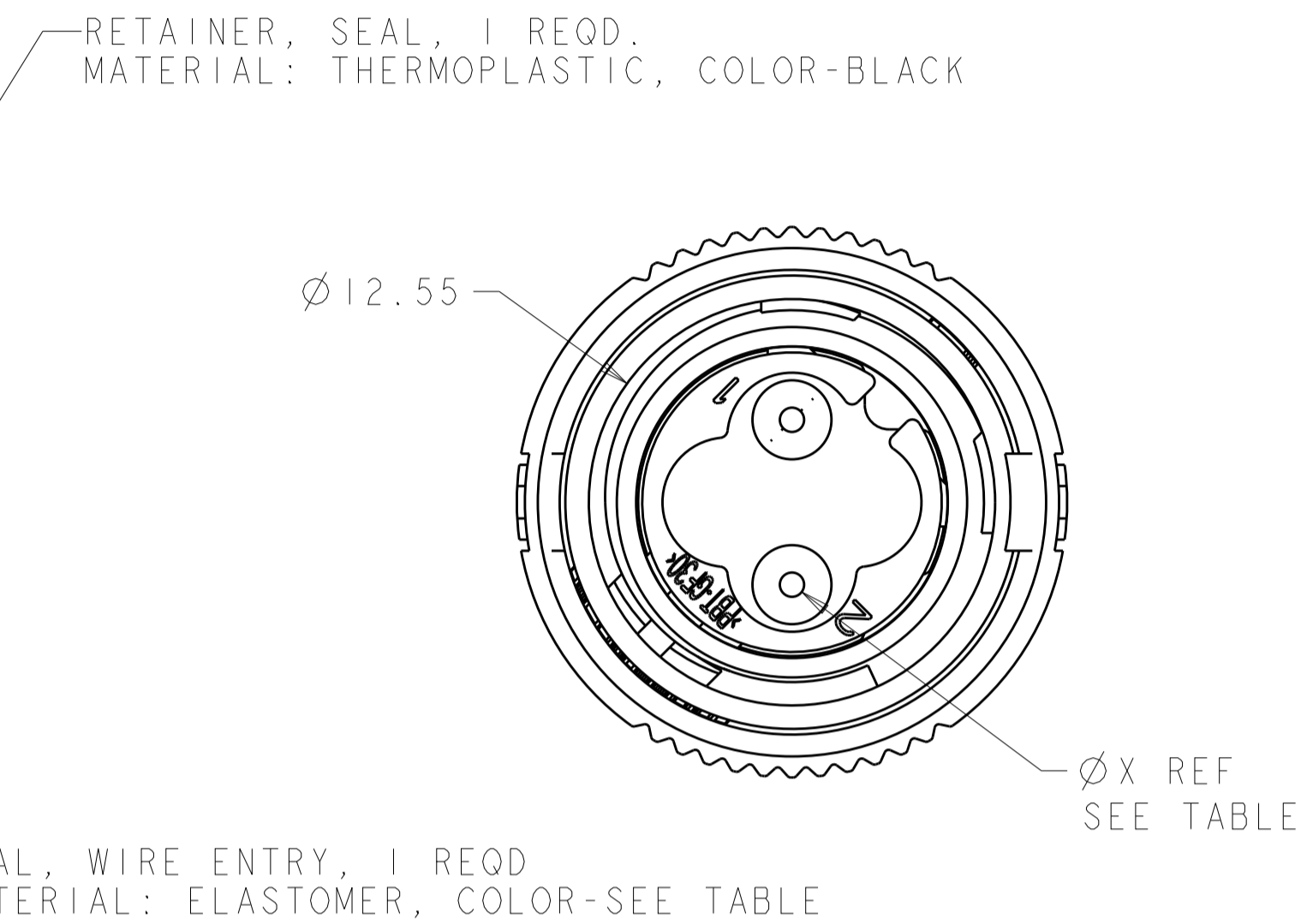
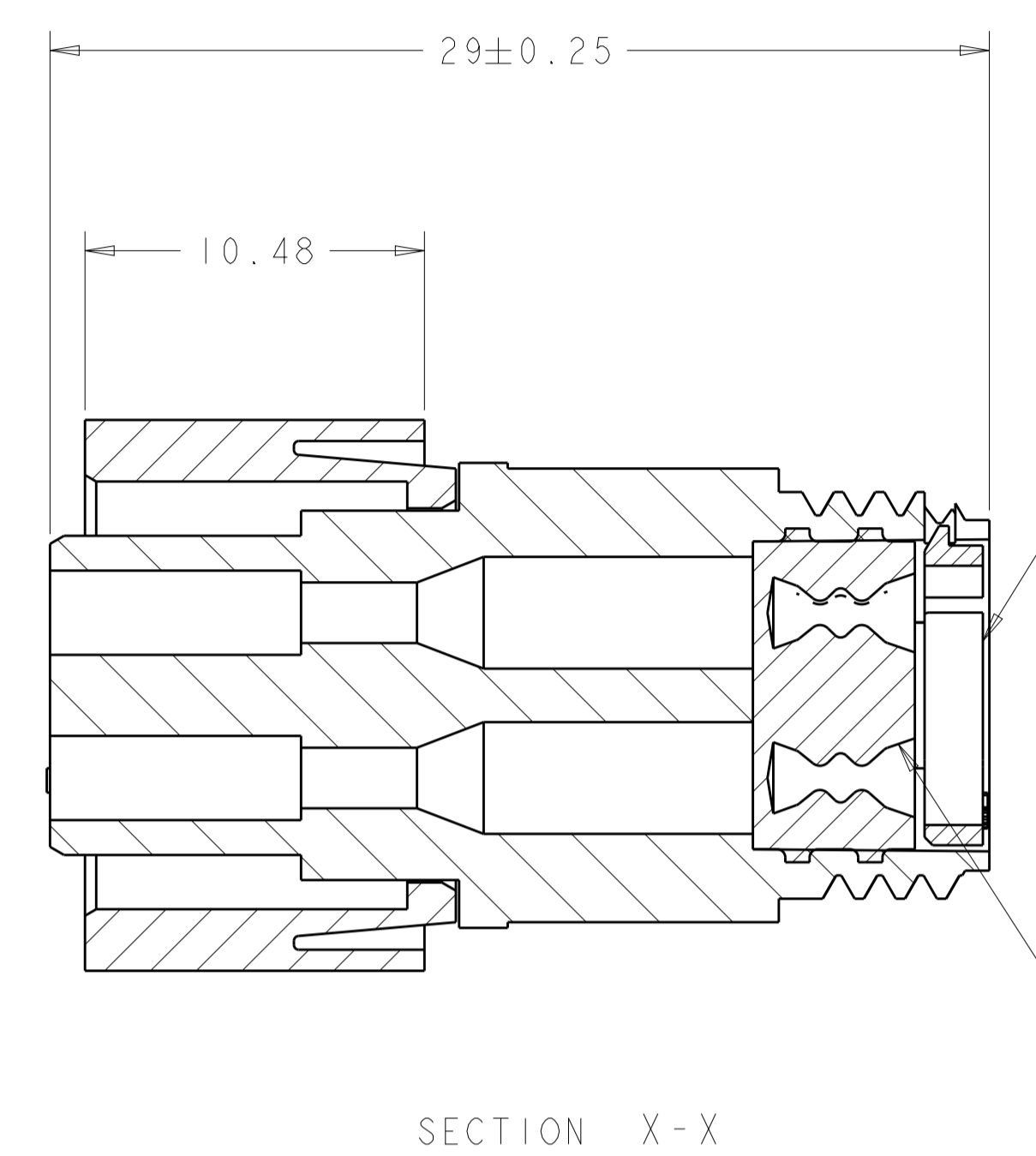
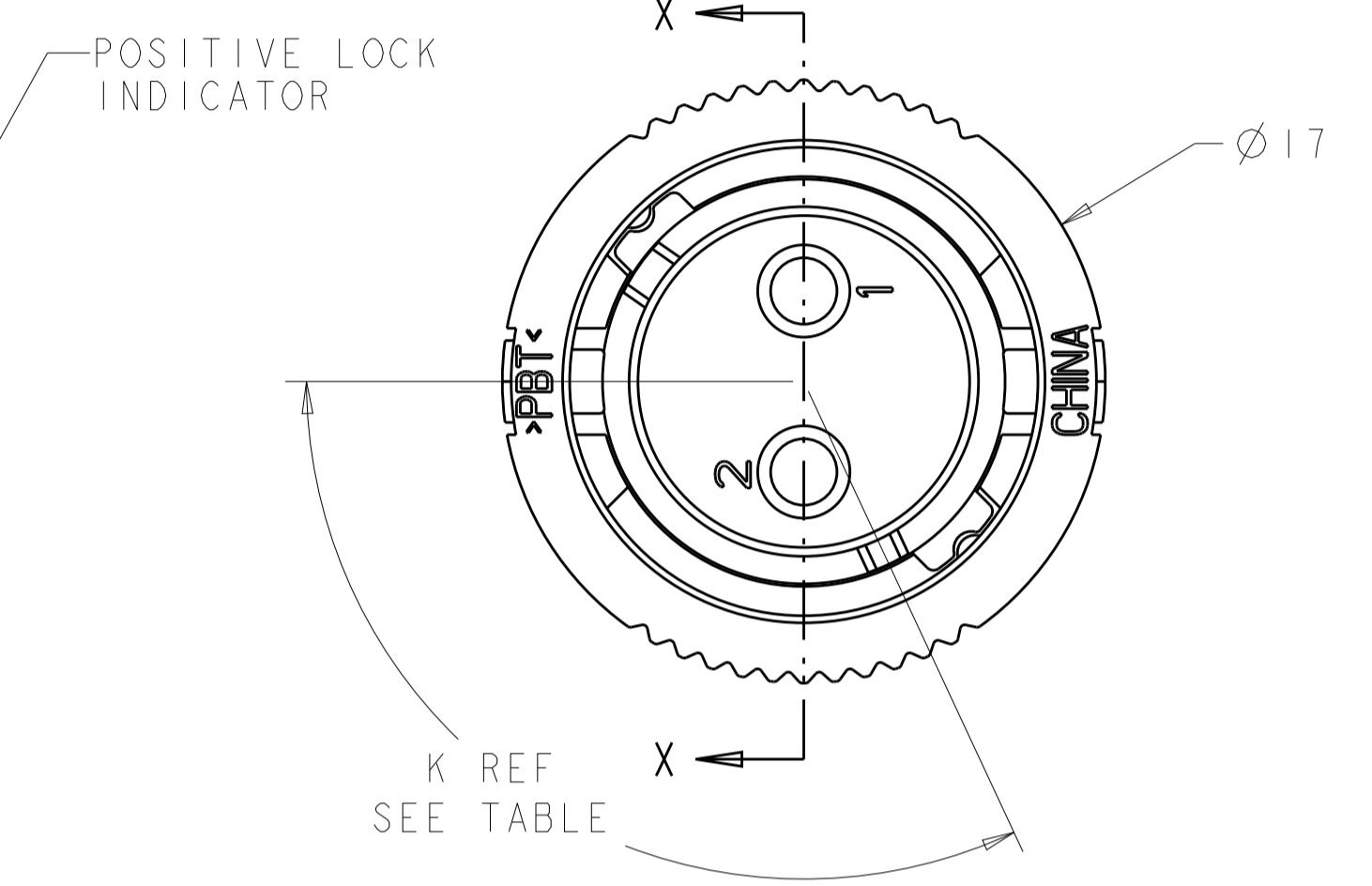
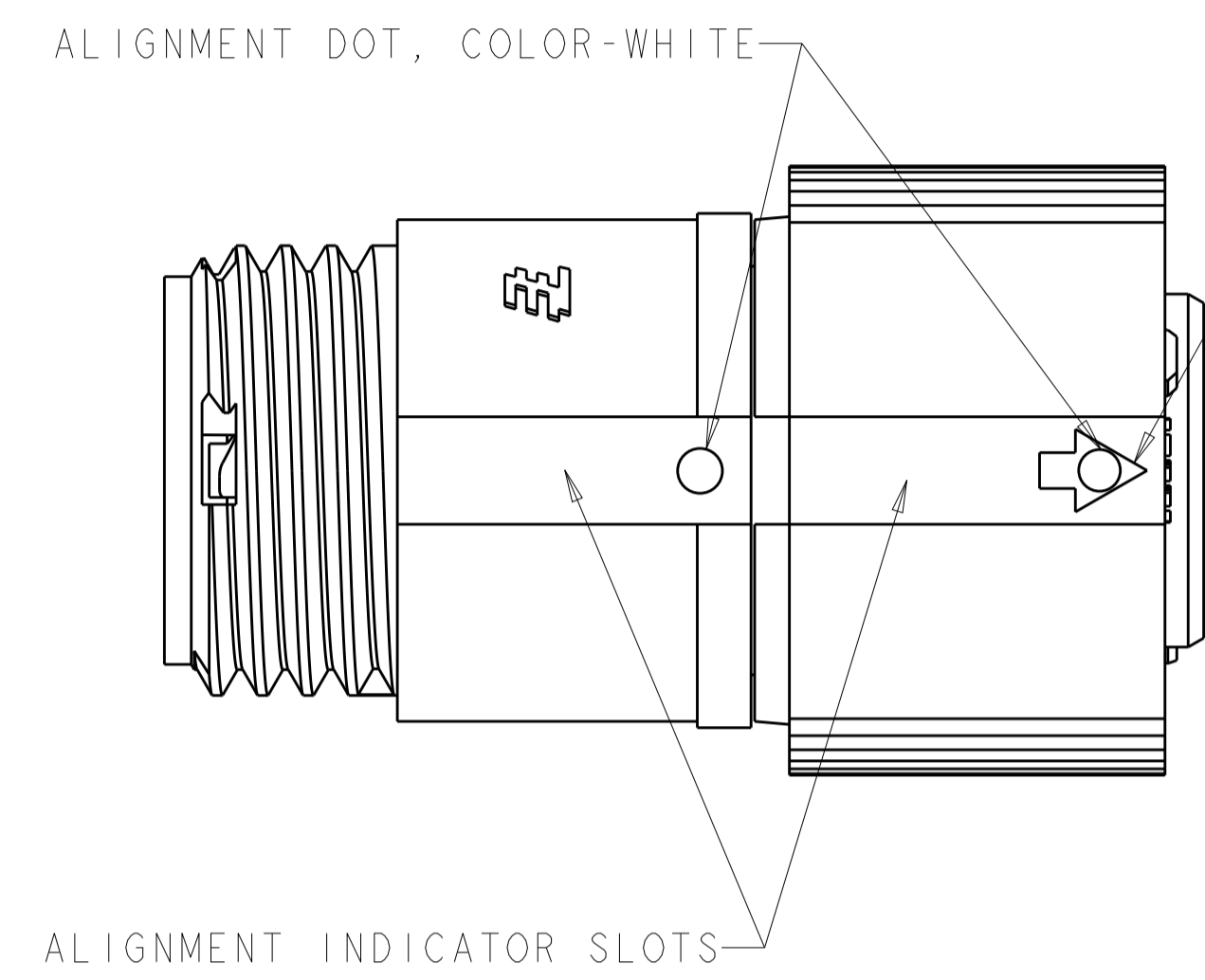


REVISIONS				
P.	LTN	DESCRIPTION	DATE	APVD
B3		REVISED PER ECO-15-010004	13JUL2015	NK MZ
C		REVISED PER ECO-16-018352	24MAR2017	RS MZ



OBSOLETE	YELLOW	Ø 0.75	130°	1445535-04
	NATURAL	Ø 1.5	115°	1445535-03
OBSOLETE	NATURAL	Ø 1.5	130°	1445535-02
	YELLOW	Ø 0.75	115°	1445535-01
	SEAL, WIRE ENTRY COLOR	Ø X REF	K REF	PART NUMBER

THIS DRAWING IS A CONTROLLED DOCUMENT.

DIMENSIONS: mm

TOLERANCES UNLESS OTHERWISE SPECIFIED:

0 PLC	±
1 PLC	±0.5
2 PLC	±0.13
3 PLC	±0.013
4 PLC	±0.0001
ANGLES	±

MATERIAL: SEE CALLOUT

FINISH: SEE CALLOUT

APPROVALS:

DWN	S. WIEST	07MAY2001
CHK	G. DOUITY	07MAY2001
APVD	H. WAKEEM	12JUN2003

NAME: ASSEMBLY, PLUG, SIZE 8, 2 POSITION, SEALED, MINI CPC

SIZE: A1

SCALE: 5:1

SHEET 1 OF 1

REV C