

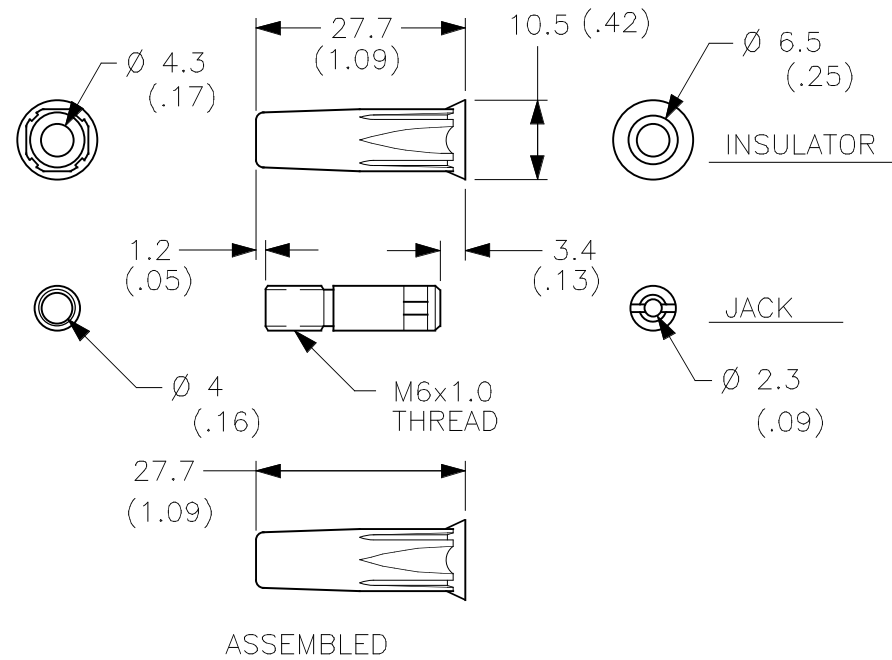
THIS IS ISSUED IN STRICT CONFIDENCE THAT IT IS NOT USED AS A BASIS FOR MANUFACTURE OR SALE AND THAT IT IS NOT COPIED, REPRINTED OR DISCLOSED TO A THIRD PARTY EITHER WHOLLY OR IN PART WITHOUT THE PRIOR WRITTEN CONSENT OF CAL TEST ELECTRONICS, INC.

- DO-IT-YOURSELF (DIY) 4 mm IN-LINE JACK, SOLDER ATTACHMENT.
- SPECIFICATIONS:
INSULATOR BODY: POLYAMIDE (NYLON)
JACK BODY: BRASS, NICKEL PLATED
- RATING:
VOLTAGE: 1,200V AC/DC
CURRENT: 36A MAX.
TEMPERATURE: -20°C TO +80°C.
- MAXIMUM WIRE SIZES:
CONDUCTOR: $\varnothing 2.3$ (.090) (12AWG)
STRIP LENGTH: 6.4 (.25)

PART NUMBER
CT2213-#

COLOR: 0 - BLACK
2 - RED
4 - YELLOW
5 - GREEN
6 - BLUE
9 - WHITE

REVISIONS			
REV.	DESCRIPTIONS	DATE	APPROVED
-	CLASS A RELEASED	7/11/99	
A	UPDATED TO METRIC FORMAT	3/9/19	



METRIC

UNLESS OTHERWISE SPECIFIED
DIMENSIONS ARE IN MILLIMETERS
TOLERANCES ARE:
DECIMALS ANGLE
.X ± 0.8 ± 2°
.XX ± 0.25
DO NOT SCALE DRAWING

CONTRACT NO.

Cal Test Electronics

22820 Savi Ranch Parkway
Yorba Linda, CA 92887-4610

APPROVALS	DATE
DRAWN WDH	7/11/99
CHECKED	
ENGR.	
DESIGN ACTIVITY	

TITLE			
DIY 4 mm JACK, SOLDER			
SIZE A	CAGE CODE 43F45	DWG. NO. P221300	REV. A
SCALE 1:1	SHEET 1 OF 1		

THIRD ANGLE PROJECTION

