



# SK102C THRU SK1010C

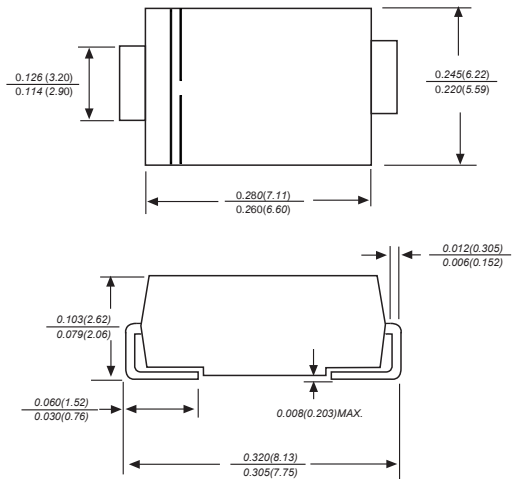
Reverse Voltage - 20 to 100 Volts Forward Current - 10.0 Ampere

## SURFACE MOUNT SCHOTTKY BARRIER RECTIFIER

### Features

- ◆ The plastic package carries Underwriters Laboratory Flammability Classification 94V-0
- ◆ For surface mounted applications
- ◆ Metal silicon junction, majority carrier conduction
- ◆ Low power loss, high efficiency
- ◆ Built-in strain relief, ideal for automated placement
- ◆ High forward surge current capability
- ◆ High temperature soldering guaranteed:  
250 °C/10 seconds at terminals

DO-214AB/SMC **RoHS COMPLIANT**



Dimensions in inches and (millimeters)

### Mechanical Data

Case: JEDEC DO-214AB/SMC molded plastic body  
 Terminals: Solderable per MIL-STD-750, Method 2026  
 Polarity: Color band denotes cathode end Mounting  
 Position: Any  
 Weight: 0.007 ounce, 0.25 grams

### Maximum Ratings And Electrical Characteristics

Ratings at 25 °C ambient temperature unless otherwise specified.

Single phase half-wave 60Hz, resistive or inductive load, for capacitive load current derate by 20%.

Parameter	SYMBOLS	SK102C	SK103C	SK1035C	SK104C	SK1045C	SK106C	SK108C	SK1010C	UNITS
		MDD SK102C	MDD SK103C	MDD SK1035C	MDD SK104C	MDD SK1045C	MDD SK106C	MDD SK108C	MDD SK1010C	
Maximum repetitive peak reverse voltage	$V_{RRM}$	20	30	35	40	45	60	80	100	V
Maximum RMS voltage	$V_{RMS}$	14	21	24.5	28	31.5	42	56	70	V
Maximum DC blocking voltage	$V_{DC}$	20	30	35	40	45	60	80	100	V
Maximum average forward rectified current at TL (see fig.1)	$I_{(AV)}$	10.0								A
Peak forward surge current 8.3ms single half sine-wave superimposed on rated load (JEDEC Method)	$I_{FSM}$	250								A
Maximum instantaneous forward voltage at 10.0A	$V_F$	0.65						0.85		V
Maximum DC reverse current $T_A=25^{\circ}C$ at rated DC blocking voltage $T_A=125^{\circ}C$	$I_R$	1.0								mA
		20								
Typical junction capacitance (NOTE 1)	$C_J$	500								pF
Typical thermal resistance (NOTE 2)	$R_{\theta JA}$	18.0								$^{\circ}C/W$
Operating junction temperature range	$T_J$	-50 to +150								$^{\circ}C$
Storage temperature range	$T_{STG}$	-50 to +150								$^{\circ}C$

**Note:** 1. Measured at 1MHz and applied reverse voltage of 4.0V D.C.  
 2. P.C.B. mounted with 0.2x0.2" (5.0x5.0mm) copper pad areas

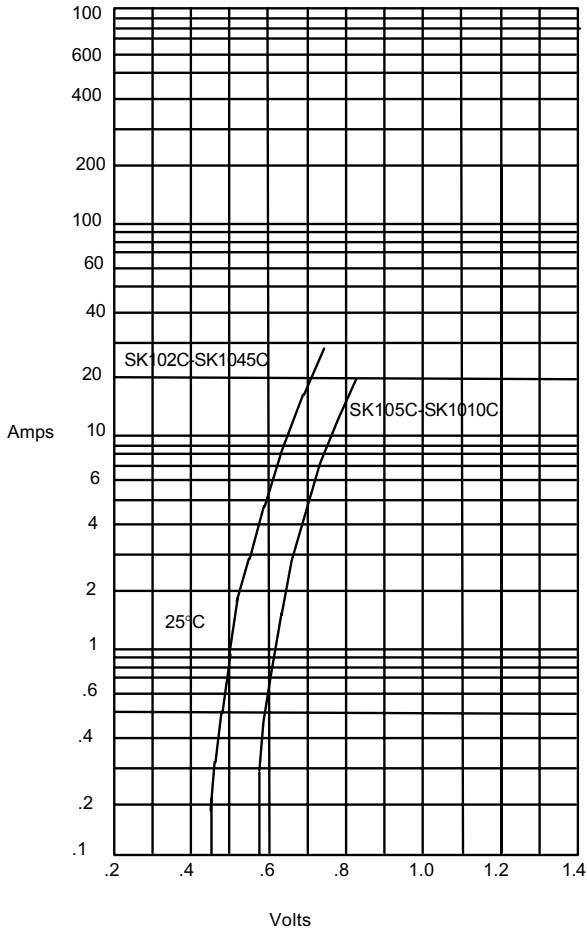


# SK102C THRU SK1010C

Reverse Voltage - 20 to 100 Volts Forward Current - 10.0 Ampere

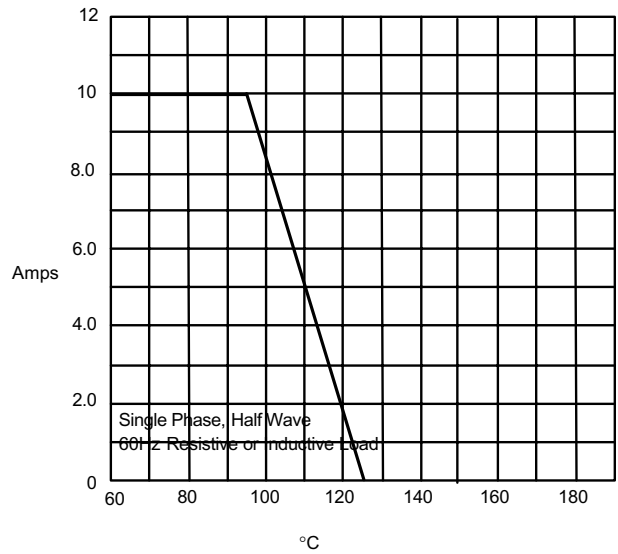
## Typical Characteristics

Figure 1  
Typical Forward Characteristics



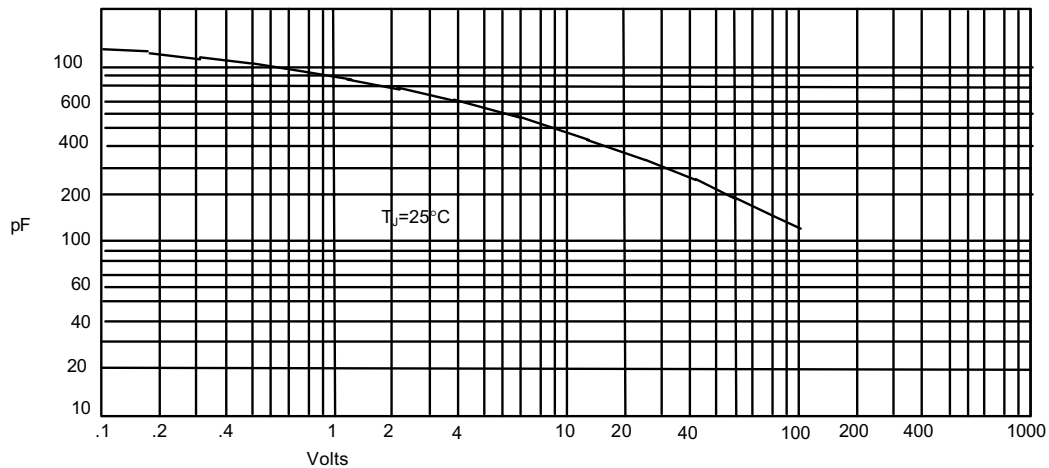
Instantaneous Forward Current - Amperes versus  
Instantaneous Forward Voltage - Volts

Figure 2  
Forward Derating Curve



Average Forward Rectified Current - Amperes versus  
Lead Temperature - C

Figure 3  
Junction Capacitance



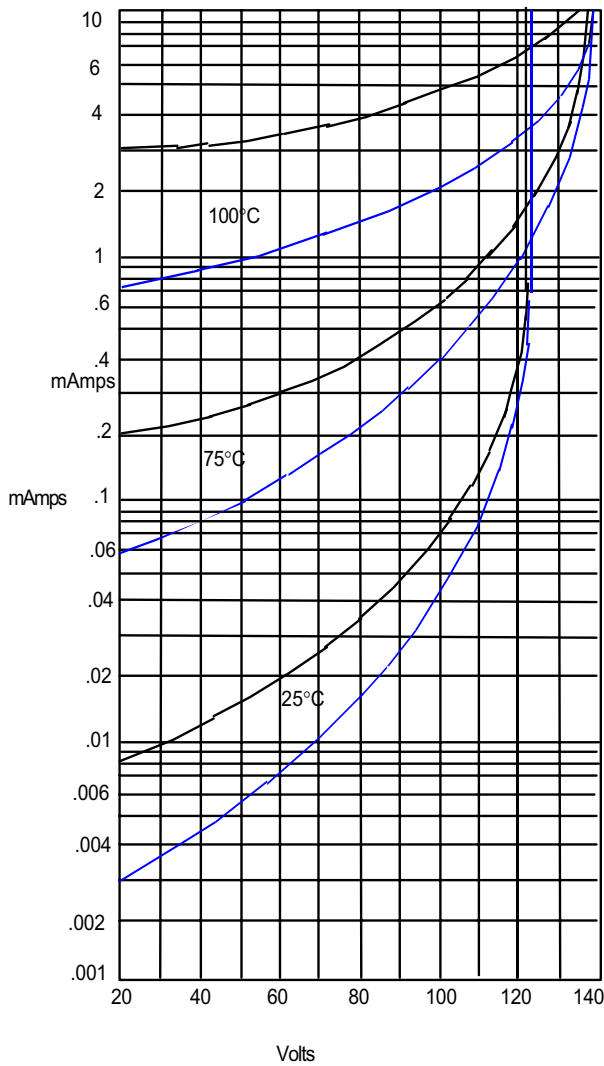
Junction Capacitance - pF versus

The curve above is for reference only.



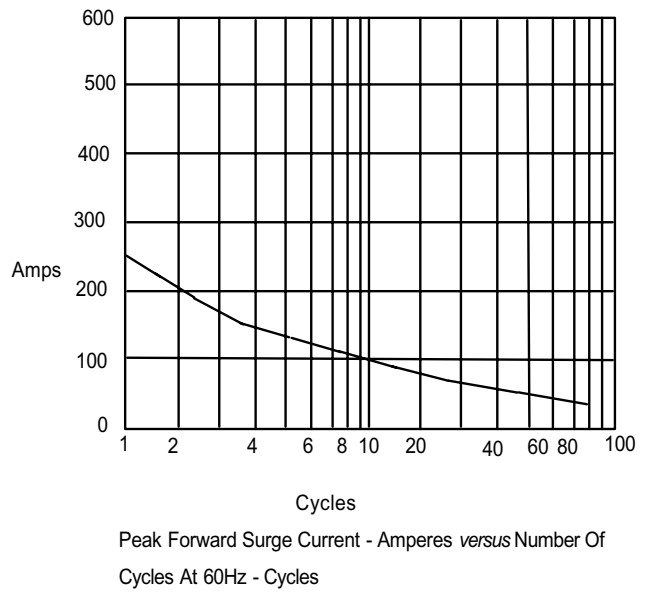
## Typical Characteristics

Figure 4  
Typical Reverse Characteristics



Instantaneous Reverse Leakage Current - MicroAmperes versus  
Percent Of Rated Peak Reverse Voltage - Volts

Figure 5  
Peak Forward Surge Current



Peak Forward Surge Current - Amperes versus Number Of  
Cycles At 60Hz - Cycles

SK102C-SK1045C ———  
SK105C-SK1010C ———

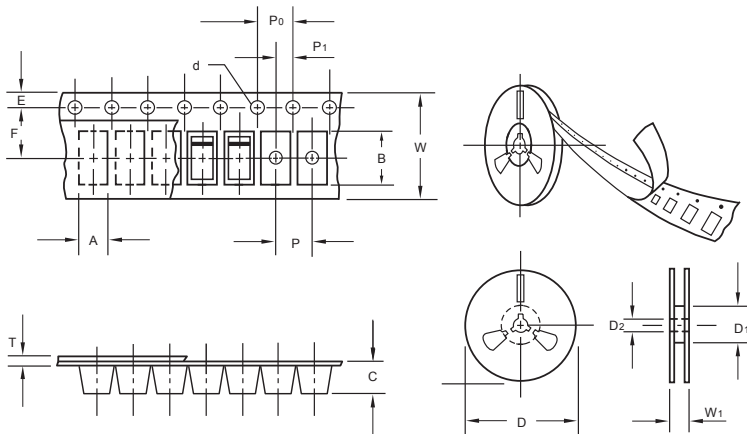
The curve above is for reference only.



# SK102C THRU SK1010C

Reverse Voltage - 20 to 100 Volts Forward Current - 10.0 Ampere

## Packing information



unit:mm

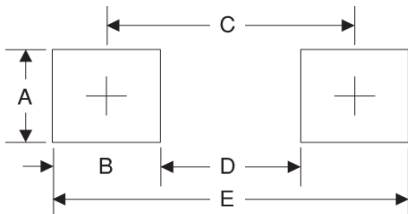
Item	Symbol	Tolerance	SMC
Carrier width	A	0.1	6.15
Carrier length	B	0.1	8.41
Carrier depth	C	0.1	2.42
Sprocket hole	d	0.05	1.50
13" Reel outside diameter	D	2.0	330.00
13" Reel inner diameter	D <sub>1</sub>	min	50.00
Feed hole diameter	D <sub>2</sub>	0.5	13.00
Sprocket hole position	E	0.1	1.75
Punch hole position	F	0.1	7.50
Punch hole pitch	P	0.1	8.00
Sprocket hole pitch	P <sub>0</sub>	0.1	4.00
Embossment center	P <sub>1</sub>	0.1	2.00
Overall tape thickness	T	0.1	0.25
Tape width	W	0.3	16.00
Reel width	W <sub>1</sub>	1.0	16.50

Note: Devices are packed in accordance with EIA standard RS-481-A and specifications listed above.

## Reel packing

PACKAGE	REEL SIZE	REEL (pcs)	COMPONENT SPACING (mm)	BOX (pcs)	INNER BOX (mm)	REEL DIA. (mm)	CARTON SIZE (mm)	CARTON (pcs)	APPROX. GROSS WEIGHT (kg)
SMC	13"	3,000	4.0	6000	190*190*41	330	365*365*340	42000	14.0

## Suggested Pad Layout



Symbol	Unit (mm)	Unit (inch)
A	4.3	0.170
B	4.1	0.160
C	7.9	0.311
D	3.8	0.150
E	12	0.472

## Important Notice and Disclaimer

Microdiode Electronics (Jiangsu) reserves the right to make changes to this document and its products and specifications at any time without notice. Customers should obtain and confirm the latest product information and specifications before final design, purchase or use.

Microdiode Electronics (Jiangsu) makes no warranty, representation or guarantee regarding the suitability of its products for any particular purpose, nor does Microdiode Electronics (Jiangsu) assume any liability for application assistance or customer product design. Microdiode Electronics (Jiangsu) does not warrant or accept any liability with products which are purchased or used for any unintended or unauthorized application.

No license is granted by implication or otherwise under any intellectual property rights of Microdiode Electronics (Jiangsu).

Microdiode Electronics (Jiangsu) products are not authorized for use as critical components in life support devices or systems without express written approval of Microdiode Electronics (Jiangsu).