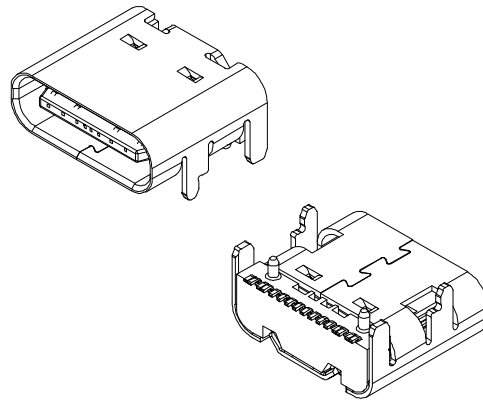
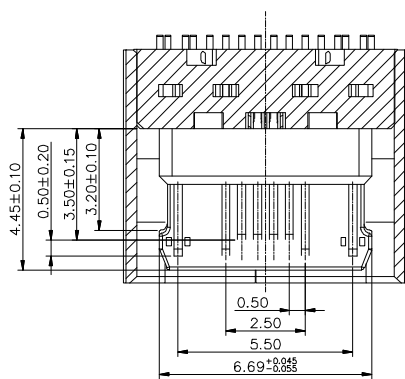
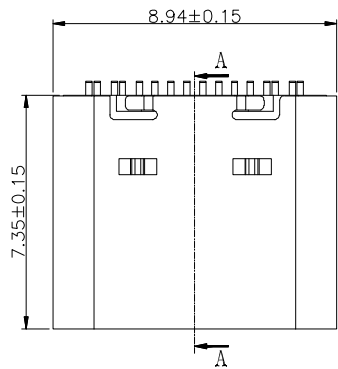


版本	发行说明	签名	日期
A	新发行	yusheng	2019.05.08



NOTES:

1.MATERIAL:

MOLDING: LCP UL94 V-0  
 CONTACT: COPPER ALLOY.  
 NICKEL PLATING ALL OVER  
 GOLD PLATED ON THE FUNCTIONAL AREA OF CONTACT.  
 GOLD PLATED ON SOLDER AREA  
 SHELL: SUS304-H,T=0.30±0.03mm  
 NICKEL PLATING OVER ALL.

2.MECHANICAL:

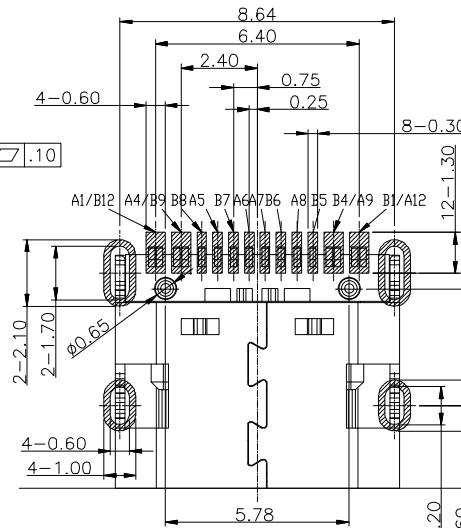
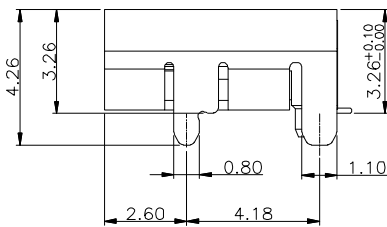
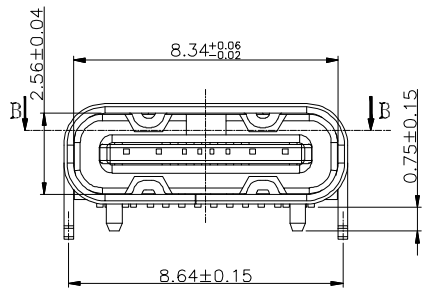
INSERTION: 5~20N.  
 EXTRACTION: 8~20N AFTER TEST .

3.ELECTRICAL:

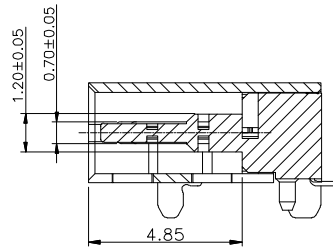
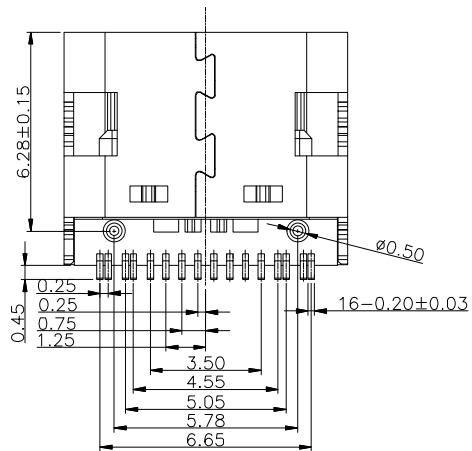
CURRENT: 5A FOR VBUS;  
 1.25A FOR GND PIN.  
 0.25A FOR OTHER.  
 VOLTAGE: 20 V MAX  
 WITHSTANDING VOLTAGE: 100V AC R.M.S  
 CONTACT RESISTANCE: 40mΩ MAX.  
 INSULATION RESISTANCE: 100MΩ MIN.

4.ENVIRONMENTAL

TEMPERATURE RANGE -55°C ~ +85°C



RECOMMENDED P.C.B. LAYOUT  
 TOLERANCE UNSPECIFIED ±0.05mm



USB TYPE-C FULL-FEATURED RECEPTACLE INTERFACE PIN ASSIGNMENTS					
PIN	Signal Name	Description	PIN	Signal Name	Description
A1	GND	Ground return	B12	GND	Ground return
A4	Vbus	Bus Power	B9	Vbus	Bus Power
A5	CC1	Configuration Channel	B8	SBU2	Sideband Use (SBU)
A6	Dp1	Positive half of the USB 2.0 differential pair-Position 1	B7	Dn2	Negative half of the USB 2.0 differential pair-Position 2
A7	Dn1	Negative half of the USB 2.0 differential pair-Position 1	B6	Dp2	Positive half of the USB 2.0 differential pair-Position 2
A8	SBU1	Sideband Use(SBU)	B5	CC2	Configuration Channel
A9	Vbus	Bus Power	B4	Vbus	Bus Power
A12	GND	Ground return	B1	GND	Ground return

尺寸	允许公差
X.	±0.50
.X	±0.20
.XX	±0.15
.XXX	±0.10
角度	±1.00°

深圳市华灿天禄电子有限公司

图纸类型		图纸名称:	
产品工程图		16Pin-TYPE C板上_L7.35	
设计	yusheng	2019.05.08	产品料号
审核	余廷庆	2019.05.08	HC-TYPE-C-16P-01A
视图			版号: A