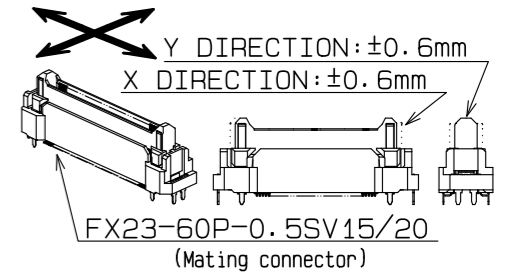
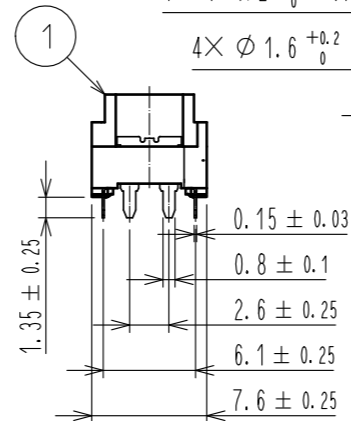
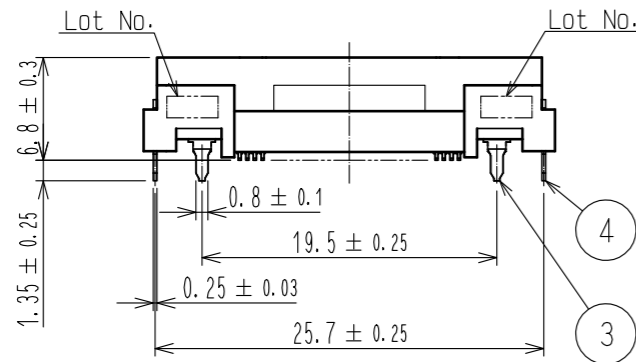
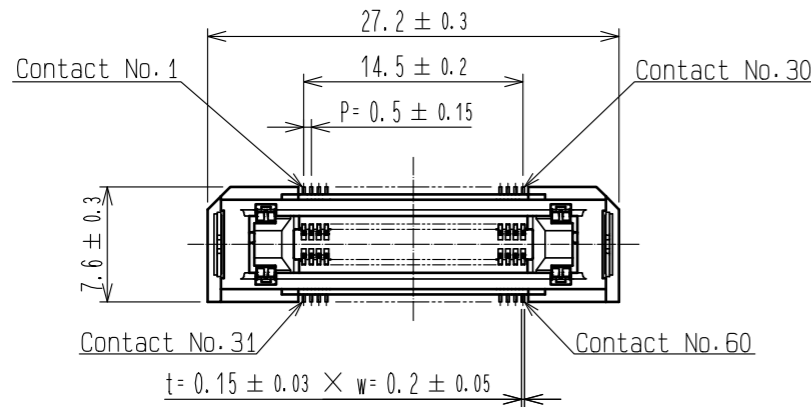
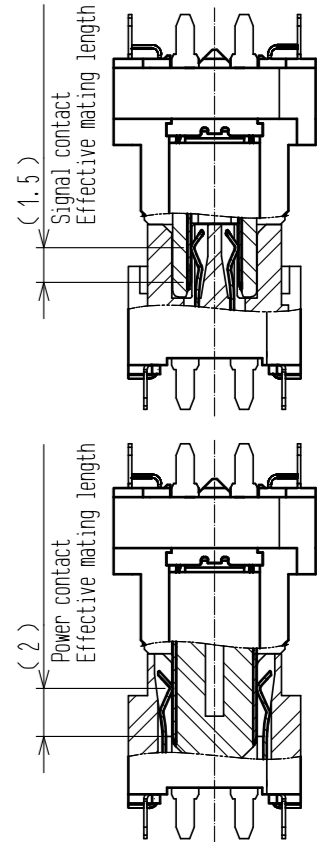


RECOMMENDED LAND PATTERN DIMENSION OF PCB  
(PCB THICKNESS: t=1.6mm)

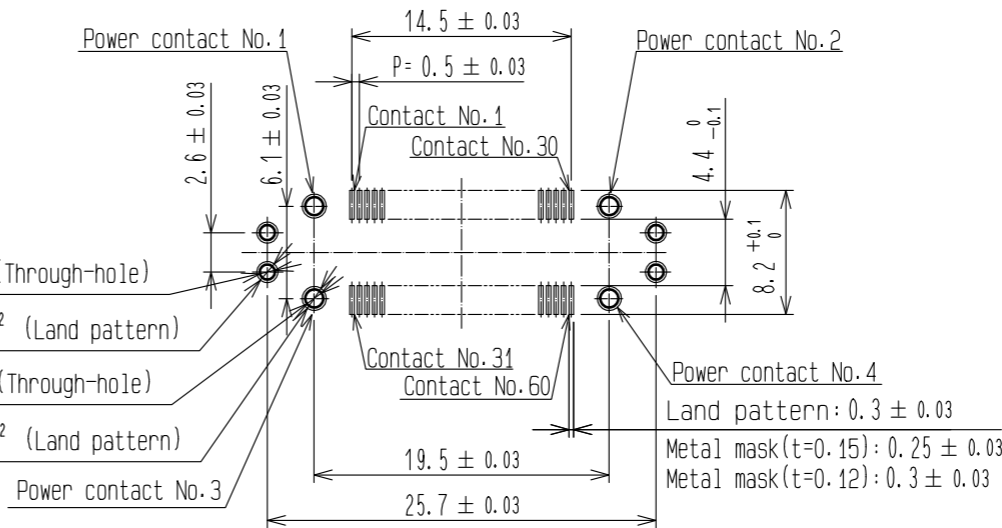
FLOATING RANGE



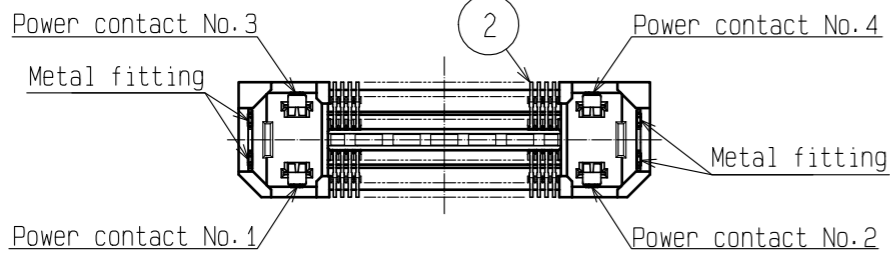
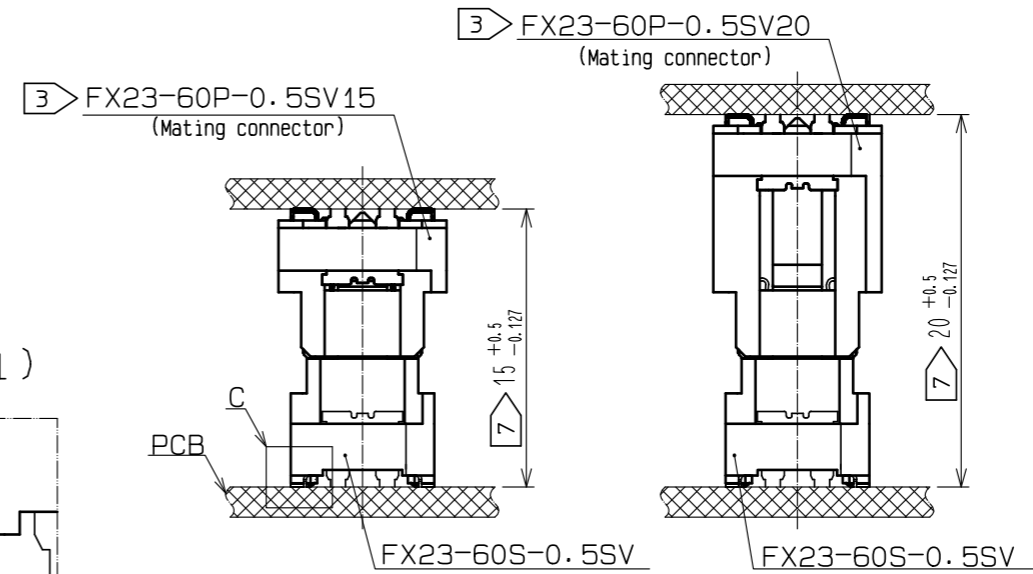
CROSS SECTION OF MATING  
(No scale)



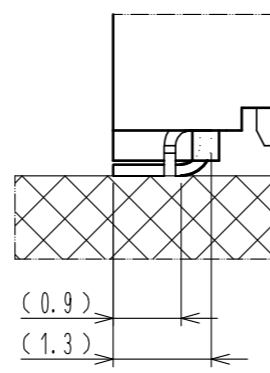
- 4 ×  $\phi 1^{+0.1}_0$  (Through-hole)
- 4 ×  $\phi 1.4^{+0.2}_0$  (Land pattern)
- 4 ×  $\phi 1.2^{+0.1}_0$  (Through-hole)
- 4 ×  $\phi 1.6^{+0.2}_0$  (Land pattern)



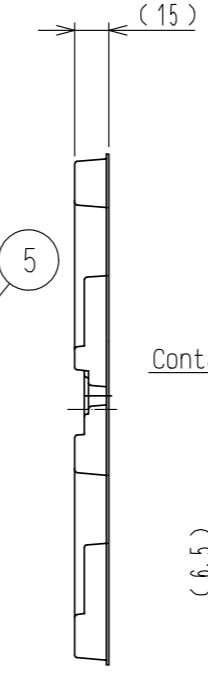
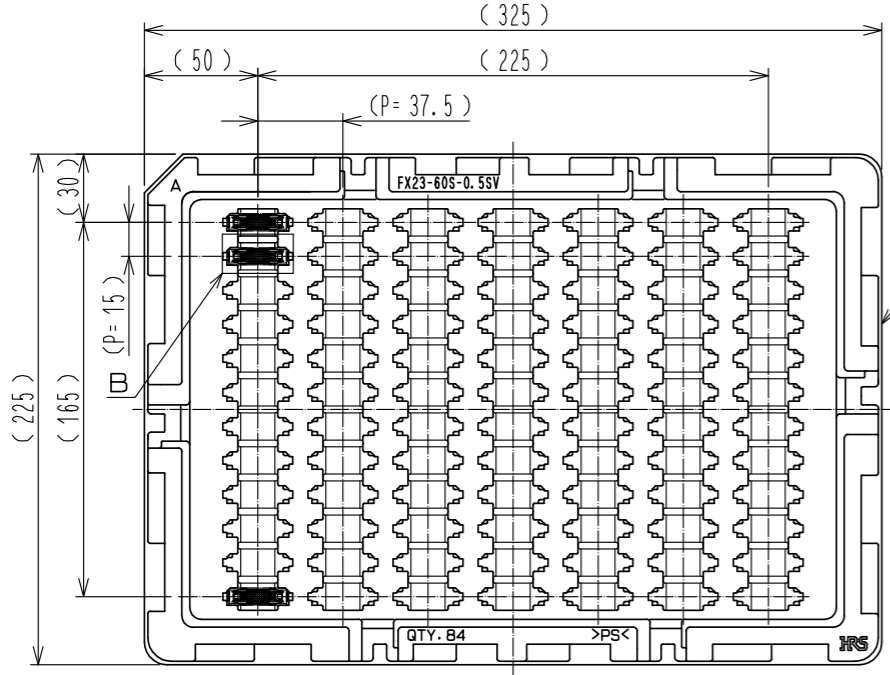
PCB DISTANCE (No scale)



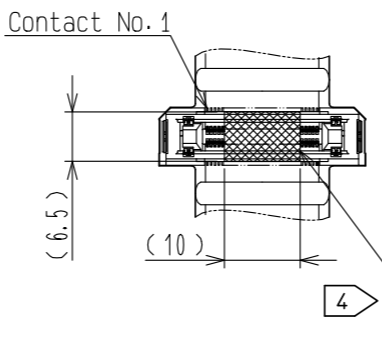
C (10:1)



DRAWING FOR PACKING (No scale)



B (1:1)



- Lead CO-Planarity is 0.1mm MAX.
- This is packaged in tray. (84pcs/tray)
- Floating range of this connector is ±0.6mm MAX.
- It shows the vacuum pickup area. Remove the mylar tape before mating connectors.
- Blemish and hit mark can be occurred through out the manufacturing process which doesn't affect quality level.
- The dimensions in parentheses are for references.
- Please use the connectors within the specified PCB distance.

2	COPPER ALLOY	CONTACT AREA: GOLD 0.1 μm	6	POLYIMIDE	(TAPE FOR VACUUM PICKUP)			
		LEAD AREA: GOLD 0.03 μm	5	POLYSTYRENE	(TRAY)			
		UNDER PLATING: NICKEL 1.3 μm	4	BRASS	LEAD AREA: TIN-PLATING 3 μm			
1	LCP	BLACK UL94V-0	3	COPPER ALLOY	CONTACT AREA: GOLD 0.1 μm			
					LEAD AREA: TIN-PLATING 1 μm			
					UNDER PLATING: NICKEL 1.3 μm			
NO.	MATERIAL	FINISH . REMARKS	NO.	MATERIAL	FINISH . REMARKS			
UNITS	mm	SCALE	2 : 1	COUNT	DESCRIPTION OF REVISIONS	DESIGNED	CHECKED	DATE
HRS		HIROSE ELECTRIC CO., LTD.	APPROVED	HS. OKAWA	15.02.10	DRAWING NO. EDC-353553-00-00		
			CHECKED	KN. SHIBUYA	15.02.10	PART NO. FX23-60S-0.5SV		
			DESIGNED	TS. OONO	15.02.10	CODE NO. CL573-3203-5-00		
			DRAWN	TS. OONO	15.02.10	1/1		