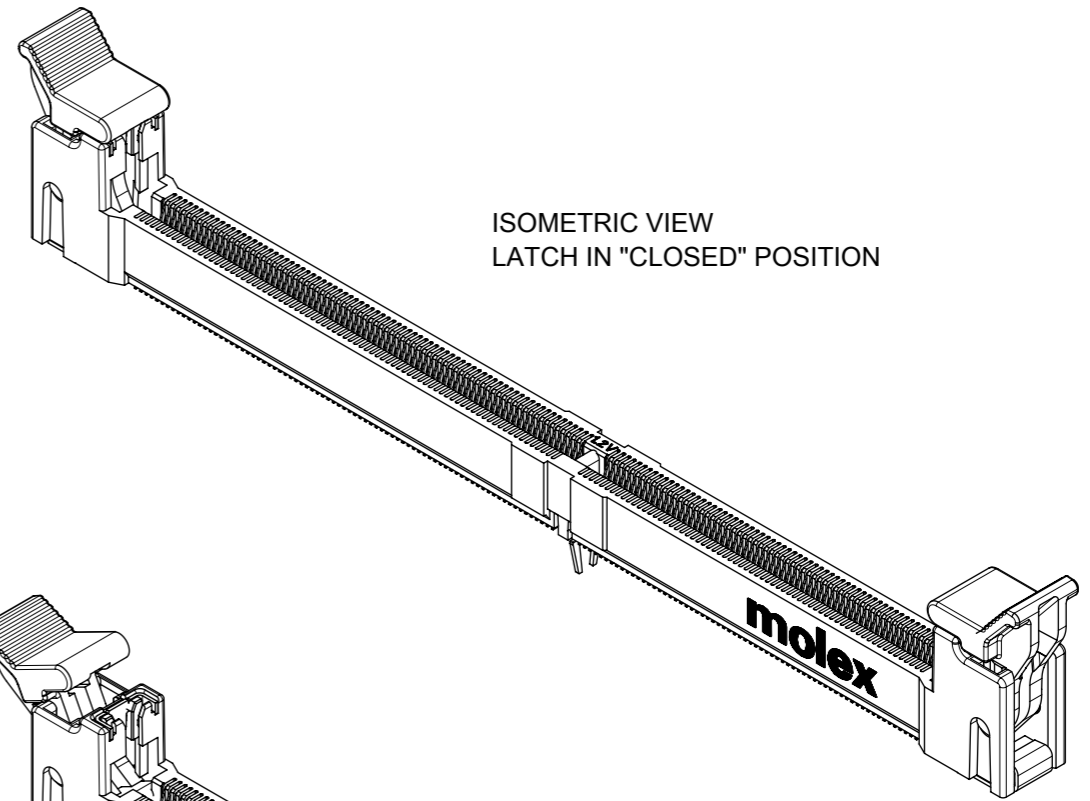
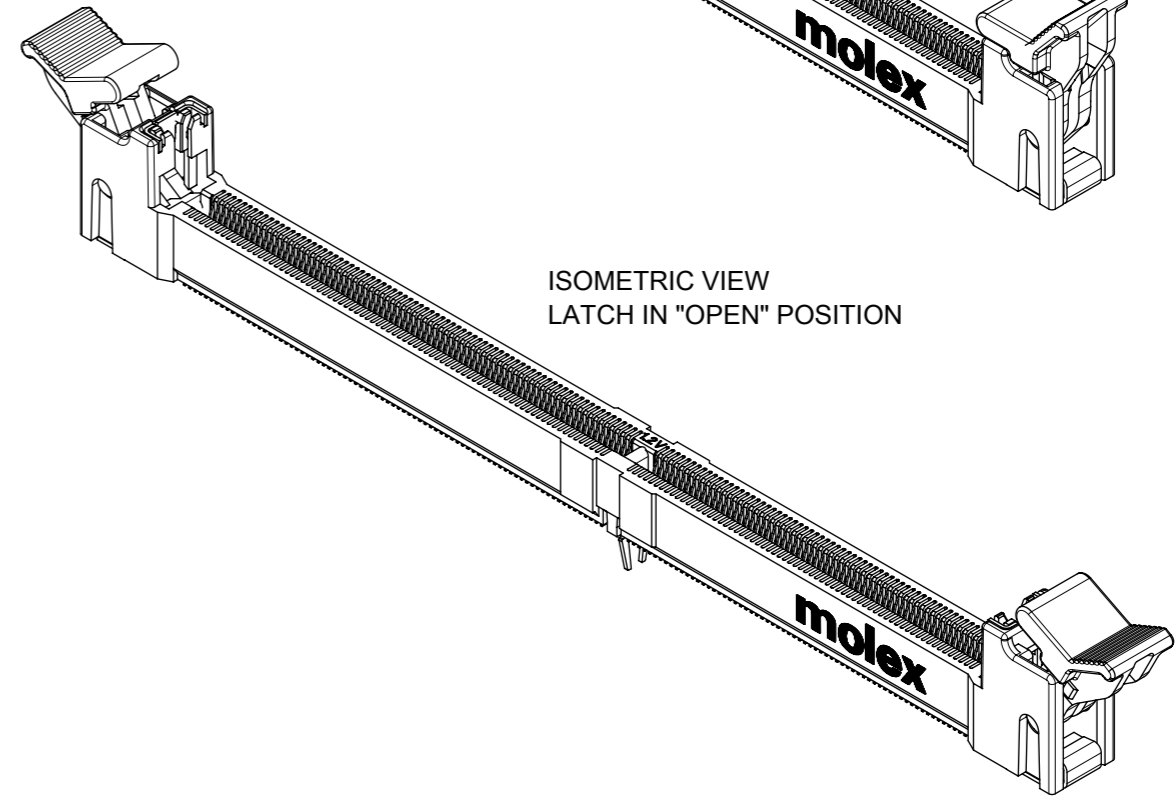


NOTES:

1. MATERIALS  
 HOUSING - LIQUID CRYSTAL POLYMER (LCP), GLASS FILLED, UL94 V-0;  
 COLOR: BLACK  
 LATCH - POLYAMIDE (PA), GLASS FILLED, UL94 V-0;  
 COLOR: NATURAL (OFF-WHITE)  
 TERMINAL - COPPER ALLOY  
 PCB HOLD-DOWN FEATURES - COPPER ALLOY
2. FINISHES  
 CONTACT AREA - 0.76 MICROMETER (30 MICROINCH) MINIMUM GOLD OVER  
 1.25 MICROMETER (50 MICROINCH) MINIMUM NICKEL  
 SMT TAIL - 2.54 MICROMETER (100 MICROINCH) MINIMUM TIN OVER  
 1.25 MICROMETER (50 MICROINCH) MINIMUM NICKEL  
 PCB HOLD-DOWN FEATURES - 2.54 MICROMETER (100 MICROINCH) MINIMUM TIN OVER  
 1.25 MICROMETER (50 MICROINCH) MINIMUM NICKEL
3. PRODUCT SPECIFICATION: SEE TABLE
4. PACKAGING SPECIFICATION: SEE TABLE
5. CARD SLOT ACCEPTS 1.40±0.10mm MODULE THICKNESS  
 (MEASURED OVER P.C. PADS).
6. MOLEX LOGO, DATE & PART NO. INDICATED ON SIDE OF HOUSING
7. MODULE SEATING PLANE FROM TOP OF PCB.
8. KEEP-OUT ZONE FOR LATCH
9. KEEP-OUT AREA IS THE AREA WHERE THE CONNECTOR IS MOUNTED  
 ONTO THE PCB (INCLUDING LATCH IN THE OPEN POSITION).
10. CONNECTOR APPLICATION GUIDELINE: AS-151105-0002.
11. PCB ROUTING RECOMMENDATION: AS-151105-0001.



ISOMETRIC VIEW  
LATCH IN "CLOSED" POSITION

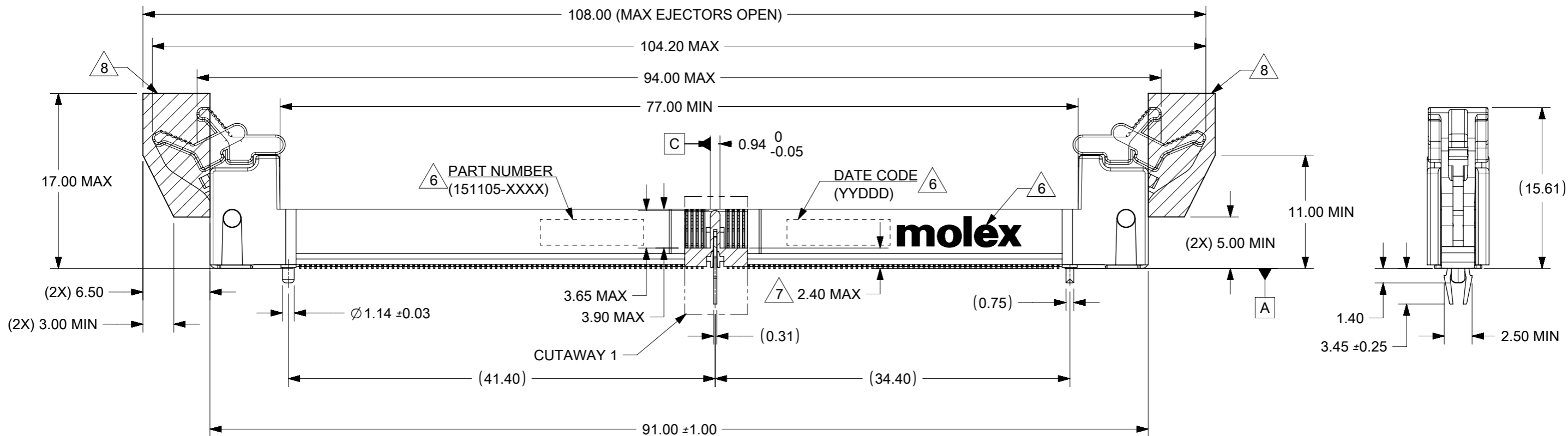
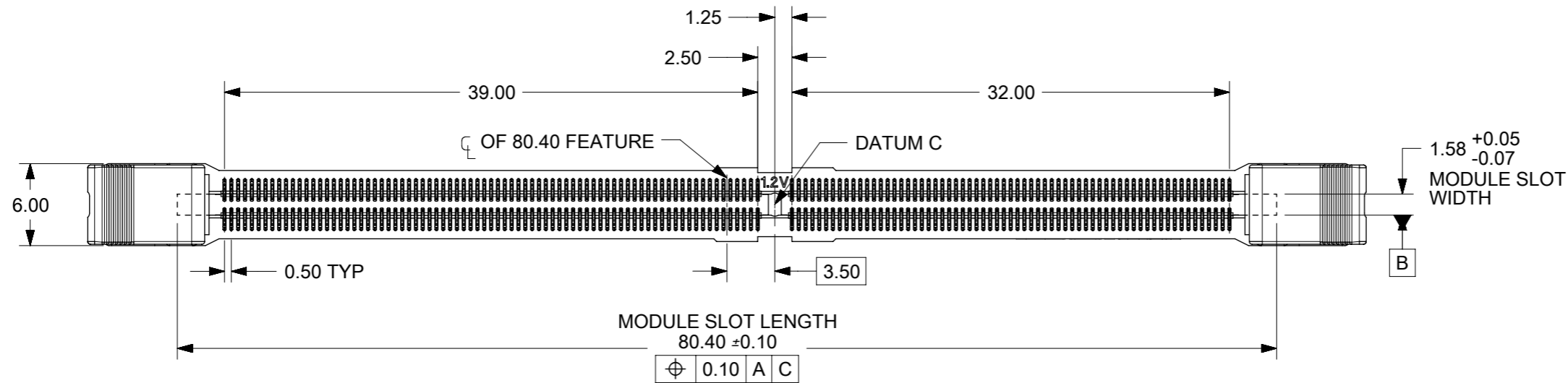


ISOMETRIC VIEW  
LATCH IN "OPEN" POSITION

THIS DRAWING CONTAINS INFORMATION THAT IS PROPRIETARY TO MOLEX ELECTRONIC TECHNOLOGIES, LLC AND SHOULD NOT BE USED WITHOUT WRITTEN PERMISSION

HOUSING MODIFIED	2017/11/01	EC NO: 167494 DRWN: JAKEEMEW CHK'D: CCTEH APPR: SHLENI	GENERAL TOLERANCES (UNLESS SPECIFIED)		DIMENSION UNITS	SCALE	<b>molex®</b>		
	2018/01/25				mm	NTS			
	2018/02/09		ANGULAR TOL ± 3.0 °		DRWN BY	DATE	DDR4 MINI DIMM, 0.50MM VERTICAL SMT 288CKTS		
	4 PLACES ±		JAKEEMEW	2014/12/16					
	3 PLACES ±		CHK'D BY	DATE	PRODUCT CUSTOMER DRAWING				
	2 PLACES ± 0.2		CCTEH	2015/05/29					
1 PLACE ±		APPR BY	DATE	SERIES: 151105    MATERIAL NUMBER: SEE TABLE    CUSTOMER: GENERAL MARKET					
0 PLACES ±		SHLENI	2015/06/08						
DRAFT WHERE APPLICABLE MUST REMAIN WITHIN DIMENSIONS		DRAWING SIZE	THIRD ANGLE PROJECTION	DOCUMENT NUMBER: SD-151105-0001    DOC TYPE: PSD    DOC PART: 000    SHEET NUMBER: 1 OF 7					
		A3							

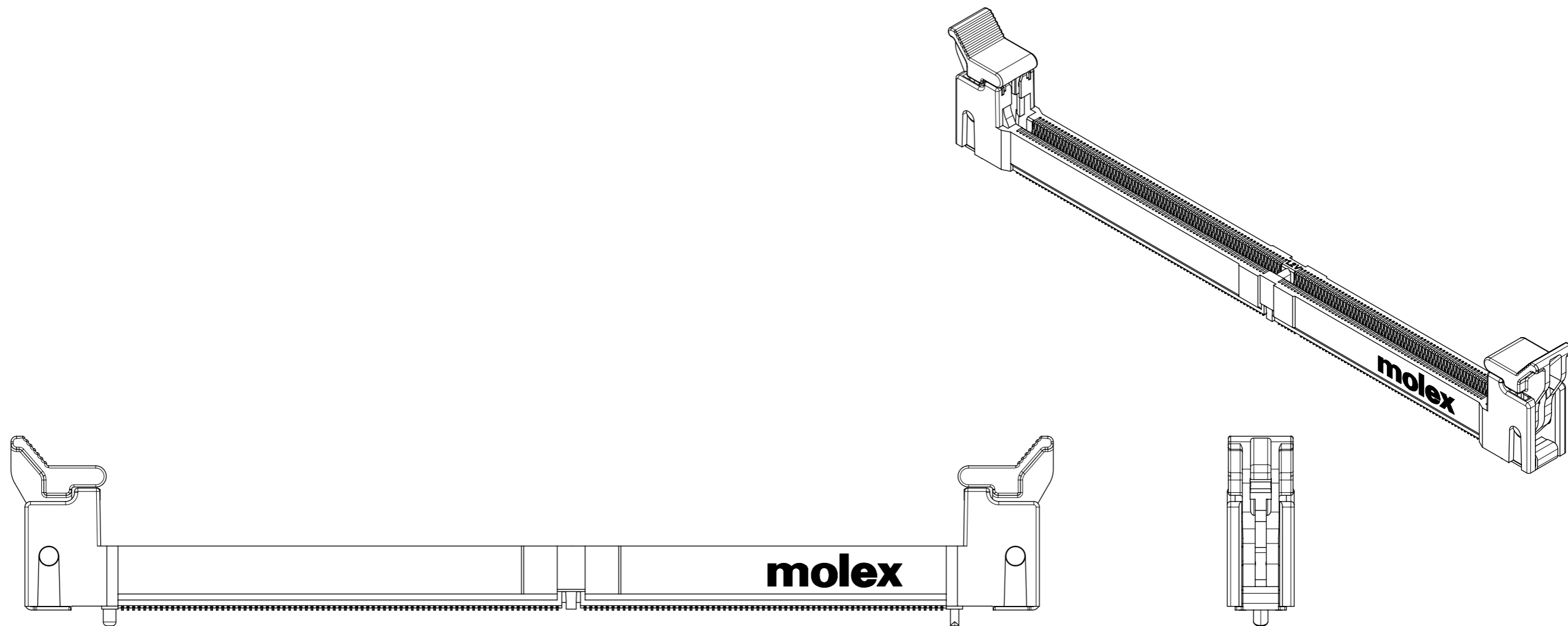
RELEASE STATUS	RELEASE DATE
----------------	--------------



THIS DRAWING CONTAINS INFORMATION THAT IS PROPRIETARY TO MOLEX ELECTRONIC TECHNOLOGIES, LLC AND SHOULD NOT BE USED WITHOUT WRITTEN PERMISSION

HOUSING MODIFIED EC NO: 167494 DRWN: JAKEEMEW CHK'D: CCTEH APPR: SHLENI	2017/11/01	GENERAL TOLERANCES (UNLESS SPECIFIED)		DIMENSION UNITS	SCALE				
	2018/01/25	ANGULAR TOL ± 3.0 °		mm	NTS				
	2018/02/09	4 PLACES	±	DRWN BY	DATE	DDR4 MINI DIMM, 0.50MM VERTICAL SMT 288CKTS			
		3 PLACES	±	JAKEEMEW	2014/12/16				
		2 PLACES	± 0.2	CHK'D BY	DATE				
	1 PLACE	±	CCTEH	2015/05/29	PRODUCT CUSTOMER DRAWING				
	0 PLACES	±	SHLENI	2015/06/08					
	DRAFT WHERE APPLICABLE MUST REMAIN WITHIN DIMENSIONS		DRAWING SIZE	THIRD ANGLE PROJECTION		SERIES	MATERIAL NUMBER	CUSTOMER	
B1	REV		A3			151105	SEE TABLE	GENERAL MARKET	
						DOCUMENT NUMBER	DOC TYPE	DOC PART	SHEET NUMBER
						SD-151105-0001	PSD	000	2 OF 7

CONNECTOR WITHOUT CENTER PCB HOLD-DOWN FEATURE

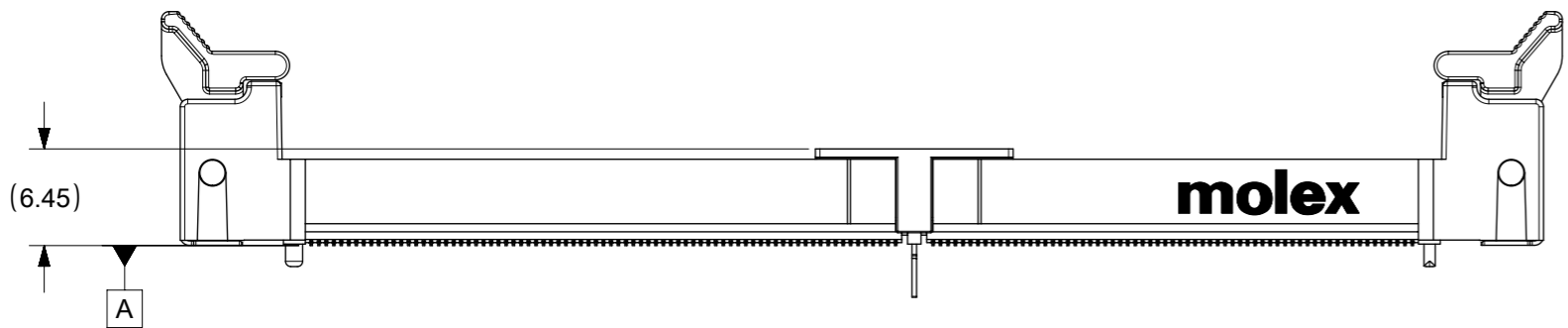
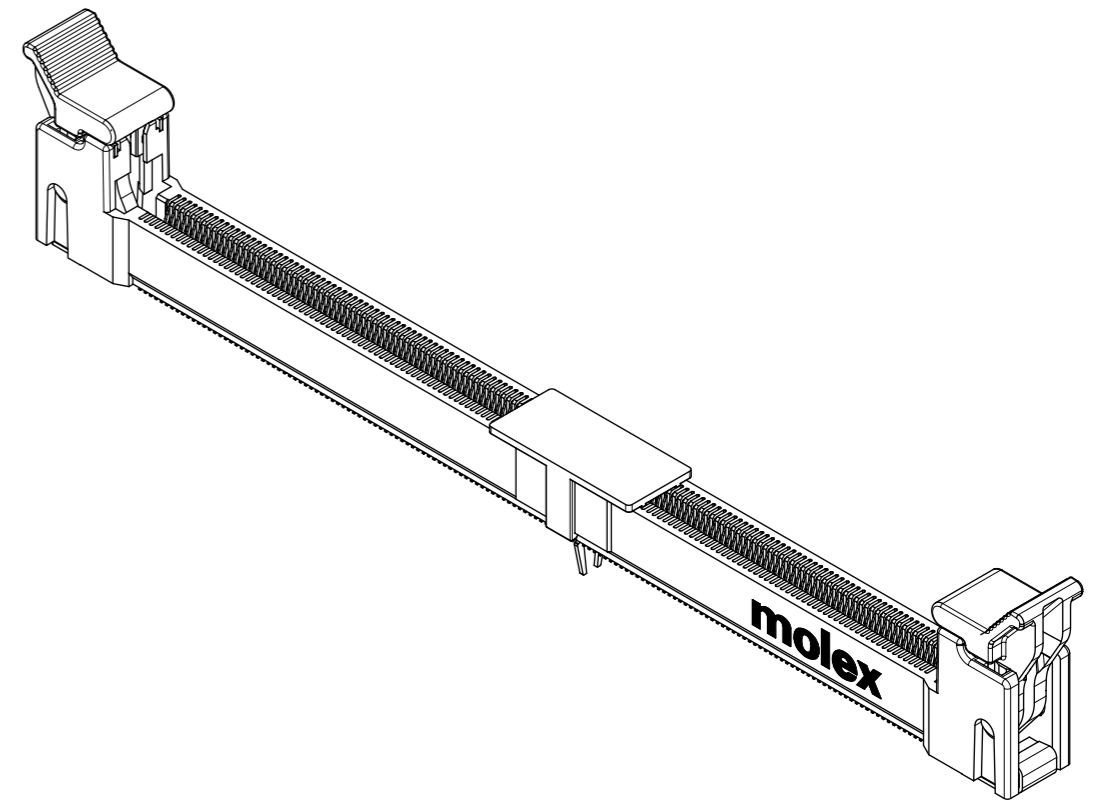
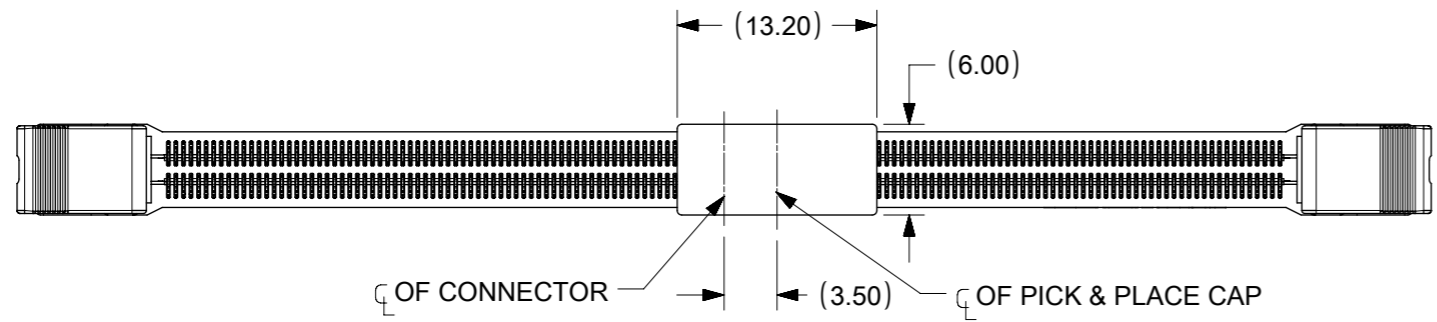


THIS DRAWING CONTAINS INFORMATION THAT IS PROPRIETARY TO MOLEX ELECTRONIC TECHNOLOGIES, LLC AND SHOULD NOT BE USED WITHOUT WRITTEN PERMISSION

HOUSING MODIFIED EC NO: 167494 DRWN: JAKEEMEW CHK'D: CCTEH REV APPR: SHLENI	2017/11/01	GENERAL TOLERANCES (UNLESS SPECIFIED)		DIMENSION UNITS	SCALE	<b>molex®</b>  DDR4 MINI DIMM, 0.50MM VERTICAL SMT 288CKTS			
	2018/01/25	ANGULAR TOL ± 3.0 °		mm	NTS				
	2018/02/09	4 PLACES	±	DRWN BY	DATE	PRODUCT CUSTOMER DRAWING SERIES: 151105    MATERIAL NUMBER: SEE TABLE    CUSTOMER: GENERAL MARKET			
		3 PLACES	±	JAKEEMEW	2014/12/16				
		2 PLACES	± 0.2	CHK'D BY	DATE				
		1 PLACE	±	CCTEH	2015/05/29	DOCUMENT NUMBER: SD-151105-0001    DOC TYPE: PSD    DOC PART: 000    SHEET NUMBER: 3 OF 7			
	0 PLACES	±	APPR BY	DATE					
	DRAFT WHERE APPLICABLE MUST REMAIN WITHIN DIMENSIONS		SHLENI	2015/06/08	DRAWING SIZE	THIRD ANGLE PROJECTION			
B1	REV			A3					

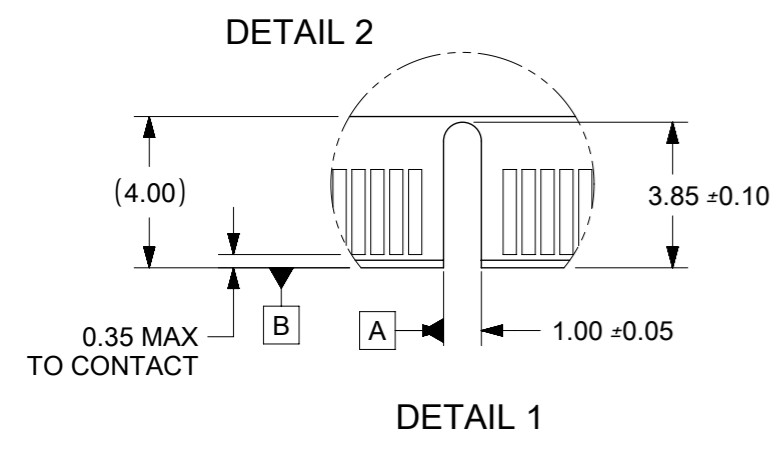
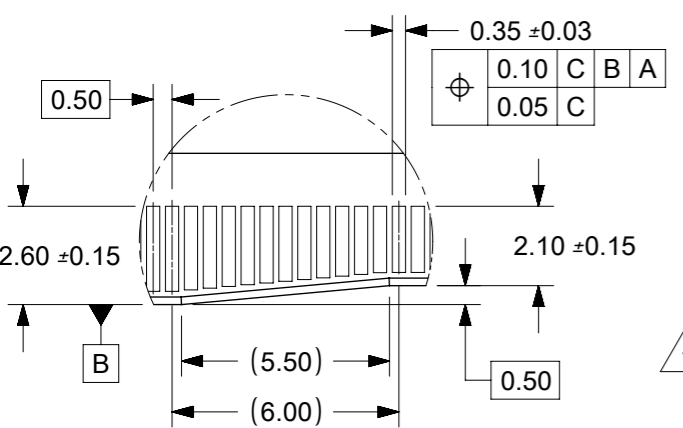
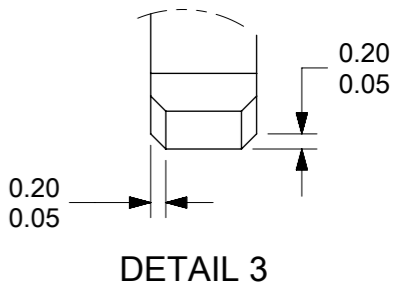
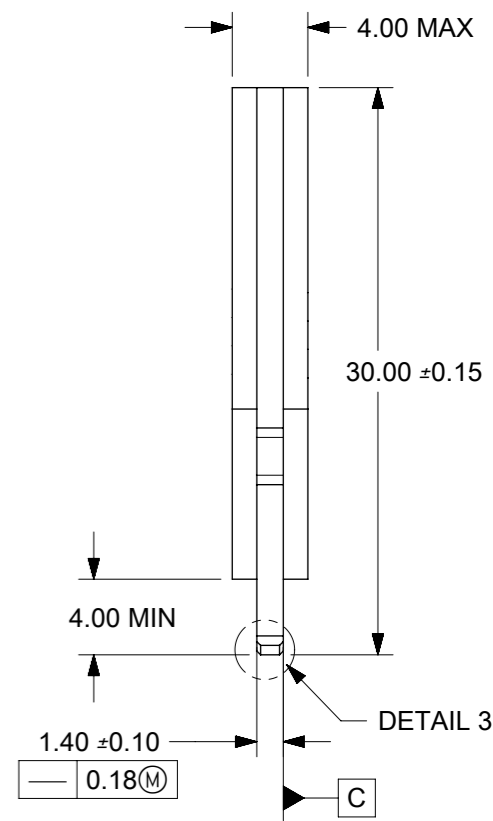
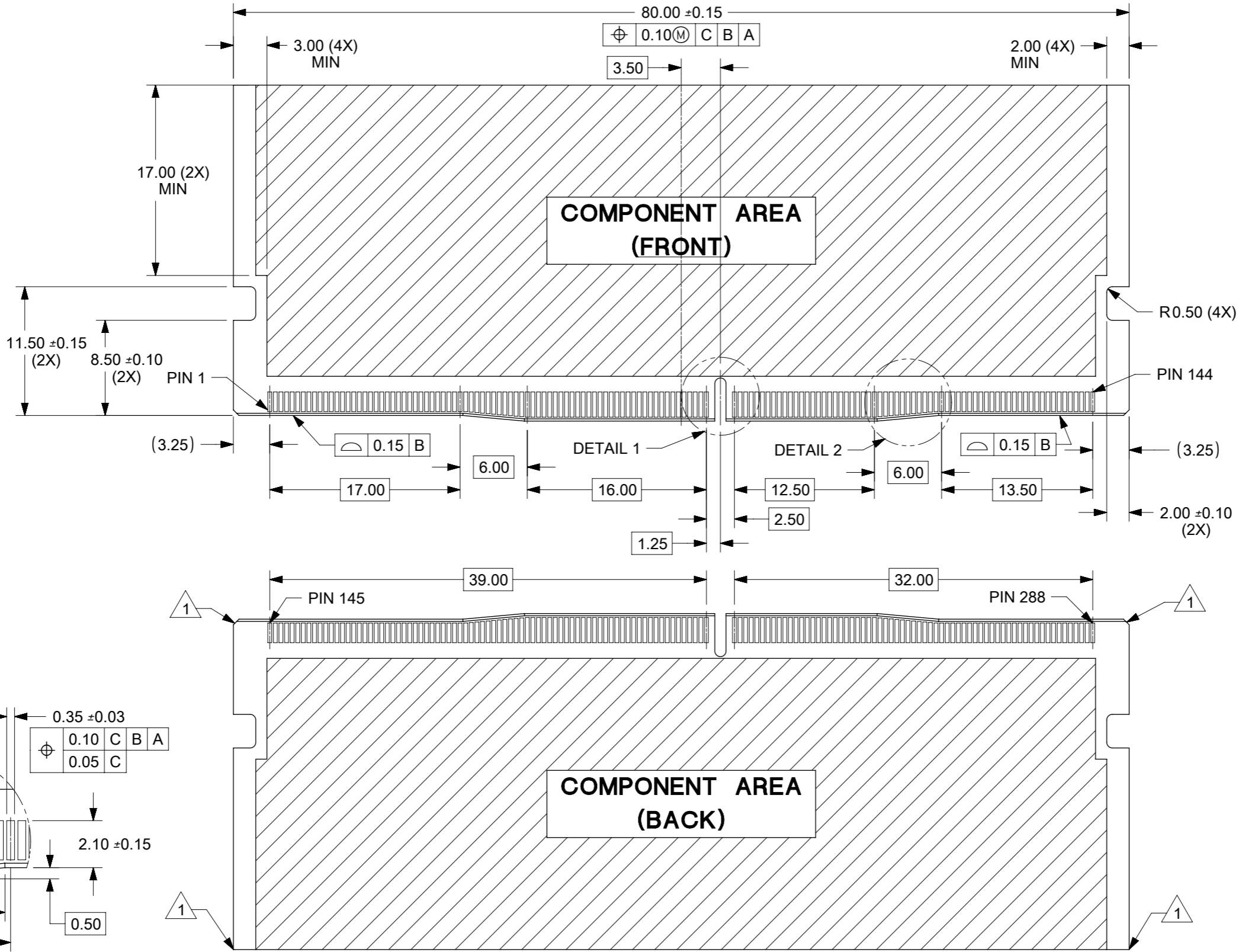
RELEASE STATUS	P1	RELEASE DATE	2018/02/09	10:38:07
----------------	----	--------------	------------	----------

CONNECTOR WITH PICK & PLACE CAP



THIS DRAWING CONTAINS INFORMATION THAT IS PROPRIETARY TO MOLEX ELECTRONIC TECHNOLOGIES, LLC AND SHOULD NOT BE USED WITHOUT WRITTEN PERMISSION

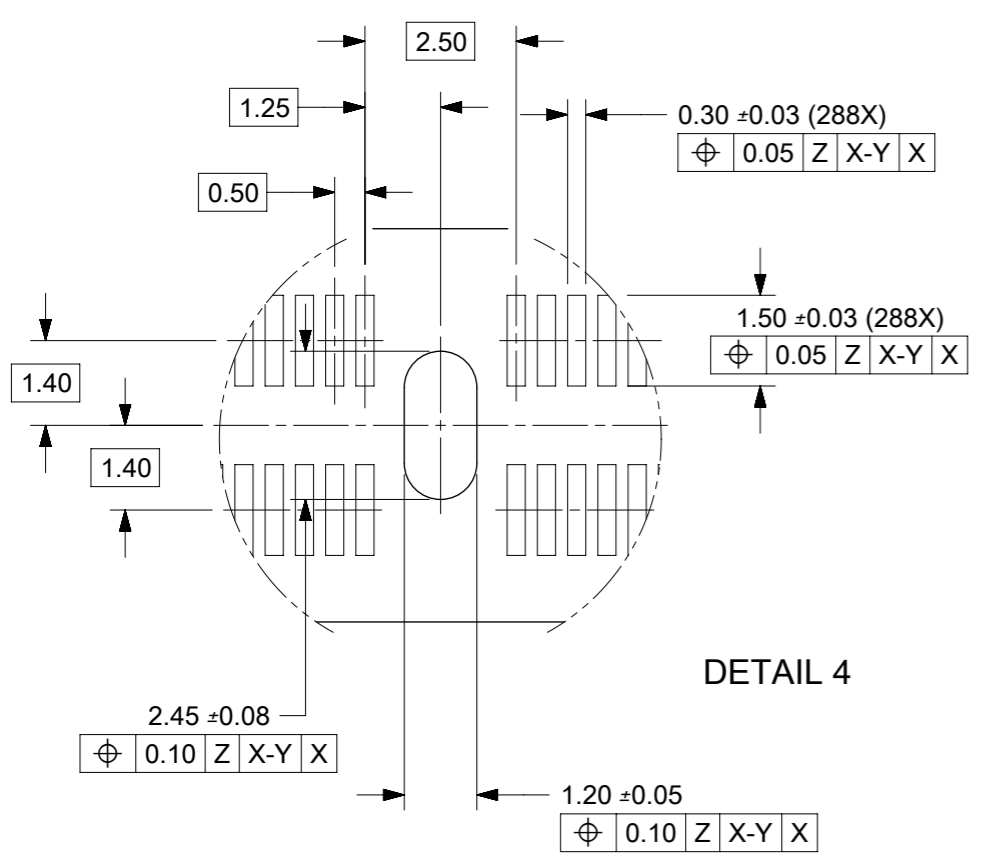
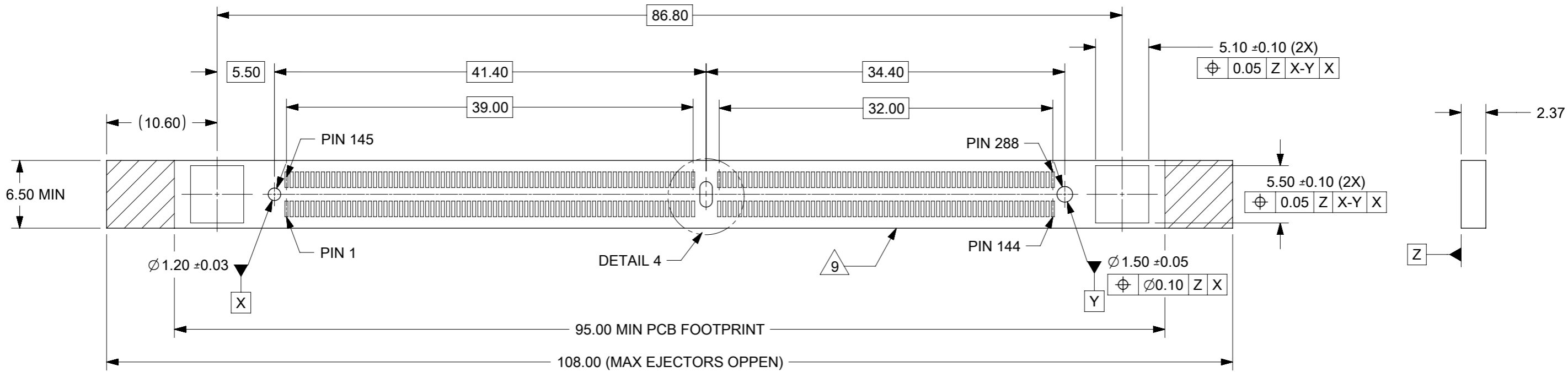
HOUSING MODIFIED EC NO: 167494 DRWN: JAKEEMEW CHK'D: CCTEH APPR: SHLENI	2017/11/01	GENERAL TOLERANCES (UNLESS SPECIFIED)		DIMENSION UNITS	SCALE					
	2018/01/25	ANGULAR TOL ± 3.0 °		mm	NTS					
	2018/02/09	4 PLACES	±	DRWN BY	DATE	DDR4 MINI DIMM, 0.50MM VERTICAL SMT 288CKTS				
		3 PLACES	±	JAKEEMEW	2014/12/16					
		2 PLACES	± 0.2	CHK'D BY	DATE	PRODUCT CUSTOMER DRAWING				
	1 PLACE	±	CCTEH	2015/05/29						
	0 PLACES	±	APPR BY	DATE	SERIES	MATERIAL NUMBER	CUSTOMER			
			SHLENI	2015/06/08	151105	SEE TABLE	GENERAL MARKET			
			DRAFT WHERE APPLICABLE MUST REMAIN WITHIN DIMENSIONS		DRAWING SIZE	THIRD ANGLE PROJECTION	DOCUMENT NUMBER	DOC TYPE	DOC PART	SHEET NUMBER
					A3		SD-151105-0001	PSD	000	4 OF 7



NOTE:  
 1 CHAMFERS AND/OR RADII AS DEFINED BY JEDEC SOLID STATE PRODUCT OUTLINE

THIS DRAWING CONTAINS INFORMATION THAT IS PROPRIETARY TO MOLEX ELECTRONIC TECHNOLOGIES, LLC AND SHOULD NOT BE USED WITHOUT WRITTEN PERMISSION

HOUSING MODIFIED EC NO: 167494 DRWN: JAKEEMEW CHK'D: CCTEH APPR: SHLENI	2017/11/01	GENERAL TOLERANCES (UNLESS SPECIFIED)	DIMENSION UNITS	SCALE			
	2018/01/25		mm	NTS			
	2018/02/09		ANGULAR TOL ± 3.0 °	DATE		DATE	
	4 PLACES ±		JAKEEMEW	2014/12/16			
B1	REV	3 PLACES ±	CHK'D BY	DATE	DDR4 MINI DIMM, 0.50MM VERTICAL SMT 288CKTS		
		2 PLACES ± 0.2	CCTEH	2015/05/29			
		1 PLACE ±	APPR BY	DATE		PRODUCT CUSTOMER DRAWING	
		0 PLACES ±	SHLENI	2015/06/08		SERIES	MATERIAL NUMBER
DRAFT WHERE APPLICABLE MUST REMAIN WITHIN DIMENSIONS		DRAWING SIZE	THIRD ANGLE PROJECTION	151105 SEE TABLE GENERAL MARKET			
		A3		DOCUMENT NUMBER	DOC TYPE	DOC PART	SHEET NUMBER
				SD-151105-0001	PSD	000	5 OF 7



THIS DRAWING CONTAINS INFORMATION THAT IS PROPRIETARY TO MOLEX ELECTRONIC TECHNOLOGIES, LLC AND SHOULD NOT BE USED WITHOUT WRITTEN PERMISSION

HOUSING MODIFIED	EC NO: 167494	DRWN: JAKEEMEW	CHK'D: CCTEH	APPR: SHLENI	DATE: 2017/11/01	DATE: 2018/01/25	DATE: 2018/02/09	<b>GENERAL TOLERANCES (UNLESS SPECIFIED)</b> ANGULAR TOL ± 3.0 ° 4 PLACES ± 3 PLACES ± 2 PLACES ± 0.2 1 PLACE ± 0 PLACES ± DRAFT WHERE APPLICABLE MUST REMAIN WITHIN DIMENSIONS	DIMENSION UNITS	SCALE	  DDR4 MINI DIMM, 0.50MM VERTICAL SMT 288CKTS
	mm		NTS		DRWN BY	DATE			JAKEEMEW	2014/12/16	
	4 PLACES ±		3 PLACES ±		CHK'D BY	DATE			CCTEH	2015/05/29	
	2 PLACES ± 0.2		1 PLACE ±		APPR BY	DATE			SHLENI	2015/06/08	
	0 PLACES ±		DRAFT WHERE APPLICABLE MUST REMAIN WITHIN DIMENSIONS		DRAWING SIZE	THIRD ANGLE PROJECTION			A3		
PRODUCT CUSTOMER DRAWING			SERIES	MATERIAL NUMBER	CUSTOMER						
			151105	SEE TABLE	GENERAL MARKET						
DOCUMENT NUMBER			DOC TYPE	DOC PART	SHEET NUMBER						
SD-151105-0001			PSD	000	6 OF 7						

9 8 7 6 5 4 3 2 1

E

ASSEMBLY PART NUMBER	CENTER PCB HOLD-DOWN FEATURE	PICK & PLACE CAP	PRODUCT SPECIFICATION	PACKAGING SPECIFICATION
151105-0001	YES	NO	PS-151105-0001	PK-151105-0001
151105-0002	NO	YES		
151105-0003	YES	YES		
151105-0004	NO	NO		

D

C

B

A

THIS DRAWING CONTAINS INFORMATION THAT IS PROPRIETARY TO MOLEX ELECTRONIC TECHNOLOGIES, LLC AND SHOULD NOT BE USED WITHOUT WRITTEN PERMISSION

HOUSING MODIFIED EC NO: 167494 DRWN: JAKEEMEW CHK'D: CCTEH REV APPR: SHLENI	2017/11/01	GENERAL TOLERANCES (UNLESS SPECIFIED)		DIMENSION UNITS	SCALE	<h1 style="margin: 0;">molex®</h1>				
	2018/01/25	ANGULAR TOL ± 3.0 °		mm	NTS					
	2018/02/09	4 PLACES ±	DRWN BY		DATE		DDR4 MINI DIMM, 0.50MM VERTICAL SMT 288CKTS			
		3 PLACES ±	JAKEEMEW		2014/12/16					
		2 PLACES ± 0.2	CHK'D BY		DATE					
		1 PLACE ±	CCTEH		2015/05/29		PRODUCT CUSTOMER DRAWING			
	0 PLACES ±	APPR BY		DATE		SERIES	MATERIAL NUMBER	CUSTOMER		
		SHLENI		2015/06/08		151105	SEE TABLE	GENERAL MARKET		
		DRAFT WHERE APPLICABLE MUST REMAIN WITHIN DIMENSIONS		DRAWING SIZE	THIRD ANGLE PROJECTION	DOCUMENT NUMBER		DOC TYPE	DOC PART	SHEET NUMBER
				A3		SD-151105-0001		PSD	000	7 OF 7

RELEASE STATUS	P1	RELEASE DATE	2018/02/09	10:38:07
----------------	----	--------------	------------	----------

9 8 7 6 5 4 3 2 1

FORMAT: master-b-prod-A3  
 REVISION: 0  
 DATE: 2015/12/14