

100/1000Base-T Magnetics
 Single Port RJ45 Connector
 with Integrated Magnetics and LED

Part Number:

HR901130A

Electrical Specification @25° C

Isolation: 1500Vrms (UTP Side to Chip Side)

OCL: 350uH Minimum @100KHz 100mV with 8mADC

Insertion Loss: -1.0dB Maximum @100KHz ~ 60MHz

Insertion Loss: -1.1dB Maximum @60MHz ~ 100MHz

Return Loss: -18dB Minimum @0.3MHz ~ 30MHz

-14dB Minimum @40MHz ~ 60MHz

-12dB Minimum @80MHz ~ 100MHz

Common Mode Rejection: -40dB Minimum @1MHz ~ 60MHz

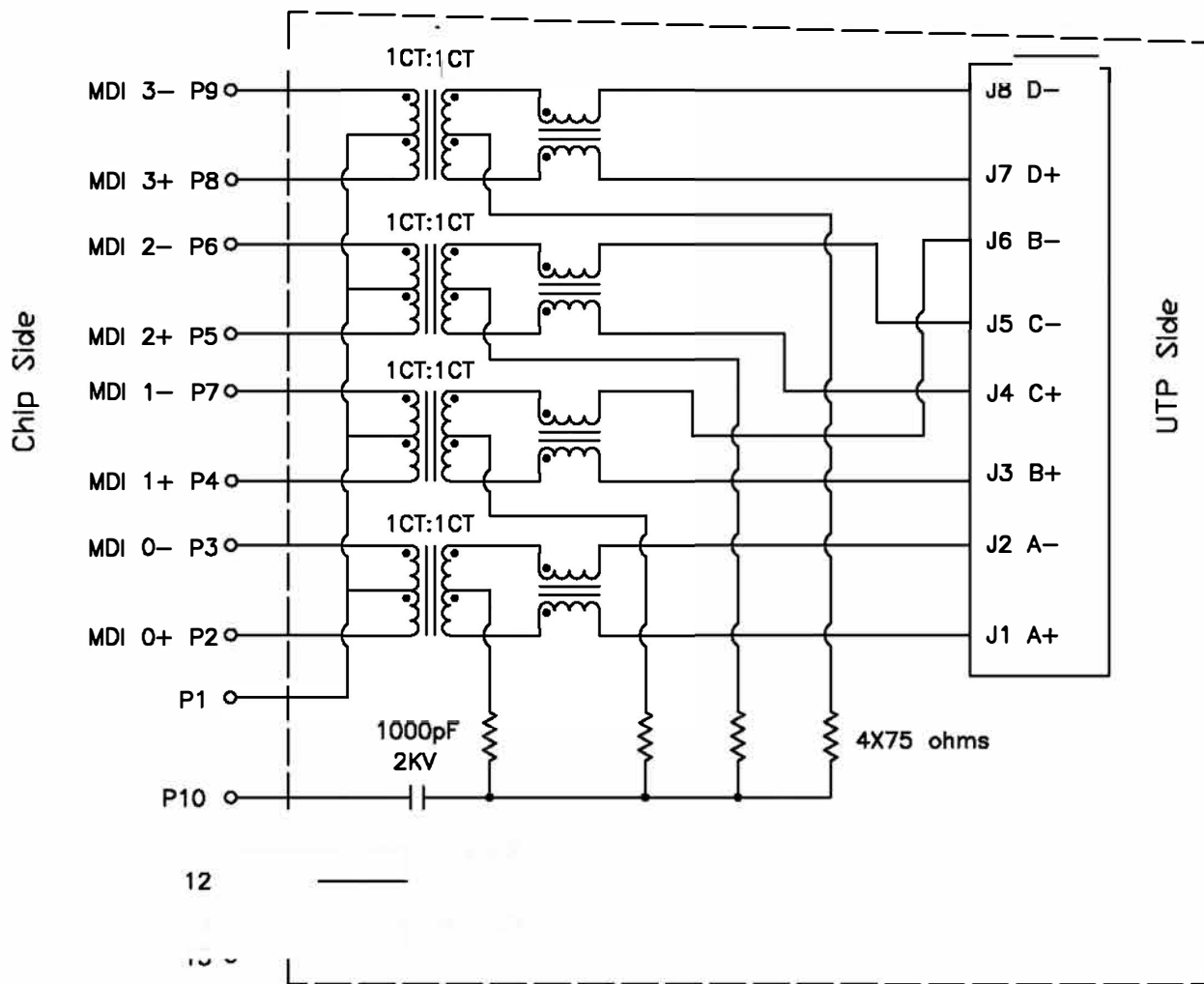
-35dB Minimum @60MHz ~ 100MHz

Crosstalk: -35dB Minimum @1MHz ~ 10MHz

-26dB Minimum @15MHz ~ 60MHz

-24dB Minimum @60MHz ~ 100MHz

Schematics



Part No.: HR901130A | Unless otherwise specified, Tolerance: | Rev: A DRWN: | Date:

Dimensions in mm | .xx ±0.25 | Page 1/2 | APPD: | Date:

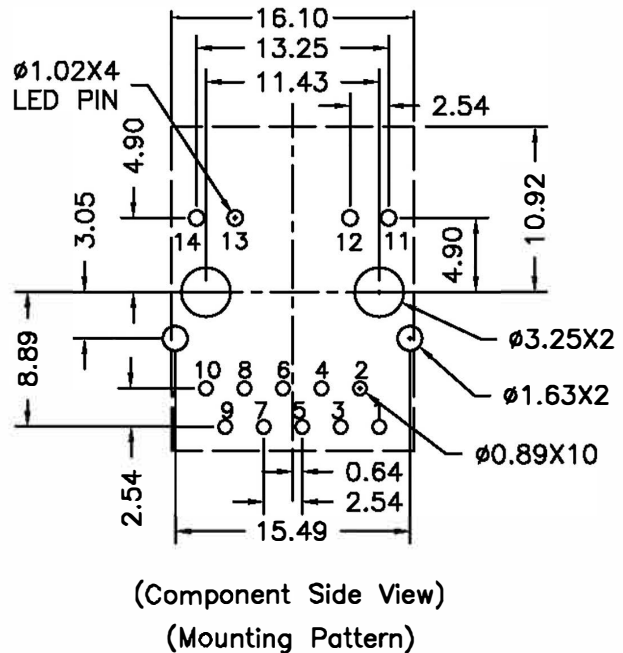
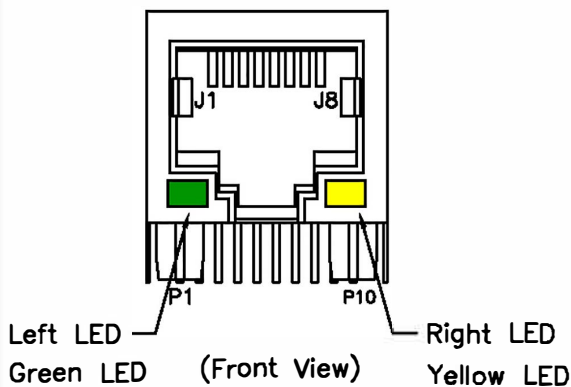
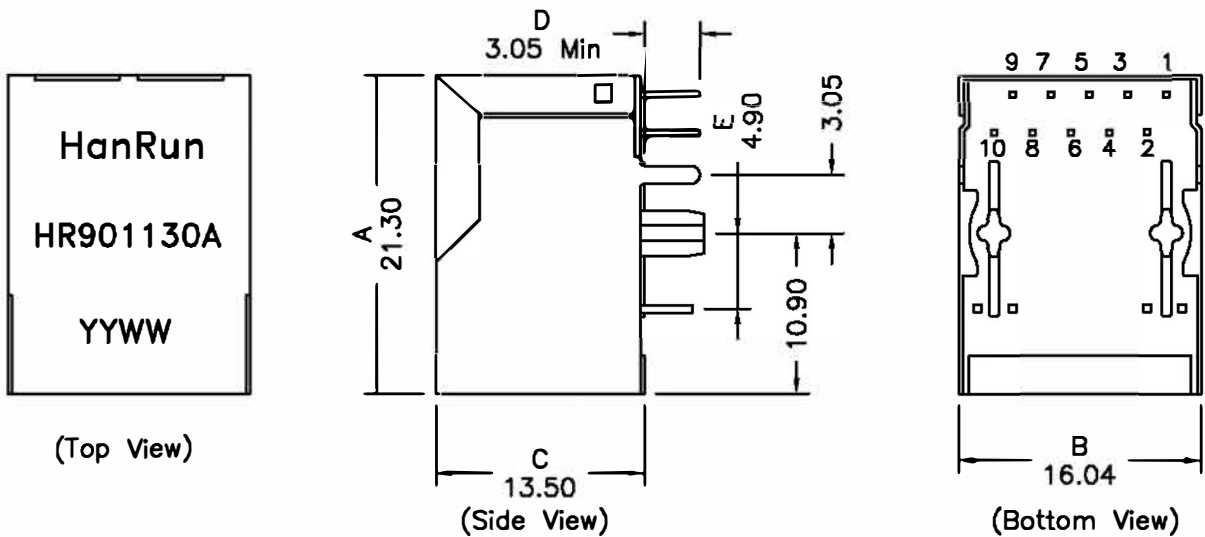
Single Port RJ45 Connector
with Integrated Magnetics and LED

Part Number

HR9 01130A (Shield Type: A)

- Meets or Exceeds IEEE802.3ab standards for 1000Base-T
- High performance for EMI suppression, Crosstalk, Return Loss and Consistent Electrical
- Minimum 1500Vrms isolation per IEEE802.3 requirement
- Minimize PCB space and Simplify PCB Layout
- Less magnetic components to place on PCB, Higher reliability and yields

Mechanical Dimensions:



Standard LED	Wavelength	Forward V (Min/Max)	Forward A	Type
Green	568nm	1.8V/2.8V	20mA	squareness
Yellow	585nm	1.8V/2.8V	20mA	squareness

Part No.: HR901130A | Unless otherwise specified, Tolerance: | Rev: A | DRWN: | Date:

Dimensions in mm | .xx ± 0.25 | Page 2/2 | APPD: | Date: