

Sensor/actuator box header - SACB-4/ 8-L-C GG SCO



1516739

<https://www.phoenixcontact.com/us/products/1516739>

Please be informed that the data shown in this PDF document is generated from our Online Catalog. Please find the complete data in the user documentation. Our General Terms of Use for Downloads are valid.



Sensor/actuator box header, application: Standard, connection method: M12-SPEEDCON-socket Metal, number of slots: 4, number of positions: 5, coding: A - standard, slot assignment: Double, status display: yes, pnp; master cable connection: Pluggable screw connection, shielding: no

Commercial Data

Item number	1516739
Packing unit	1 pc
Minimum order quantity	1 pc
Sales Key	B08
Product Key	BF3CCD
Catalog Page	Page 265 (C-2-2019)
GTIN	4017918967468
Weight per Piece (including packing)	197.6 g
Weight per Piece (excluding packing)	175.5 g
Customs tariff number	85366990
Country of origin	DE

Technical Data

Notes

Assembly instruction:	NOTE: Observe the permissible bending radii when laying conductors, since the degree of protection may be put in jeopardy if the bending forces are too high. Alleviate mechanical loads upstream of the connector, e.g. by using cable ties.
Note on application	Unused slots are to be sealed off prior to commissioning. Suitable sealing elements are to be found under "Accessories".

Product properties

Product type	Header with metric measurement slots
Number of positions	5
Application	Standard
Number of slots	4
Coding	A - standard

Electrical properties

Max. operating voltage U_{max}	30 V DC
Local diagnostics	Supply voltage per module Green LED
	Status display I/O Yellow LED
Nominal voltage U_N	24 V DC
Rated current, total	10 A
	2x 8 A (For electrical isolation)
Max. current carrying capacity per path	2 A
Current carrying capacity per slot	4 A

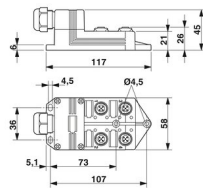
System properties

Local diagnostics	
Monitored function	Supply voltage per module
Optical representation	Green LED

LED signaling

Status display present	yes
------------------------	-----

Dimensions

Dimensional drawing	
Width	58 mm
Height	26 mm

Sensor/actuator box header - SACB-4/ 8-L-C GG SCO



1516739

<https://www.phoenixcontact.com/us/products/1516739>

Length	117 mm
--------	--------

Material specifications

Color	green
Flammability rating according to UL 94	V0
Material of threaded sleeve	Zinc die-cast
Material of threaded sleeve surface	Nickel-plated
Contact material	Cu alloy
Contact surface material	gold-plated
Contact carrier material	PA
Material of contact, master cable side	CU alloy
Material of the contact carrier on the master cable side	PA 6.6 V0
Material of contact surface, master cable side	gold-plated
O-ring material	NBR
Material of the moulding mass	PUR
Housing material	PBT

Cable / line

Sensor/actuator connection system	M12-SPEEDCON-socket
Connection method	Pluggable screw connection
Tightening torque of mounting screw for fixing the housing	0.5 Nm
Tightening torque slot sensor/actuator cable	0.4 Nm

Environmental and real-life conditions

Ambient conditions

Degree of protection	IP65
	IP67
	IP69K
Ambient temperature (operation)	-30 °C ... 80 °C

Standards and regulations

Standards/specifications	IEC 61076-2-101
--------------------------	-----------------

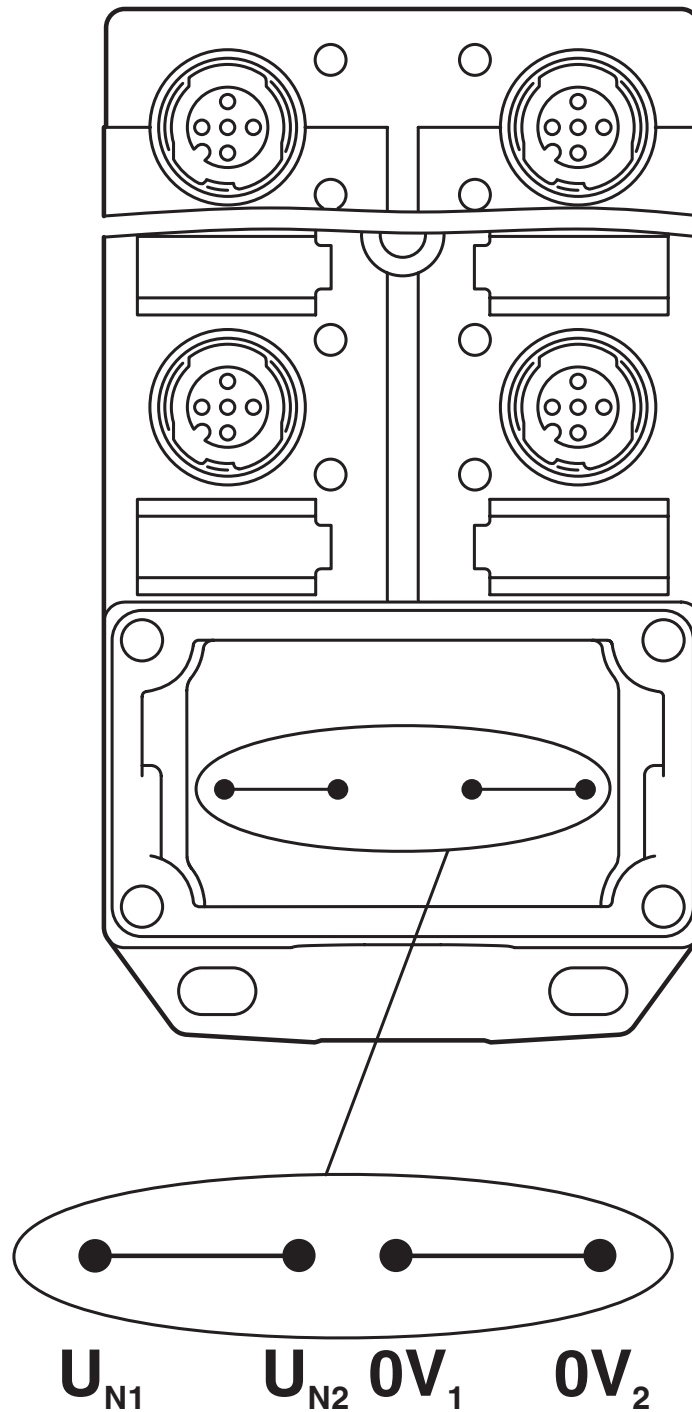
Sensor/actuator box header - SACB-4/ 8-L-C GG SCO

1516739

<https://www.phoenixcontact.com/us/products/1516739>

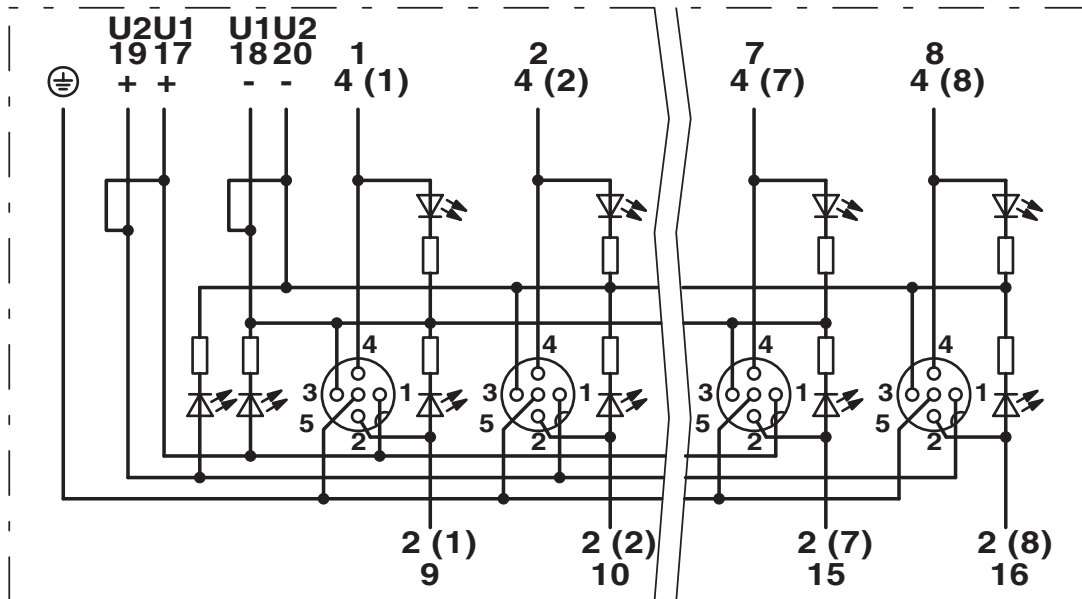
Drawings

Schematic diagram

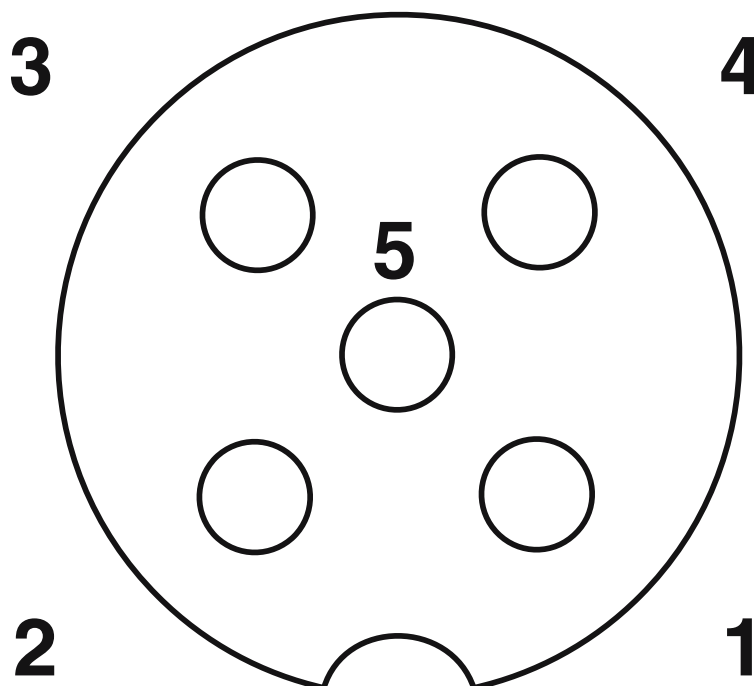


Potential U_{N1} and U_{N2} bridged. Potential assignment: $U_{N1} = U_{N2} = \text{slots } 1,2,3,4$.

Circuit diagram



Schematic diagram



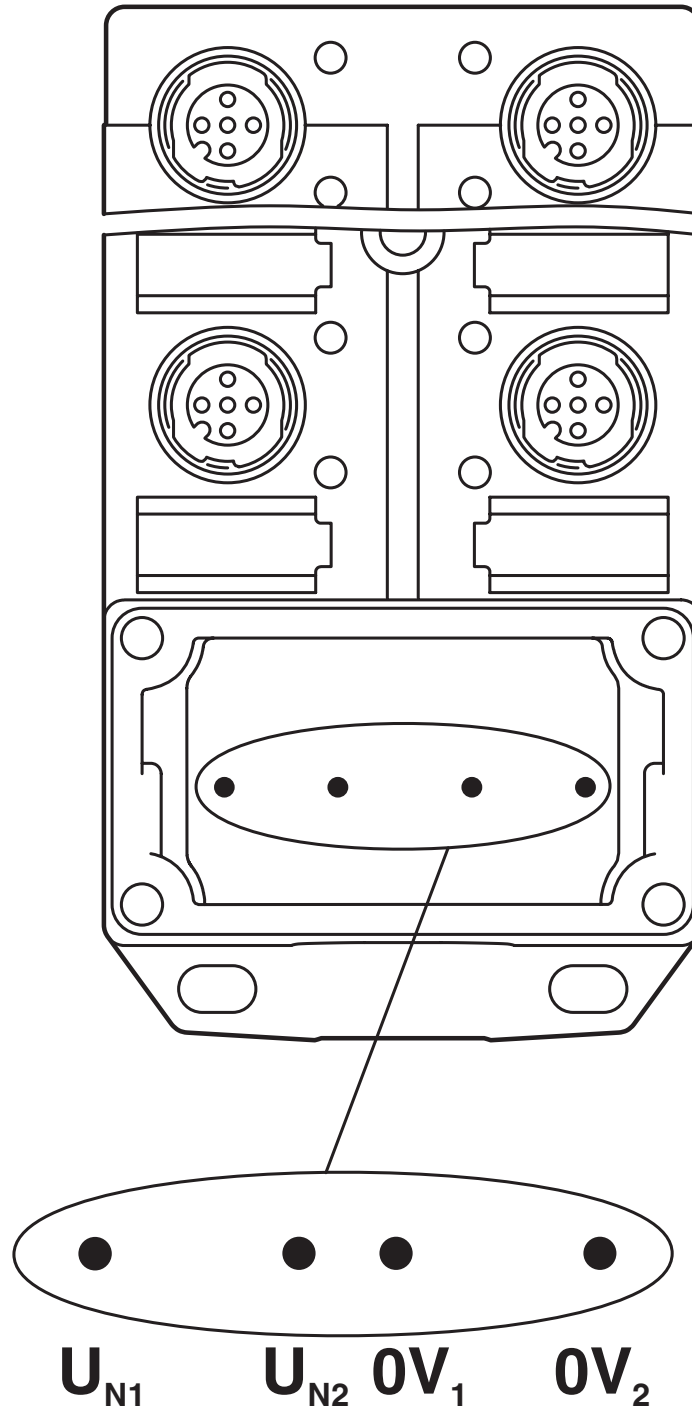
Sensor/actuator box header - SACB-4/ 8-L-C GG SCO

1516739

<https://www.phoenixcontact.com/us/products/1516739>



Schematic diagram



Electrically isolated. Potential assignment: U_{N1} = slots 1,3 and U_{N2} = slots 2,4.

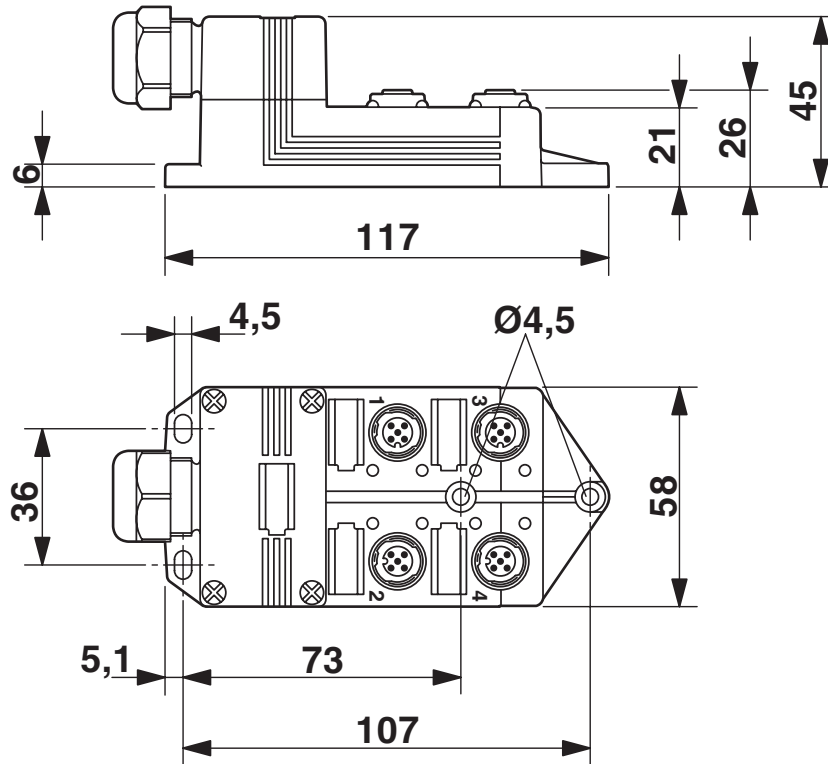
Sensor/actuator box header - SACB-4/ 8-L-C GG SCO



1516739

<https://www.phoenixcontact.com/us/products/1516739>

Dimensional drawing




Sensor/actuator box header - SACB-4/ 8-L-C GG SCO




1516739

<https://www.phoenixcontact.com/us/products/1516739>

Approvals

 cUL Recognized Approval ID: FILE E 118976				
	Nominal Voltage U_N	Nominal Current I_N	Cross Section AWG	Cross Section mm^2
	24 V	3 A	-	-

 UL Recognized Approval ID: FILE E 118976				
	Nominal Voltage U_N	Nominal Current I_N	Cross Section AWG	Cross Section mm^2
	24 V	3 A	-	-

cULus Recognized

Sensor/actuator box header - SACB-4/ 8-L-C GG SCO



1516739

<https://www.phoenixcontact.com/us/products/1516739>

Classifications

ECLASS

ECLASS-9.0	27440108
ECLASS-10.0.1	27440111
ECLASS-11.0	27440111

ETIM

ETIM 8.0	EC003558
----------	----------

UNSPSC

UNSPSC 21.0	31251500
-------------	----------

Sensor/actuator box header - SACB-4/ 8-L-C GG SCO



1516739

<https://www.phoenixcontact.com/us/products/1516739>

Environmental Product Compliance

China RoHS	Environmentally friendly use period: unlimited = EFUP-e
	No hazardous substances above threshold values

1516739

<https://www.phoenixcontact.com/us/products/1516739>

Mandatory Accessories

Connector hood

Connector hood - SACB-C-H180-4/ 8- 5,0PUR SCO - 1516593

<https://www.phoenixcontact.com/us/products/1516593>



Connector hood, application: Sensor/actuator box, connection method: M12-SPEEDCON-socket Metal / QUICKON, number of slots: 4, slot assignment: Double, status display: No; master cable connection: Pluggable screw connection 180°, PUR/PVC, cable length: 5 m, shielding: no

Connector hood

Connector hood - SACB-C-H180-4/ 8-10,0PUR SCO - 1516603

<https://www.phoenixcontact.com/us/products/1516603>



Connector hood, application: Sensor/actuator box, connection method: M12-SPEEDCON-socket Metal / QUICKON, number of slots: 4, slot assignment: Double, status display: No; master cable connection: Pluggable screw connection 180°, PUR/PVC, cable length: 10 m, shielding: no

Sensor/actuator box header - SACB-4/ 8-L-C GG SCO



1516739

<https://www.phoenixcontact.com/us/products/1516739>

Connector hood

Connector hood - SACB-C-H180 8/16 SCO - 1516713

<https://www.phoenixcontact.com/us/products/1516713>



Connector hood with integrated connector with screw connection, for sensor/actuator boxes with M12 metal thread or QUICKON connection and master cable connection, for 4, 6, or 8 slots

Accessories

Screw plug

Screw plug - PROT-MS SCO - 1553129

<https://www.phoenixcontact.com/us/products/1553129>



M12 screw plug with fast-locking system for unoccupied M12 female connectors of sensor/actuator cables, boxes, and flush-type connectors

Sensor/actuator box header - SACB-4/ 8-L-C GG SCO



1516739

<https://www.phoenixcontact.com/us/products/1516739>

Torque screwdriver

Torque screwdriver - TSD 04 SAC - 1208429

<https://www.phoenixcontact.com/us/products/1208429>



Torque screwdriver, with preset torque of 0.4 Nm and 4 mm hexagonal drive for M12 connectors

Torque screwdriver

Torque screwdriver - TSD-M 1,2NM - 1212224

<https://www.phoenixcontact.com/us/products/1212224>



Torque screw driver, accuracy as per EN ISO 6789 standard, adjustable from 0.3 - 1.2 Nm

Sensor/actuator box header - SACB-4/ 8-L-C GG SCO



1516739

<https://www.phoenixcontact.com/us/products/1516739>

Adapter insert

Adapter insert - TSD-M SAC-BIT ADAPTER - 1212600

<https://www.phoenixcontact.com/us/products/1212600>



Adapter bit for TSD-M...torque tools, E6.3-1/4" drive with 4 mm hexagon to accommodate SAC bits

Tool

Tool - SAC BIT M12-D15 - 1208432

<https://www.phoenixcontact.com/us/products/1208432>



Nut for assembling sensor/actuator cables with M12 connector and M12 connectors for assembly, with a knurl diameter of 15 mm, for 4 mm hexagonal drive

Sensor/actuator box header - SACB-4/ 8-L-C GG SCO



1516739

<https://www.phoenixcontact.com/us/products/1516739>

Tool

Tool - SACC BIT M12-D20 - 1208445

<https://www.phoenixcontact.com/us/products/1208445>

Nut for assembling M12 connectors for assembly with a knurl diameter of 20 mm, for 4 mm hexagonal drive



Snap-in markers

Snap-in markers - UC-EM (17,5X9) - 0827490

<https://www.phoenixcontact.com/us/products/0827490>

Snap-in markers, Sheet, white, unlabeled, can be labeled with: BLUEMARK ID, BLUEMARK ID COLOR, BLUEMARK CLED, BLUEMARK LED, CMS-P1-PLOTTER, PLOTMARK, mounting type: snapped, lettering field size: 17.5 x 9 mm, Number of individual labels: 20



Sensor/actuator box header - SACB-4/ 8-L-C GG SCO



1516739

<https://www.phoenixcontact.com/us/products/1516739>

Snap-in markers

Snap-in markers - UC-EM (17,5X9) CUS - 0828238

<https://www.phoenixcontact.com/us/products/0828238>



Snap-in markers, can be ordered: by sheet, white, labeled according to customer specifications, mounting type: snapped into marker carrier, lettering field size: 17.5 x 9 mm, Number of individual labels: 20

Snap-in markers

Snap-in markers - UCT-EM (17,5X9) - 0801491

<https://www.phoenixcontact.com/us/products/0801491>



Snap-in markers, Sheet, white, unlabeled, can be labeled with: TOPMARK NEO, TOPMARK LASER, BLUEMARK ID COLOR, BLUEMARK ID, BLUEMARK CLED, THERMOMARK PRIME, THERMOMARK CARD 2.0, THERMOMARK CARD, mounting type: snapped, lettering field size: 17.5 x 9 mm, Number of individual labels: 24

Sensor/actuator box header - SACB-4/ 8-L-C GG SCO



1516739

<https://www.phoenixcontact.com/us/products/1516739>

Snap-in markers

Snap-in markers - UCT-EM (17,5X9) CUS - 0801575

<https://www.phoenixcontact.com/us/products/0801575>

UniCard sheet, for labeling devices from other manufacturers, for overview table see download area, labeled according to customer specifications

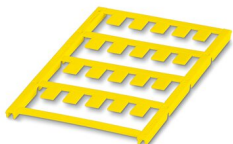


Snap-in markers

Snap-in markers - UC-EM (17,5X9) YE - 0827494

<https://www.phoenixcontact.com/us/products/0827494>

Snap-in markers, Sheet, yellow, unlabeled, can be labeled with: BLUEMARK ID COLOR, BLUEMARK ID, BLUEMARK CLED, PLOTMARK, CMS-P1-PLOTTER, mounting type: snapped, lettering field size: 17.5 x 9 mm, Number of individual labels: 20



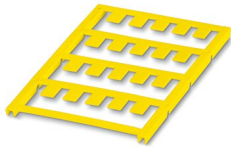
1516739

<https://www.phoenixcontact.com/us/products/1516739>

Snap-in markers

Snap-in markers - UC-EM (17,5X9) YE CUS - 0828239

<https://www.phoenixcontact.com/us/products/0828239>



Snap-in markers, can be ordered: by sheet, yellow, labeled according to customer specifications, mounting type: snapped into marker carrier, lettering field size: 17.5 x 9 mm, Number of individual labels: 20

Snap-in markers

Snap-in markers - UCT-EM (17,5X9) YE - 0801492

<https://www.phoenixcontact.com/us/products/0801492>



Snap-in markers, Sheet, yellow, unlabeled, can be labeled with: TOPMARK NEO, TOPMARK LASER, BLUEMARK ID COLOR, BLUEMARK ID, BLUEMARK CLED, THERMOMARK PRIME, THERMOMARK CARD 2.0, THERMOMARK CARD, mounting type: snapped, lettering field size: 17.5 x 9 mm, Number of individual labels: 24

Sensor/actuator box header - SACB-4/ 8-L-C GG SCO



1516739

<https://www.phoenixcontact.com/us/products/1516739>

Snap-in markers

Snap-in markers - UCT-EM (17,5X9) YE CUS - 0801576

<https://www.phoenixcontact.com/us/products/0801576>

UniCard sheet, for labeling devices from other manufacturers, for overview table see download area, labeled according to customer specifications



Screwdriver

Screwdriver - SZK PZ1 VDE - 1206450

<https://www.phoenixcontact.com/us/products/1206450>

Screwdriver, PZ crosshead, VDE insulated, size: PZ 1 x 80 mm, 2-component grip, with non-slip grip



Sensor/actuator box header - SACB-4/ 8-L-C GG SCO



1516739

<https://www.phoenixcontact.com/us/products/1516739>

Torque screwdriver

Torque screwdriver - TSD 25 SAC - 1212315

<https://www.phoenixcontact.com/us/products/1212315>



Torque screwdriver, with preset torque of 2.5 Nm and 4 mm hexagonal drive for the pressure nut of the connector hood

Torque screwdriver

Torque screwdriver - TSD-M 3NM - 1212225

<https://www.phoenixcontact.com/us/products/1212225>



Torque screw driver, accuracy as per EN ISO 6789 standard, adjustable from 1.2 - 3 Nm

Sensor/actuator box header - SACB-4/ 8-L-C GG SCO



1516739

<https://www.phoenixcontact.com/us/products/1516739>

Tool

Tool - SAC BIT HOOD-W 24 - 1212486

<https://www.phoenixcontact.com/us/products/1212486>

Nut for assembling pressure nuts with 24 mm wrench size, for 4 mm hexagonal drive



Screw insert

Screw insert - SF-BIT-PZ 1-50 - 1212591

<https://www.phoenixcontact.com/us/products/1212591>

Screw bit, PZ crosshead, E6.3-1/4" drive, size: PZ 1 x 50 mm, hardened, suitable for holder according to DIN 3126-F6.3/ISO 1173



Sensor/actuator box header - SACB-4/ 8-L-C GG SCO



1516739

<https://www.phoenixcontact.com/us/products/1516739>

DIN rail adapter

DIN rail adapter - UTA 107 - 2853983

<https://www.phoenixcontact.com/us/products/2853983>

Universal DIN rail adapter, for screwing on switchgear



Phoenix Contact 2022 © - all rights reserved

<https://www.phoenixcontact.com>

Phoenix Contact USA
586 Fulling Mill Road
Middletown, PA 17057, United States
(+717) 944-1300
info@phoenixcon.com