

# TL2575, TL2575HV 1-A Simple Step-Down Switching Voltage Regulators

## 1 Features

- Fixed 3.3-V, 5-V, 12-V, and 15-V options with  $\pm 5\%$  regulation (maximum) over line, load, and temperature conditions
- Adjustable option with a range of 1.23 V to 37 V (57 V for HV version) and  $\pm 4\%$  regulation (maximum) over line, load, and temperature conditions
- Specified 1-A output current
- Wide input voltage range
  - 4.75 V to 40 V (60 V for HV version)
- Requires only four external components (fixed versions) and uses readily available standard inductors
- 52-kHz (typical) fixed-frequency internal oscillator
- TTL shutdown capability with 50- $\mu$ A (typical) standby current
- High efficiency
  - As high as 88% (typical)
- Thermal shutdown and current-limit protection with cycle-by-cycle current limiting

## 2 Applications

- [Buck and inverting buck-boost power supplies](#)
- [Motor drives and building automation](#)
- [Grid infrastructure and factory automation and control](#)

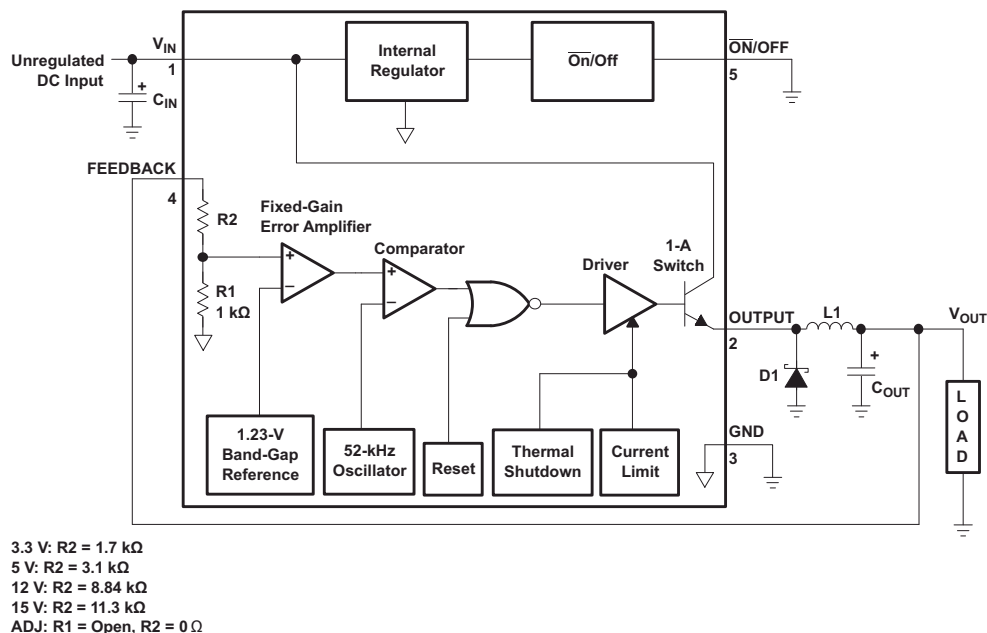
## 3 Description

The TL2575 and TL2575HV devices provide all the active functions needed for a step-down (buck) switching regulator in an integrated circuit. They require four to six external components for operation. They accept a wide input-voltage range of up to 60 V (TL2575-HV) and are available in fixed output voltages of 3.3 V, 5 V, 12 V, 15 V, or an adjustable-output version. The TL2575 and TL2575HV devices have an integrated switch capable of delivering 1 A of load current, with excellent line and load regulation. The device also offers internal frequency compensation, a fixed-frequency oscillator, cycle-by-cycle current limiting, and thermal shutdown. In addition, a manual shutdown is available through the external  $\overline{\text{ON/OFF}}$  pin.

### Device Information

| PART NUMBER      | PACKAGE <sup>(1)</sup> | BODY SIZE (NOM)           |
|------------------|------------------------|---------------------------|
| TL2575, TL2575HV | PDIP (16)              | 19.31 mm $\times$ 6.35 mm |
|                  | TO-263 (5)             | 10.16 mm $\times$ 8.93 mm |
|                  | TO-220 (5)             | 10.16 mm $\times$ 8.82 mm |

(1) For all available packages, see the orderable addendum at the end of the data sheet.



Pin numbers are for the KTT (TO-263) package.

### Functional Block Diagram



## Table of Contents

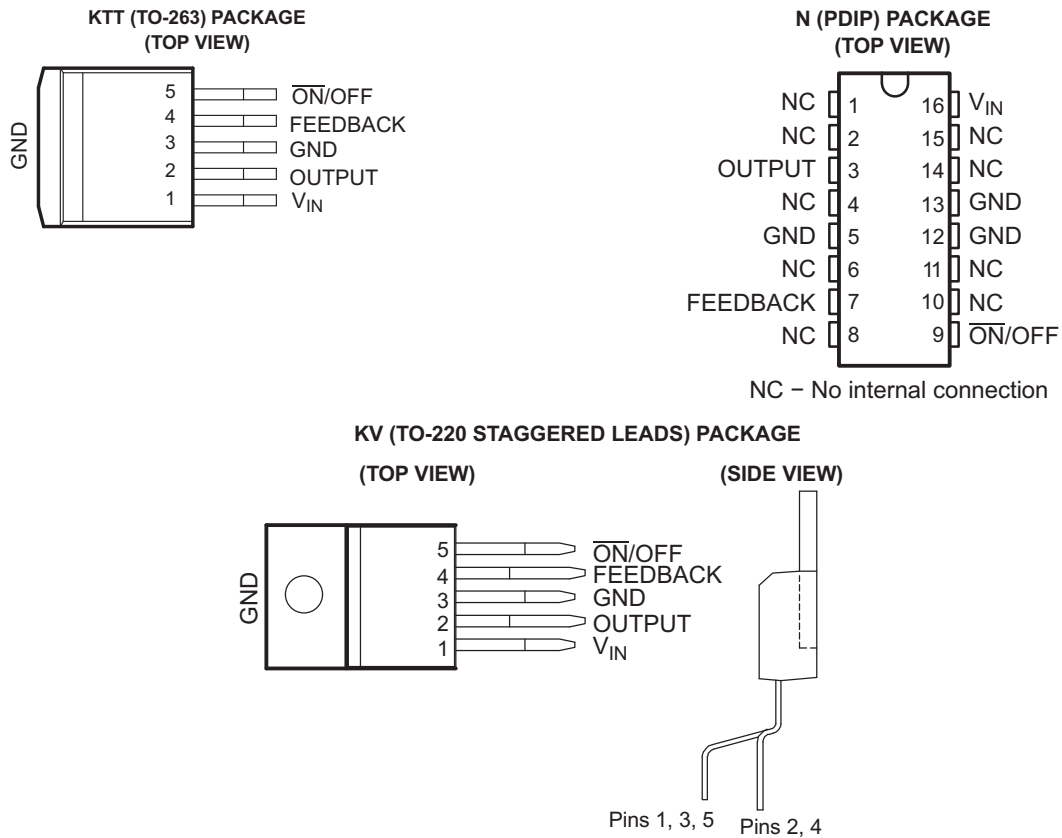
|  |    |  |    |
|--|----|--|----|
| <b>1 Features</b> .....                          | 1  | 8.3 Feature Description.....                                     | 11 |
| <b>2 Applications</b> .....                      | 1  | 8.4 Device Functional Modes.....                                 | 12 |
| <b>3 Description</b> .....                       | 1  | <b>9 Application and Implementation</b> .....                    | 13 |
| <b>4 Revision History</b> .....                  | 2  | 9.1 Typical Application.....                                     | 13 |
| <b>5 Pin Configuration and Functions</b> .....   | 3  | <b>10 Power Supply Recommendations</b> .....                     | 19 |
| <b>6 Specifications</b> .....                    | 4  | <b>11 Layout</b> .....   | 19 |
| 6.1 Absolute Maximum Ratings.....                | 4  | 11.1 Layout Guidelines.....                                      | 19 |
| 6.2 ESD Ratings.....                             | 4  | 11.2 Layout Example.....   | 19 |
| 6.3 Recommended Operating Conditions.....        | 4  | <b>12 Device and Documentation Support</b> .....                 | 20 |
| 6.4 Thermal Information.....                     | 4  | 12.1 Receiving Notification of Documentation Updates.....        | 20 |
| 6.5 Electrical Characteristics — TL2575.....     | 5  | 12.2 Support Resources.....                                      | 20 |
| 6.6 Electrical Characteristics — TL2575HV.....   | 6  | 12.3 Trademarks.....   | 20 |
| 6.7 Typical Characteristics.....                 | 8  | 12.4 Electrostatic Discharge Caution.....                        | 20 |
| <b>7 Parameter Measurement Information</b> ..... | 10 | 12.5 Glossary.....   | 20 |
| 7.1 Test Circuits.....                           | 10 | <b>13 Mechanical, Packaging, and Orderable Information</b> ..... | 20 |
| <b>8 Detailed Description</b> .....              | 11 | 13.1 Package Option Addendum.....                                | 21 |
| 8.1 Overview.....                                | 11 |  |    |
| 8.2 Functional Block Diagram.....                | 11 |  |    |

## 4 Revision History

| <b>Changes from Revision C (October 2014) to Revision D (June 2022)</b>                               | <b>Page</b> |
|---|-------------|
| • Updated the numbering format for tables, figures, and cross-references throughout the document..... | 1           |
| • Updated applications.....   | 1           |

| <b>Changes from Revision B (January 2007) to Revision C (October 2014)</b> | <b>Page</b> |
|--|-------------|
| • Updated document to new TI data sheet format.....                        | 1           |
| • Deleted Ordering Information table.....                                  | 1           |
| • Added Pin Functions table.....   | 3           |
| • Added ESD Ratings table.....   | 4           |
| • Changed Thermal Information table.....                                   | 4           |
| • Added Detailed Description section.....                                  | 11          |
| • Added Application and Implementation section.....                        | 13          |
| • Added Power Supply Recommendations and Layout sections.....              | 19          |

## 5 Pin Configuration and Functions



**Table 5-1. Pin Functions**

| NAME                       | PIN        |        |           | TYPE   | DESCRIPTION  |
|----------------------------|------------|--------|-----------|--------|--|
|                            | KTT TO-263 | N PDIP | KV TO-220 |        |  |
| FEEDBACK                   | 4          | 7      | 4         | Input  | Feedback pin. Connect to $V_{\text{OUT}}$ for the fixed-voltage TL2575. Connect this pin between two adjustment resistors for the adjustable-voltage TL2575. |
| GND                        | 3          | 5      | 3         | —      | Ground   |
|                            |            | 12     |           |        |  |
|                            |            | 13     |           |        |  |
| NC                         | —          | 1      | —         | —      | No connect   |
|                            |            | 2      |           |        |  |
|                            |            | 4      |           |        |  |
|                            |            | 6      |           |        |  |
|                            |            | 8      |           |        |  |
|                            |            | 10     |           |        |  |
|                            |            | 11     |           |        |  |
|                            |            | 14     |           |        |  |
| 15                         |            |        |           |        |  |
| $\overline{\text{ON/OFF}}$ | 5          | 9      | 5         | Input  | Manual shutdown pin  |
| OUTPUT                     | 2          | 3      | 2         | Output | Output pin   |
| $V_{\text{IN}}$            | 1          | 16     | 1         | Input  | Supply input pin   |

## 6 Specifications

### 6.1 Absolute Maximum Ratings

over operating free-air temperature range (unless otherwise noted)<sup>(1)</sup>

|                                      |                              |          | MIN  | MAX             | UNIT |
|--------------------------------------|------------------------------|----------|------|-----------------|------|
| V <sub>IN</sub>                      | Supply voltage               | TL2575HV |      | 60              | V    |
|                                      |                              | TL2575   |      | 42              |      |
| ON/OFF input voltage range           |                              |          | -0.3 | V <sub>IN</sub> | V    |
| Output voltage to GND (steady state) |                              |          |      | -1              | V    |
| T <sub>J</sub>                       | Maximum junction temperature |          |      | 150             | °C   |

(1) Stresses beyond those listed under *Absolute Maximum Ratings* may cause permanent damage to the device. These are stress ratings only, and functional operation of the device at these or any other conditions beyond those indicated under *Recommended Operating Conditions* is not implied. Exposure to absolute-maximum-rated conditions for extended periods may affect device reliability.

### 6.2 ESD Ratings

|                    |                           |  | MIN | MAX  | UNIT |
|--------------------|---------------------------|--|-----|------|------|
| T <sub>stg</sub>   | Storage temperature range |  | -65 | 150  | °C   |
| V <sub>(ESD)</sub> | Electrostatic discharge   | Human body model (HBM), per ANSI/ESDA/JEDEC JS-001, all pins <sup>(1)</sup>              | 0   | 2000 | V    |
|                    |                           | Charged device model (CDM), per JEDEC specification JESD22-C101, all pins <sup>(2)</sup> | 0   | 1000 |      |

(1) JEDEC document JEP155 states that 500-V HBM allows safe manufacturing with a standard ESD control process.

(2) JEDEC document JEP157 states that 250-V CDM allows safe manufacturing with a standard ESD control process.

### 6.3 Recommended Operating Conditions

over operating free-air temperature range (unless otherwise noted)

|                 |  |          | MIN  | MAX | UNIT |
|-----------------|--|----------|------|-----|------|
| V <sub>IN</sub> | Supply voltage                         | TL2575HV | 4.75 | 60  | V    |
|                 |  | TL2575   | 4.75 | 40  |      |
| T <sub>J</sub>  | Operating virtual junction temperature |          | -40  | 125 | °C   |

### 6.4 Thermal Information

| THERMAL METRIC <sup>(1)</sup> |  | KTT    | KV     | N       | UNIT |
|-------------------------------|--|--------|--------|---------|------|
|                               |  | 5 PINS | 5 PINS | 16 PINS |      |
| R <sub>θJA</sub>              | Junction-to-ambient thermal resistance       | 26.5   | 26.5   | 67      | °C/W |
| R <sub>θJC(top)</sub>         | Junction-to-case (top) thermal resistance    | 31.8   | 31.8   | 57      |      |
| R <sub>θJC(bot)</sub>         | Junction-to-case (bottom) thermal resistance | 0.38   | 0.38   | —       |      |

(1) For more information about traditional and new thermal metrics, see the [IC Package Thermal Metrics](#) application report.

## 6.5 Electrical Characteristics — TL2575

$I_{LOAD} = 200\text{ mA}$ ,  $V_{IN} = 12\text{ V}$  for 3.3-V, 5-V, and adjustable versions,  $V_{IN} = 25\text{ V}$  for 12-V version,  $V_{IN} = 30\text{ V}$  for 15-V version (unless otherwise noted) (see [Figure 7-1](#))

| PARAMETER        |   | TEST CONDITIONS  | $T_J$      | TL2575                                       |       |               | UNIT |       |
|------------------|---|--|------------|--|-------|---------------|------|-------|
|                  |   |  |            | MIN  | TYP   | MAX           |      |       |
| $V_{OUT}$        | Output voltage  | TL2575-33<br>$V_{IN} = 12\text{ V}$ , $I_{LOAD} = 0.2\text{ A}$                            | 25°C       | 3.234  | 3.3   | 3.366         | V    |       |
|                  |   |  | Full range | 25°C   | 3.168 | 3.3           |      | 3.432 |
|                  |   |  |            | 3.135  | 3.465 |               |      |       |
|                  |   | TL2575-05<br>$V_{IN} = 12\text{ V}$ , $I_{LOAD} = 0.2\text{ A}$                            | 25°C       | 4.9  | 5     | 5.1           |      |       |
|                  |   |  | Full range | 25°C   | 4.8   | 5             |      | 5.2   |
|                  |   |  |            | 4.75   | 5.25  |               |      |       |
|                  | TL2575-12<br>$V_{IN} = 25\text{ V}$ , $I_{LOAD} = 0.2\text{ A}$ | 25°C   | 11.76      | 12   | 12.24 |               |      |       |
|                  |   | Full range   | 25°C       | 11.52  | 12    | 12.48         |      |       |
|                  |   |  | 11.4       | 12.6   |       |               |      |       |
|                  | TL2575-15<br>$V_{IN} = 30\text{ V}$ , $I_{LOAD} = 0.2\text{ A}$ | 25°C   | 14.7       | 15   | 15.3  |               |      |       |
|                  |   | Full range   | 25°C       | 14.4   | 15    | 15.6          |      |       |
|                  |   |  | 14.25      | 15.75  |       |               |      |       |
| Feedback voltage | TL2575-ADJ  | $V_{IN} = 12\text{ V}$ , $V_{OUT} = 5\text{ V}$ ,<br>$I_{LOAD} = 0.2\text{ A}$             | 25°C       | 1.217  | 1.23  | 1.243         | V    |       |
|                  |   |  | Full range | 25°C   | 1.193 | 1.23          |      | 1.267 |
|                  |   |  |            | 1.18   | 1.28  |               |      |       |
| $\eta$           | Efficiency  | TL2575-33<br>$V_{IN} = 12\text{ V}$ , $I_{LOAD} = 1\text{ A}$                              | 25°C       | 75%  |       |               |      |       |
|                  |   | TL2575-05<br>$V_{IN} = 12\text{ V}$ , $I_{LOAD} = 1\text{ A}$                              |            | 77%  |       |               |      |       |
|                  |   | TL2575-12<br>$V_{IN} = 15\text{ V}$ , $I_{LOAD} = 1\text{ A}$                              |            | 88%  |       |               |      |       |
|                  |   | TL2575-15<br>$V_{IN} = 18\text{ V}$ , $I_{LOAD} = 1\text{ A}$                              |            | 88%  |       |               |      |       |
|                  |   | TL2575-ADJ<br>$V_{IN} = 12\text{ V}$ , $V_{OUT} = 5\text{ V}$ ,<br>$I_{LOAD} = 1\text{ A}$ |            | 77%  |       |               |      |       |
| $I_{IB}$         | Feedback bias current   | $V_{OUT} = 5\text{ V}$ (ADJ version only)  | 25°C       | 50   | 100   | nA            |      |       |
|                  |   |  | Full range | 500  |       |               |      |       |
| $f_o$            | Oscillator frequency <sup>(1)</sup>                             |  | 25°C       | 47   | 52    | 58            | kHz  |       |
|                  |   |  | Full range | 42   | 63    |               |      |       |
| $V_{SAT}$        | Saturation voltage  | $I_{OUT} = 1\text{ A}$ <sup>(2)</sup>  | 25°C       | 0.9  |       | 1.2           | V    |       |
|                  |   |  | Full range | 1.4  |       |               |      |       |
|                  | Maximum duty cycle <sup>(3)</sup>                               |  | 25°C       | 93%  | 98%   |               |      |       |
| $I_{CL}$         | Switch peak current <sup>(1) (2)</sup>                          |  | 25°C       | 1.7  | 2.8   | 3.6           | A    |       |
|                  |   |  | Full range | 1.3  | 4     |               |      |       |
| $I_L$            | Output leakage current  | $V_{IN} = 40$ <sup>(4)</sup> , Output = 0 V  | 25°C       | 2  |       |               | mA   |       |
|                  |   |  |            | $V_{IN} = 40$ <sup>(4)</sup> , Output = -1 V | 7.5   | 30            |      |       |
| $I_Q$            | Quiescent current <sup>(4)</sup>                                |  | 25°C       | 5  | 10    | mA            |      |       |
| $I_{STBY}$       | Standby quiescent current                                       | OFF ( $\overline{ON}/OFF = 5\text{ V}$ )   | 25°C       | 50   | 200   | $\mu\text{A}$ |      |       |

**TL2575, TL2575HV**

SLVS638D – JANUARY 2006 – REVISED JUNE 2022

 $I_{LOAD} = 200\text{ mA}$ ,  $V_{IN} = 12\text{ V}$  for 3.3-V, 5-V, and adjustable versions,  $V_{IN} = 25\text{ V}$  for 12-V version,  $V_{IN} = 30\text{ V}$  for 15-V version (unless otherwise noted) (see Figure 7-1)

| PARAMETER | TEST CONDITIONS                                    | $T_J$                                     | TL2575 |     |     | UNIT          |
|-----------|--|---|--------|-----|-----|---------------|
|           |  |   | MIN    | TYP | MAX |               |
| $V_{IH}$  | $\overline{ON}/OFF$ high-level logic input voltage | OFF ( $V_{OUT} = 0\text{ V}$ )            | 25°C   | 2.2 | 1.4 | V             |
|           |  | Full range                                |        | 2.4 |     |               |
| $V_{IL}$  | $\overline{ON}/OFF$ low-level logic input voltage  | ON ( $V_{OUT} = \text{nominal voltage}$ ) | 25°C   | 1.2 | 1   | V             |
|           |  | Full range                                |        |     | 0.8 |               |
| $I_{IH}$  | $\overline{ON}/OFF$ high-level input current       | OFF ( $\overline{ON}/OFF = 5\text{ V}$ )  | 25°C   | 12  | 30  | $\mu\text{A}$ |
| $I_{IL}$  | $\overline{ON}/OFF$ low-level input current        | ON ( $\overline{ON}/OFF = 0\text{ V}$ )   | 25°C   | 0   | 10  | $\mu\text{A}$ |

- (1) In the event of an output short or an overload condition, self-protection features lower the oscillator frequency to  $\approx 18\text{ kHz}$  and the minimum duty cycle from 5% to  $\approx 2\%$ . The resulting output voltage drops to  $\approx 40\%$  of its nominal value, causing the average power dissipated by the IC to lower.
- (2) Output is not connected to diode, inductor, or capacitor. Output is sourcing current.
- (3) FEEDBACK is disconnected from output and connected to 0 V.
- (4) To force the output transistor off, FEEDBACK is disconnected from output and connected to 12 V for the adjustable, 3.3-V, and 5-V versions and to 25 V for the 12-V and 15-V versions.

## 6.6 Electrical Characteristics — TL2575HV

 $I_{LOAD} = 200\text{ mA}$ ,  $V_{IN} = 12\text{ V}$  for 3.3-V, 5-V, and adjustable versions,  $V_{IN} = 25\text{ V}$  for 12-V version,  $V_{IN} = 30\text{ V}$  for 15-V version (unless otherwise noted) (see Figure 7-1)

| PARAMETER                                 | TEST CONDITIONS | $T_J$  | TL2575HV   |       |      | UNIT  |    |
|---|-----------------|--|------------|-------|------|-------|----|
|   |                 |  | MIN        | TYP   | MAX  |       |    |
| $V_{OUT}$ Output voltage                  | TL2575HV-33     | $V_{IN} = 12\text{ V}$ , $I_{LOAD} = 0.2\text{ A}$   | 25°C       | 3.234 | 3.3  | 3.366 | V  |
|   |                 | $4.75\text{ V} \leq V_{IN} \leq 60\text{ V}$ ,<br>$0.2\text{ A} \leq I_{LOAD} \leq 1\text{ A}$                       | 25°C       | 3.168 | 3.3  | 3.450 |    |
|   |                 | Full range   |            | 3.135 |      | 3.482 |    |
|   | TL2575HV-05     | $V_{IN} = 12\text{ V}$ , $I_{LOAD} = 0.2\text{ A}$   | 25°C       | 4.9   | 5    | 5.1   |    |
|   |                 | $8\text{ V} \leq V_{IN} \leq 60\text{ V}$ ,<br>$0.2\text{ A} \leq I_{LOAD} \leq 1\text{ A}$                          | 25°C       | 4.8   | 5    | 5.225 |    |
|   |                 | Full range   |            | 4.75  |      | 5.275 |    |
|   | TL2575HV-12     | $V_{IN} = 25\text{ V}$ , $I_{LOAD} = 0.2\text{ A}$   | 25°C       | 11.76 | 12   | 12.24 |    |
|   |                 | $15\text{ V} \leq V_{IN} \leq 60\text{ V}$ ,<br>$0.2\text{ A} \leq I_{LOAD} \leq 1\text{ A}$                         | 25°C       | 11.52 | 12   | 12.54 |    |
|   |                 | Full range   |            | 11.4  |      | 12.66 |    |
|   | TL2575HV-15     | $V_{IN} = 30\text{ V}$ , $I_{LOAD} = 0.2\text{ A}$   | 25°C       | 14.7  | 15   | 15.3  |    |
|   |                 | $18\text{ V} \leq V_{IN} \leq 60\text{ V}$ ,<br>$0.2\text{ A} \leq I_{LOAD} \leq 1\text{ A}$                         | 25°C       | 14.4  | 15   | 15.68 |    |
|   |                 | Full range   |            | 14.25 | 15   | 15.83 |    |
| Feedback voltage                          | TL2575HV-ADJ    | $V_{IN} = 12\text{ V}$ , $V_{OUT} = 5\text{ V}$ ,<br>$I_{LOAD} = 0.2\text{ A}$                                       | 25°C       | 1.217 | 1.23 | 1.243 | V  |
|   |                 | $8\text{ V} \leq V_{IN} \leq 60\text{ V}$ , $V_{OUT} = 5\text{ V}$ ,<br>$0.2\text{ A} \leq I_{LOAD} \leq 1\text{ A}$ | 25°C       | 1.193 | 1.23 | 1.273 |    |
|   |                 | Full range   |            | 1.180 |      | 1.286 |    |
| $\eta$ Efficiency                         | TL2575HV-33     | $V_{IN} = 12\text{ V}$ , $I_{LOAD} = 1\text{ A}$   | 25°C       | 75%   |      |       |    |
|   | TL2575HV-05     | $V_{IN} = 12\text{ V}$ , $I_{LOAD} = 1\text{ A}$   |            | 77%   |      |       |    |
|   | TL2575HV-12     | $V_{IN} = 15\text{ V}$ , $I_{LOAD} = 1\text{ A}$   |            | 88%   |      |       |    |
|   | TL2575HV-15     | $V_{IN} = 18\text{ V}$ , $I_{LOAD} = 1\text{ A}$   |            | 88%   |      |       |    |
|   | TL2575HV-ADJ    | $V_{IN} = 12\text{ V}$ , $V_{OUT} = 5\text{ V}$ ,<br>$I_{LOAD} = 1\text{ A}$   |            | 77%   |      |       |    |
| $I_{IB}$ Feedback bias current            |                 | $V_{OUT} = 5\text{ V}$ (ADJ version only)  | 25°C       | 50    | 100  | nA    |    |
|   |                 | Full range   |            |       | 500  |       |    |
| $f_o$ Oscillator frequency <sup>(1)</sup> |                 |  | 25°C       | 47    | 52   | kHz   |    |
|   |                 |  | Full range |       | 42   |       | 63 |

$I_{LOAD} = 200\text{ mA}$ ,  $V_{IN} = 12\text{ V}$  for 3.3-V, 5-V, and adjustable versions,  $V_{IN} = 25\text{ V}$  for 12-V version,  $V_{IN} = 30\text{ V}$  for 15-V version (unless otherwise noted) (see [Figure 7-1](#))

| PARAMETER   | TEST CONDITIONS                           | $T_J$      | TL2575HV |     |     | UNIT          |
|---|---|------------|----------|-----|-----|---------------|
|   |   |            | MIN      | TYP | MAX |               |
| $V_{SAT}$ Saturation voltage                                | $I_{OUT} = 1\text{ A}^{(2)}$              | 25°C       | 0.9      | 1.2 | V   |               |
|   |   | Full range |          | 1.4 |     |               |
| Maximum duty cycle <sup>(3)</sup>                           |   | 25°C       | 93%      | 98% |     |               |
| $I_{CL}$ Switch peak current <sup>(1) (2)</sup>             |   | 25°C       | 1.7      | 2.8 | 3.6 | A             |
|   |   | Full range | 1.3      |     | 4   |               |
| $I_L$ Output leakage current                                | $V_{IN} = 60^{(4)}$ , Output = 0 V        | 25°C       |          |     | 2   | mA            |
|   | $V_{IN} = 60^{(4)}$ , Output = -1 V       |            |          | 7.5 | 30  |               |
| $I_Q$ Quiescent current <sup>(4)</sup>                      |   | 25°C       |          | 5   | 10  | mA            |
| $I_{STBY}$ Standby quiescent current                        | OFF ( $\overline{ON}/OFF = 5\text{ V}$ )  | 25°C       |          | 50  | 200 | $\mu\text{A}$ |
| $V_{IH}$ $\overline{ON}/OFF$ high-level logic input voltage | OFF ( $V_{OUT} = 0\text{ V}$ )            | 25°C       | 2.2      | 1.4 | V   |               |
|   |   | Full range | 2.4      |     |     |               |
| $V_{IL}$ $\overline{ON}/OFF$ low-level logic input voltage  | ON ( $V_{OUT} = \text{nominal voltage}$ ) | 25°C       |          | 1.2 | 1   | V             |
|   |   | Full range |          |     | 0.8 |               |
| $I_{IH}$ $\overline{ON}/OFF$ high-level input current       | OFF ( $\overline{ON}/OFF = 5\text{ V}$ )  | 25°C       |          | 12  | 30  | $\mu\text{A}$ |
| $I_{IL}$ $\overline{ON}/OFF$ low-level input current        | ON ( $\overline{ON}/OFF = 0\text{ V}$ )   |            |          | 0   | 10  | $\mu\text{A}$ |

- (1) In the event of an output short or an overload condition, self-protection features lower the oscillator frequency to  $\approx 18\text{ kHz}$  and the minimum duty cycle from 5% to  $\approx 2\%$ . The resulting output voltage drops to  $\approx 40\%$  of its nominal value, causing the average power dissipated by the IC to lower.
- (2) Output is not connected to diode, inductor, or capacitor. Output is sourcing current.
- (3) FEEDBACK is disconnected from output and connected to 0 V.
- (4) To force the output transistor off, FEEDBACK is disconnected from output and connected to 12 V for the adjustable, 3.3-V, and 5-V versions and to 25 V for the 12-V and 15-V versions.

## 6.7 Typical Characteristics

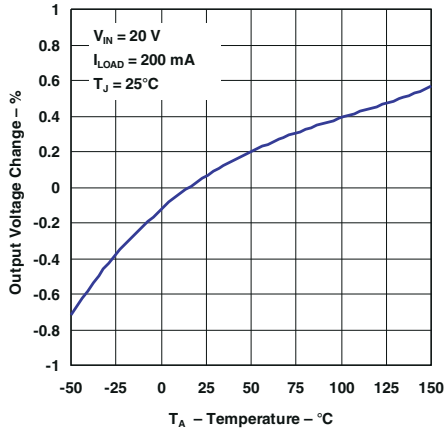


Figure 6-1. Normalized Output Voltage

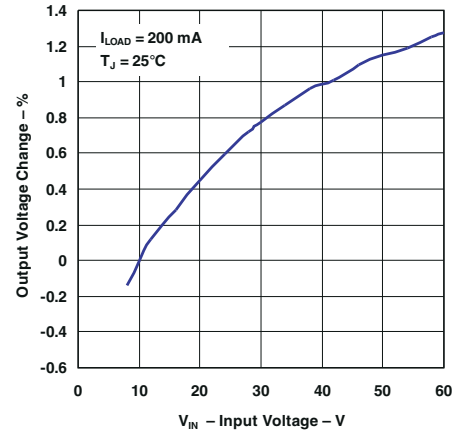


Figure 6-2. Line Regulation

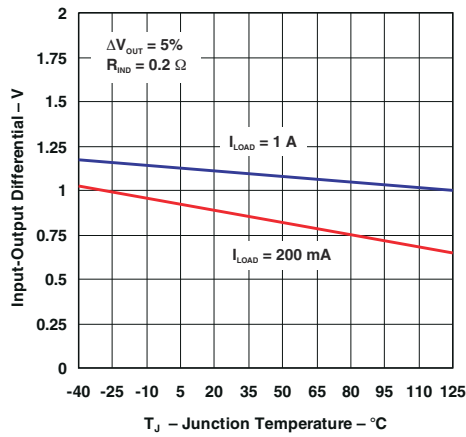


Figure 6-3. Dropout Voltage

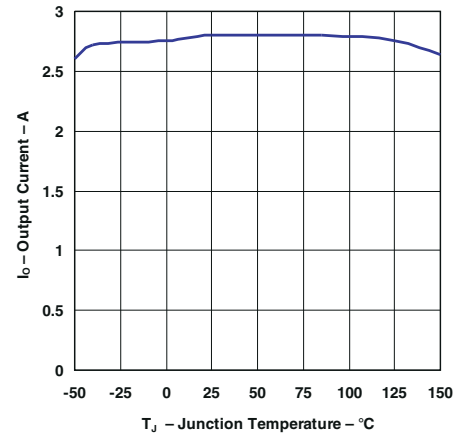


Figure 6-4. Current Limit

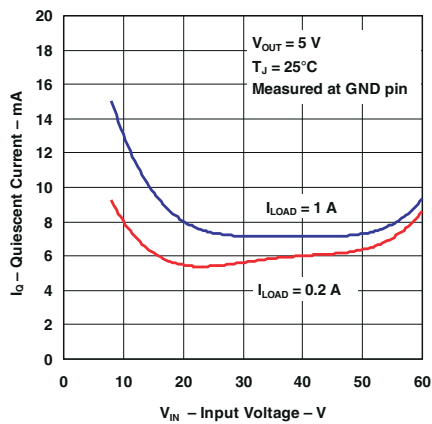


Figure 6-5. Quiescent Current

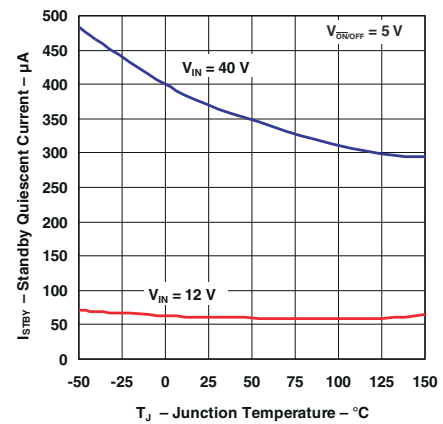
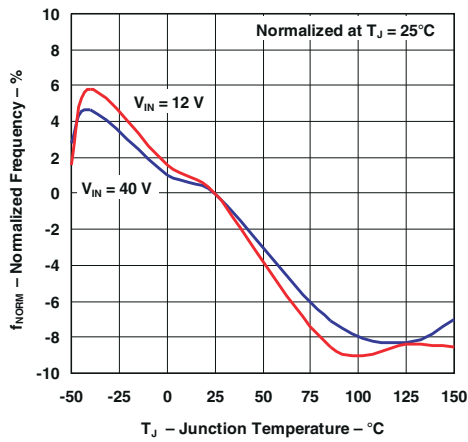
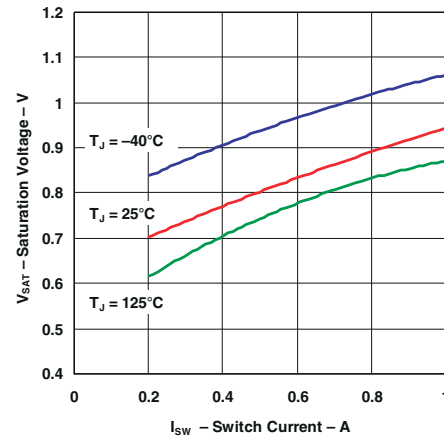


Figure 6-6. Standby Quiescent Current

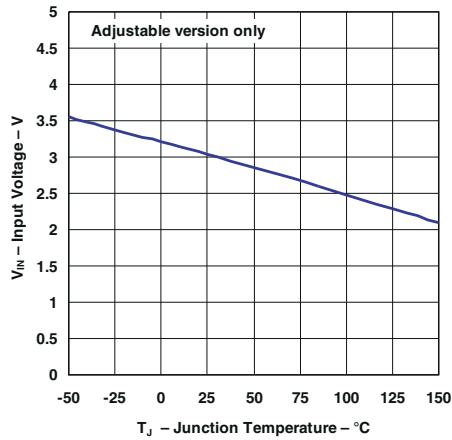




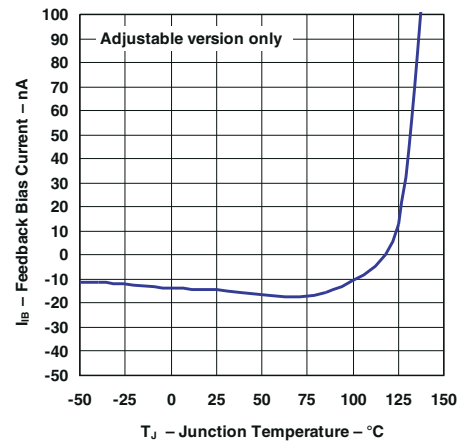
**Figure 6-7. Oscillator Frequency**



**Figure 6-8. Switch Saturation Voltage**



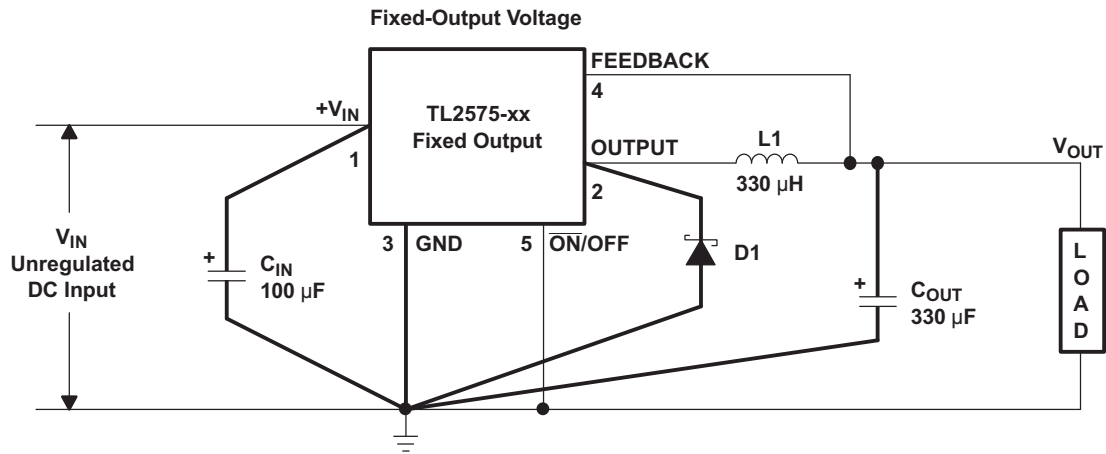
**Figure 6-9. Minimum Operating Voltage**



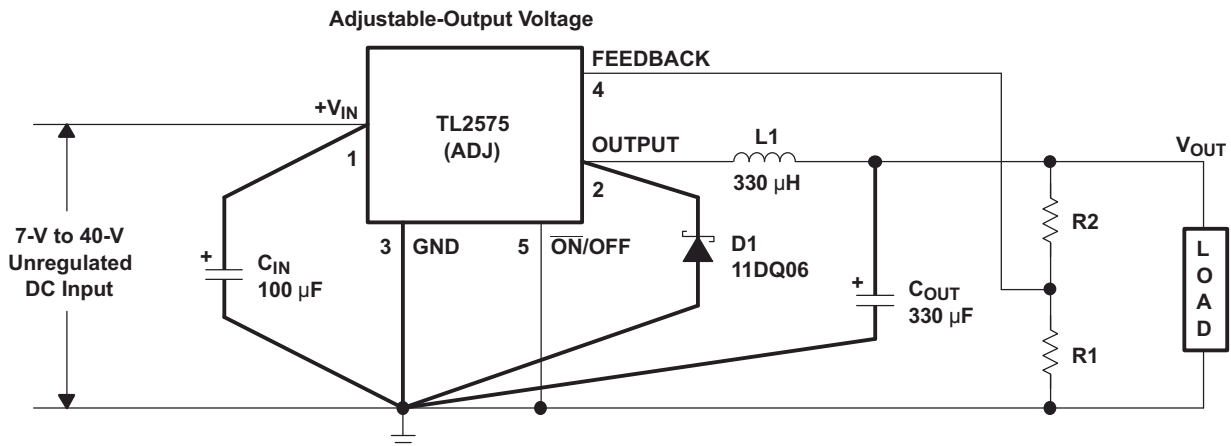
**Figure 6-10. FEEDBACK Current**

## 7 Parameter Measurement Information

### 7.1 Test Circuits



$C_{IN} = 100 \mu\text{F}$ , Aluminum Electrolytic  
 $C_{OUT} = 330 \mu\text{F}$ , Aluminum Electrolytic  
 D1 = Schottky  
 $L1 = 330 \mu\text{H}$  (for 5-V  $V_{IN}$  with 3.3-V  $V_{OUT}$ , use  $100 \mu\text{H}$ )



$$V_{OUT} = V_{REF} (1 + R2 / R1) = 5 \text{ V}$$

$V_{REF} = 1.23 \text{ V}$   
 $R1 = 2 \text{ k}\Omega$   
 $R2 = 6.12 \text{ k}\Omega$

Pin numbers are for the KTT (TO-263) package.

**Figure 7-1. Test Circuits and Layout Guidelines**

## 8 Detailed Description

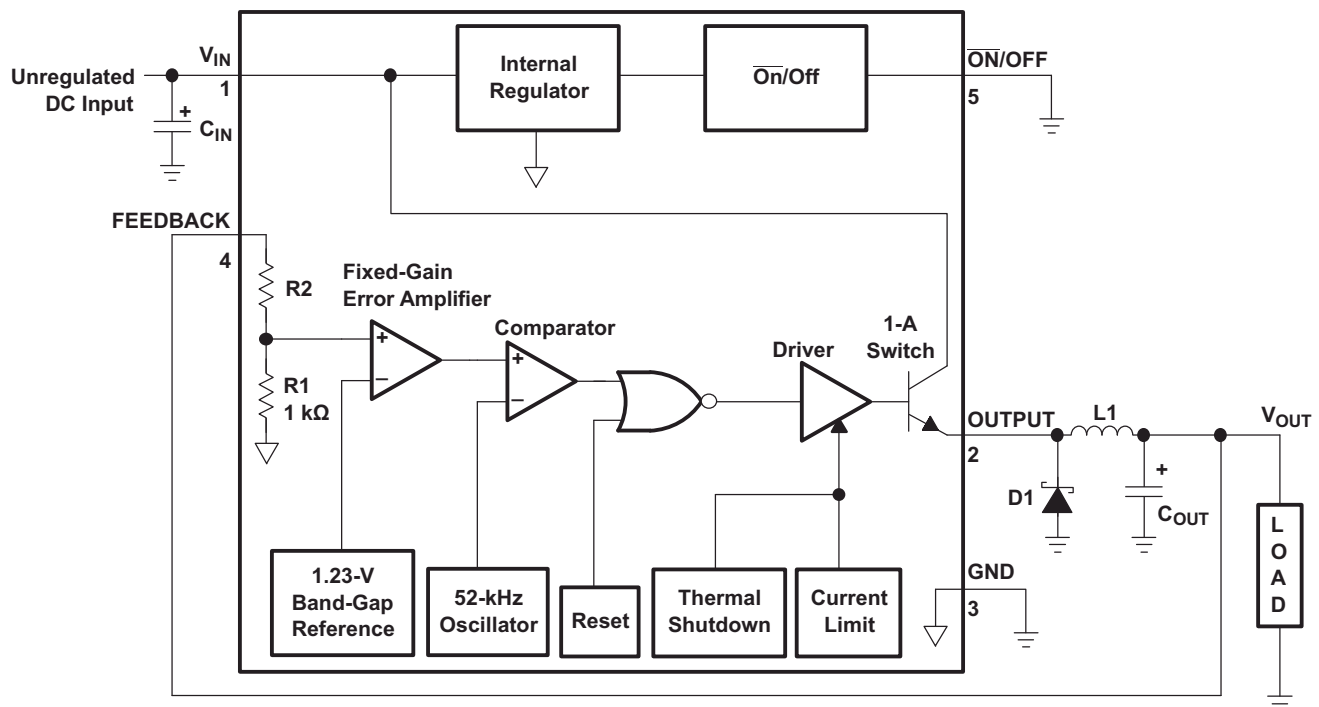
### 8.1 Overview

The TL2575 and TL2575HV devices greatly simplify the design of switching power supplies by conveniently providing all the active functions needed for a step-down (buck) switching regulator in an integrated circuit. Accepting a wide input-voltage range of up to 60 V (TL2575-HV) and available in fixed output voltages of 3.3 V, 5 V, 12 V, 15 V, or an adjustable-output version, the TL2575 and TL2575HV devices have an integrated switch capable of delivering 1 A of load current, with excellent line and load regulation. The device also offers internal frequency compensation, a fixed-frequency oscillator, cycle-by-cycle current limiting, and thermal shutdown. In addition, a manual shutdown is available via an external  $\overline{\text{ON/OFF}}$  pin.

The TL2575 and TL2575HV devices represent superior alternatives to popular three-terminal linear regulators. Due to their high efficiency, the devices significantly reduce the size of the heatsink and, in many cases, no heatsink is required. Optimized for use with standard series of inductors available from several different manufacturers, the TL2575 and TL2575HV greatly simplify the design of switch-mode power supplies by requiring a minimal addition of only four to six external components for operation.

The TL2575 and TL2575HV devices are characterized for operation over the virtual junction temperature range of  $-40^{\circ}\text{C}$  to  $125^{\circ}\text{C}$ .

### 8.2 Functional Block Diagram



3.3 V:  $R2 = 1.7\text{ k}\Omega$   
 5 V:  $R2 = 3.1\text{ k}\Omega$   
 12 V:  $R2 = 8.84\text{ k}\Omega$   
 15 V:  $R2 = 11.3\text{ k}\Omega$   
 ADJ:  $R1 = \text{Open}$ ,  $R2 = 0\ \Omega$

Pin numbers are for the KTT (TO-263) package.

### 8.3 Feature Description

#### 8.3.1 Feedback Connection

For fixed-voltage options, FEEDBACK must be wired to  $V_{\text{OUT}}$ . For the adjustable version, FEEDBACK must be connected between the two programming resistors. Again, both of these resistors should be in close proximity to the regulator, and each should be less than 100 k $\Omega$  to minimize noise pickup.

### 8.3.2 $\overline{\text{ON/OFF}}$ Input

$\overline{\text{ON/OFF}}$  should be grounded or be a low-level TTL voltage (typically  $< 1.6\text{ V}$ ) for normal operation. To shut down the TL2575 or TL2575HV devices and place in standby mode, a high-level TTL or CMOS voltage should be supplied to this pin.  $\overline{\text{ON/OFF}}$  should not be left open and safely can be pulled up to  $V_{\text{IN}}$  with or without a pullup resistor.

## 8.4 Device Functional Modes

### 8.4.1 Standby Mode

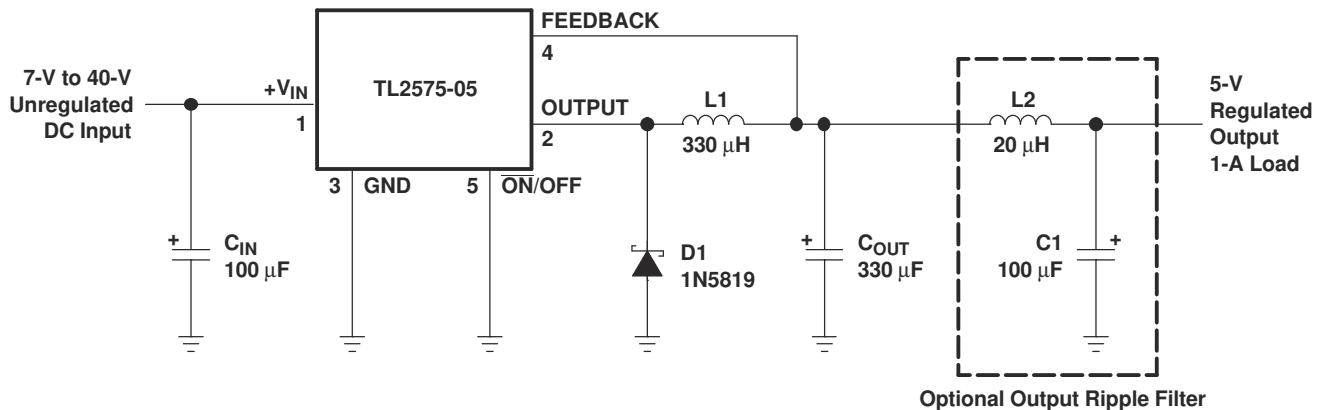
When a high-level TTL or CMOS voltage is applied to the  $\overline{\text{ON/OFF}}$  pin, the device enters standby mode, drawing a typical quiescent current of  $50\ \mu\text{A}$ .

## 9 Application and Implementation

### Note

Information in the following applications sections is not part of the TI component specification, and TI does not warrant its accuracy or completeness. TI's customers are responsible for determining suitability of components for their purposes. Customers should validate and test their design implementation to confirm system functionality.

### 9.1 Typical Application



Pin numbers are for the KTT (TO-263) package.

Figure 9-1. Typical Application Circuit (Fixed Version)

#### 9.1.1 Design Requirements

- Input capacitor for stability
- Output capacitor for loop stability and ripple filtering
- Catch diode to filter noise
- Output inductor depending on the mode of operation

#### 9.1.2 Detailed Design Procedure

##### 9.1.2.1 Input Capacitor ( $C_{IN}$ )

For stability concerns, an input bypass capacitor (electrolytic,  $C_{IN} \geq 47 \mu\text{F}$ ) needs to be located as close as possible to the regulator. For operating temperatures below  $-25^\circ\text{C}$ ,  $C_{IN}$  may need to be larger in value. In addition, since most electrolytic capacitors have decreasing capacitances and increasing ESR as temperature drops, adding a ceramic or solid tantalum capacitor in parallel increases the stability in cold temperatures.

To extend the capacitor operating lifetime, the capacitor RMS ripple current rating should be calculated as shown in Equation 1.

$$I_{C,RMS} > 1.2 (t_{on} / T) I_{LOAD} \quad (1)$$

where

- $t_{on}/T = V_{OUT}/V_{IN}$  {buck regulator}
- $t_{on}/T = |V_{OUT}|/(|V_{OUT}| + V_{IN})$  {buck-boost regulator}

##### 9.1.2.2 Output Capacitor ( $C_{OUT}$ )

For both loop stability and filtering of ripple voltage, an output capacitor is required, again in close proximity to the regulator. For best performance, low-ESR aluminum electrolytics are recommended, although standard aluminum electrolytics may be adequate for some applications as shown in Equation 2.

$$\text{Output ripple voltage} = (\text{ESR of } C_{\text{OUT}}) \times (\text{inductor ripple current}) \quad (2)$$

Output ripple of 50 mV to 150 mV typically can be achieved with capacitor values of 220  $\mu\text{F}$  to 680  $\mu\text{F}$ . Larger  $C_{\text{OUT}}$  can reduce the ripple 20 mV to 50 mV peak to peak. To improve further on output ripple, paralleling of standard electrolytic capacitors may be used. Alternatively, higher-grade capacitors such as high frequency, low inductance, or low ESR can be used.

The following should be taken into account when selecting  $C_{\text{OUT}}$ :

- At cold temperatures, the ESR of the electrolytic capacitors can rise dramatically (typically 3 $\times$  nominal value at  $-25^{\circ}\text{C}$ ). Because solid-tantalum capacitors have significantly better ESR specifications at cold temperatures, they should be used at operating temperature lower than  $-25^{\circ}\text{C}$ . As an alternative, tantalums can also be paralleled to aluminum electrolytics and should contribute 10% to 20% to the total capacitance.
- Low ESR for  $C_{\text{OUT}}$  is desirable for low output ripple. However, the ESR should be greater than 0.05  $\Omega$  to avoid the possibility of regulator instability. Hence, a sole tantalum capacitor used for  $C_{\text{OUT}}$  is most susceptible to this occurrence.
- The ripple current rating of the capacitor, 52 kHz, should be at least 50% higher than the peak-to-peak inductor ripple current.

### 9.1.2.3 Catch Diode

As with other external components, the catch diode should be placed close to the output to minimize unwanted noise. Schottky diodes have fast switching speeds and low forward voltage drops and, thus, offer the best performance, especially for switching regulators with low output voltages ( $V_{\text{OUT}} < 5 \text{ V}$ ). If a high-efficiency, fast-recovery, or ultra-fast-recovery diode is used in place of a Schottky, it should have a soft recovery (versus abrupt turn-off characteristics) to avoid the chance of causing instability and EMI. Standard 50- to 60-Hz diodes, such as the 1N4001 or 1N5400 series, are not suitable.

### 9.1.2.4 Inductor

Proper inductor selection is key to the performance-switching power-supply designs. One important factor to consider is whether the regulator is used in continuous mode (inductor current flows continuously and never drops to zero) or in discontinuous mode (inductor current goes to zero during the normal switching cycle). Each mode has distinctively different operating characteristics and, therefore, can affect the regulator performance and requirements. In many applications, the continuous mode is the preferred mode of operation, since it offers greater output power with lower peak currents, and also can result in lower output ripple voltage. The advantages of continuous mode of operation come at the expense of a larger inductor required to keep inductor current continuous, especially at low output currents and/or high input voltages.

The TL2575 and TL2575HV devices can operate in either continuous or discontinuous mode. With heavy load currents, the inductor current flows continuously and the regulator operates in continuous mode. Under light load, the inductor fully discharges and the regulator is forced into the discontinuous mode of operation. For light loads (approximately 200 mA or less), this discontinuous mode of operation is perfectly acceptable and may be desirable solely to keep the inductor value and size small. Any buck regulator eventually operates in discontinuous mode when the load current is light enough.

The type of inductor chosen can have advantages and disadvantages. If high performance or high quality is a concern, then more-expensive toroid core inductors are the best choice, as the magnetic flux is contained completely within the core, resulting in less EMI and noise in nearby sensitive circuits. Inexpensive bobbin core inductors, however, generate more EMI as the open core does not confine the flux within the core. Multiple switching regulators located in proximity to each other are particularly susceptible to mutual coupling of magnetic fluxes from each other's open cores. In these situations, closed magnetic structures (such as a toroid, pot core, or E-core) are more appropriate.

Regardless of the type and value of inductor used, the inductor never should carry more than its rated current. Doing so may cause the inductor to saturate, in which case the inductance quickly drops, and the inductor looks like a low-value resistor (from the dc resistance of the windings). As a result, switching current rises dramatically (until limited by the current-by-current limiting feature of the TL2575 and TL2575HV devices) and can result in overheating of the inductor and the IC itself.

### Note

Different types of inductors have different saturation characteristics.

#### 9.1.2.5 Output Voltage Ripple and Transients

As with any switching power supply, the output of the TL2575 and TL2575HV devices have a sawtooth ripple voltage at the switching frequency. Typically about 1% of the output voltage, this ripple is due mainly to the inductor sawtooth ripple current and the ESR of the output capacitor (see [Section 9.1.2.2](#)). Furthermore, the output also may contain small voltage spikes at the peaks of the sawtooth waveform. This is due to the fast switching of the output switch and the parasitic inductance of  $C_{OUT}$ . These voltage spikes can be minimized through the use of low-inductance capacitors.

There are several ways to reduce the output ripple voltage: a larger inductor, a larger  $C_{OUT}$ , or both. Another method is to use a small LC filter (20  $\mu$ H and 100  $\mu$ F) at the output. This filter can reduce the output ripple voltage by a factor of 10 (see [Figure 7-1](#)).

#### 9.1.2.6 Grounding

The power and ground connections of the TL2575 and TL2575HV devices must be low impedance to help maintain output stability. For the 5-pin packages, both pin 3 and tab are ground, and either connection can be used as they are both part of the same lead frame. With the 16-pin package, all the ground pins (including signal and power grounds) should be soldered directly to wide PCB copper traces to ensure low-inductance connections and good thermal dissipation.

#### 9.1.2.7 Reverse Current Considerations

There is an internal diode from the output to  $V_{IN}$ . Therefore, the device does not protect against reverse current and care must be taken to limit current in this scenario.

#### 9.1.2.8 Buck Regulator Design Procedure

| PROCEDURE (Fixed Output)   | EXAMPLE (Fixed Output)  |
|--|---|
| <p><b>Known:</b><br/> <math>V_{OUT} = 3.3\text{ V}, 5\text{ V}, 12\text{ V}, \text{ or } 15\text{ V}</math><br/> <math>V_{IN(Max)} = \text{Maximum input voltage}</math><br/> <math>I_{LOAD(Max)} = \text{Maximum load current}</math></p>   | <p><b>Known:</b><br/> <math>V_{OUT} = 5\text{ V}</math><br/> <math>V_{IN(Max)} = 20\text{ V}</math><br/> <math>I_{LOAD(Max)} = 1\text{ A}</math></p>  |
| <p><b>1. Inductor Selection (L1)</b></p> <p><b>A.</b> From <a href="#">Figure 9-2</a> through <a href="#">Figure 9-5</a>, select the appropriate inductor code based on the intersection of <math>V_{IN(Max)}</math> and <math>I_{LOAD(Max)}</math>.</p> <p><b>B.</b> The inductor chosen should be rated for operation at 52-kHz and have a current rating of at least <math>1.15 \times I_{LOAD(Max)}</math> to allow for the ripple current. The actual peak current in L1 (in normal operation) can be calculated as follows:<br/> <math>I_{L1(pk)} = I_{LOAD(Max)} + (V_{IN} - V_{OUT}) \times t_{on} / 2L1</math><br/>           Where <math>t_{on} = V_{OUT} / V_{IN} \times (1 / f_{osc})</math></p> | <p><b>1. Inductor Selection (L1)</b></p> <p><b>A.</b> From <a href="#">Figure 9-3</a> (TL2575-05), the intersection of 20-V line and 1-A line gives an inductor code of L330.</p> <p><b>B.</b> L330 <math>\rightarrow</math> L1 = 330 <math>\mu</math>H<br/>           Choose from:<br/>           34042 (Schott)<br/>           PE-52627 (Pulse Engineering)<br/>           RL1952 (Renco)</p> |
| <p><b>2. Output Capacitor Selection (<math>C_{OUT}</math>)</b></p> <p><b>A.</b> The TL2575 control loop has a two-pole two-zero frequency response. The dominant pole-zero pair is established by <math>C_{OUT}</math> and L1. To meet stability requirements while maintaining an acceptable output ripple voltage (<math>V_{ripple} \neq 0.01 \times V_{OUT}</math>), the recommended range for a standard aluminum electrolytic <math>C_{OUT}</math> is between 100 <math>\mu</math>F and 470 <math>\mu</math>F.</p>  | <p><b>2. Output Capacitor Selection (<math>C_{OUT}</math>)</b></p> <p><b>A.</b> <math>C_{OUT} = 100\text{-}\mu\text{F}</math> to <math>470\text{-}\mu\text{F}</math>, standard aluminum electrolytic</p>  |

| PROCEDURE (Fixed Output)  | EXAMPLE (Fixed Output)  |
|---|---|
| <p><b>B.</b> C<sub>OUT</sub> should have a voltage rating of at least 1.5 × V<sub>OUT</sub>. But if a low output ripple voltage is desired, choose capacitors with a higher-voltage ratings than the minimum required, due to their typically lower ESRs.</p>   | <p><b>B.</b> Although a C<sub>OUT</sub> rated at 8 V is sufficient for V<sub>OUT</sub> = 5 V, a higher-voltage capacitor is chosen for its typically lower ESR (and hence lower output ripple voltage) → Capacitor voltage rating = 20 V.</p>                 |
| <p><b>3. Catch Diode Selection (D1) (see Table 9-1)</b></p> <p><b>A.</b> In normal operation, the catch diode requires a current rating of at least 1.2 × I<sub>LOAD(Max)</sub>. For the most robust design, D1 should be rated to handle a current equal to the TL2575 maximum switch peak current; this represents the worst-case scenario of a continuous short at V<sub>OUT</sub>.</p> <p><b>B.</b> The diode requires a reverse voltage rating of at least 1.25 × V<sub>IN(Max)</sub>.</p> | <p><b>3. Catch Diode Selection (D1) (see Table 9-1)</b></p> <p><b>A.</b> Pick a diode with 3-A rating.</p> <p><b>B.</b> Pick 30-V rated Schottky diode (1N5821, MBR330, 31QD03, or SR303) or 100-V rated Fast Recovery diode (31DF1, MURD310, or HER302).</p> |
| <p><b>4. Input Capacitor (C<sub>IN</sub>)</b></p> <p>An aluminum electrolytic or tantalum capacitor is needed for input bypassing. Locate C<sub>IN</sub> as close to the V<sub>IN</sub> and GND pins as possible.</p>   | <p><b>4. Input Capacitor (C<sub>IN</sub>)</b></p> <p>C<sub>IN</sub> = 100 μF, 25 V, aluminum electrolytic</p>   |

| PROCEDURE (Adjustable Output)  | EXAMPLE (Adjustable Output)  |
|--|--|
| <p><b>Known:</b></p> <p>V<sub>OUT(Nom)</sub><br/> V<sub>IN(Max)</sub> = Maximum input voltage<br/> I<sub>LOAD(Max)</sub> = Maximum load current</p>  | <p><b>Known:</b></p> <p>V<sub>OUT</sub> = 10 V<br/> V<sub>IN(Max)</sub> = 25 V<br/> I<sub>LOAD(Max)</sub> = 1 A</p>  |
| <p><b>1. Programming Output Voltage (Selecting R1 and R2)</b></p> <p>Referring to <a href="#">Figure 6-2</a>, V<sub>OUT</sub> is defined by:</p> $V_{OUT} = V_{REF} \left( 1 + \frac{R2}{R1} \right) \quad \text{where } V_{REF} = 1.23 \text{ V}$ <p>Choose a value for R1 between 1 kΩ and 5 kΩ (use 1% metal-film resistors for best temperature coefficient and stability over time).</p> $R2 = R1 \left( \frac{V_{OUT}}{V_{REF}} - 1 \right)$   | <p><b>1. Programming Output Voltage (Selecting R1 and R2)</b></p> <p>Select R1 = 1 kΩ<br/> R2 = 1 (10 / 1.23 – 1) = 7.13 kΩ<br/> Select R2 = 7.15 kΩ (closest 1% value)</p>  |
| <p><b>2. Inductor Selection (L1)</b></p> <p><b>A.</b> Calculate the "set" volts-second (E × T) across L1:<br/> <math>E \times T = (V_{IN} - V_{OUT}) \times t_{on}</math><br/> <math>E \times T = (V_{IN} - V_{OUT}) \times (V_{OUT} / V_{IN}) \times \{1000 / f_{osc}(\text{in kHz})\} [V \times \mu s]</math></p> <hr/> <p style="text-align: center;"><b>Note</b></p> <p><b>NOTE:</b> Along with I<sub>LOAD</sub>, the "set" volts-second (E × T) constant establishes the minimum energy storage requirement for the inductor.</p> <hr/> <p><b>B.</b> Using <a href="#">Figure 9-6</a>, select the appropriate inductor code based on the intersection of E × T value and I<sub>LOAD(Max)</sub>.</p> <p><b>C.</b> The inductor chosen should be rated for operation at 52-kHz and have a current rating of at least 1.15 × I<sub>LOAD(Max)</sub> to allow for the ripple current. The actual peak current in L1 (in normal operation) can be calculated as follows:<br/> <math>I_{L1(pk)} = I_{LOAD(Max)} + (V_{IN} - V_{OUT}) \times t_{on} / 2L1</math><br/> Where t<sub>on</sub> = V<sub>OUT</sub> / V<sub>IN</sub> × (1 / f<sub>osc</sub>)</p> | <p><b>2. Inductor Selection (L1)</b></p> <p><b>A.</b> Calculate the "set" volts-second (E × T) across L1:<br/> <math>E \times T = (25 - 10) \times (10 / 25) \times (1000 / 52) [V \times \mu s]</math><br/> E × T = 115 V × μs</p> <p><b>B.</b> Using <a href="#">Figure 9-6</a>, the intersection of 115 V · μs and 1 A corresponds to an inductor code of H470.</p> <p><b>C.</b> H470 → L1 = 470 μH<br/> Choose from:<br/> 34048 (Schott)<br/> PE-53118 (Pulse Engineering)<br/> RL1961 (Renco)</p> |
| <p><b>3. Output Capacitor Selection (C<sub>OUT</sub>)</b></p>  | <p><b>3. Output Capacitor Selection (C<sub>OUT</sub>)</b></p>  |



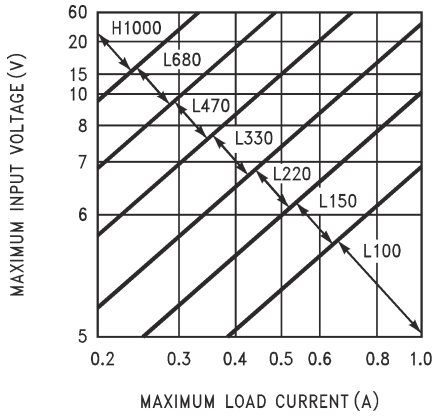
| PROCEDURE (Adjustable Output)   | EXAMPLE (Adjustable Output)  |
|---|--|
| <p><b>A.</b> The TL2575 control loop has a two-pole two-zero frequency response. The dominant pole-zero pair is established by <math>C_{OUT}</math> and <math>L1</math>. To meet stability requirements, <math>C_{OUT}</math> must meet the following requirement:</p> $C_{OUT} \geq 7758 \frac{V_{IN(Max)}}{V_{OUT} \cdot L1(\mu H)} (\mu F)$ <p>However, <math>C_{OUT}</math> may need to be several times larger than the calculated value above in order to achieve an acceptable output ripple voltage of <math>\sim 0.01 \times V_{OUT}</math>.</p> <p><b>B.</b> <math>C_{OUT}</math> should have a voltage rating of at least <math>1.5 \times V_{OUT}</math>. But if a low output ripple voltage is desired, choose capacitors with a higher voltage ratings than the minimum required due to their typically lower ESRs.</p> | <p><b>A.</b> <math>C_{OUT} \geq 7785 \times 25 / (10 \times 470) [\mu F]</math><br/> <math>C_{OUT} \geq 41.4 \mu F</math><br/>           To obtain an acceptable output voltage ripple →<br/> <math>C_{OUT} = 220 \mu F</math> electrolytic</p>                  |
| <p><b>4. Catch Diode Selection (D1) (see Table 9-1)</b></p> <p><b>A.</b> In normal operation, the catch diode requires a current rating of at least <math>1.2 \times I_{LOAD(Max)}</math>. For the most robust design, D1 should be rated for a current equal to the TL2575 maximum switch peak current; this represents the worst-case scenario of a continuous short at <math>V_{OUT}</math>.</p> <p><b>B.</b> The diode requires a reverse voltage rating of at least <math>1.25 \times V_{IN(Max)}</math>.</p>  | <p><b>4. Catch Diode Selection (D1) (see Table 9-1)</b></p> <p><b>A.</b> Pick a diode with a 3-A rating.</p> <p><b>B.</b> Pick a 40-V rated Schottky diode (1N5822, MBR340, 31DQ04, or SR304) or 100-V rated Fast Recovery diode (31DF1, MURD310, or HER302)</p> |
| <p><b>5. Input Capacitor (<math>C_{IN}</math>)</b></p> <p>An aluminum electrolytic or tantalum capacitor is needed for input bypassing. Locate <math>C_{IN}</math> as close to <math>V_{IN}</math> and GND pins as possible.</p>  | <p><b>5. Input Capacitor (<math>C_{IN}</math>)</b></p> <p><math>C_{IN} = 100 \mu F</math>, 35 V, aluminum electrolytic</p>   |

**Table 9-1. Diode Selection Guide**

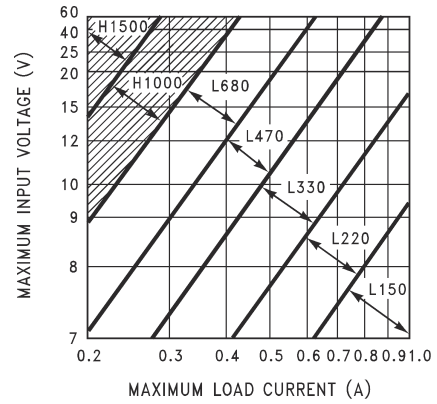
| $V_R$ | SCHOTTKY                             |                                     | FAST RECOVERY  |   |
|-------|--------------------------------------|-------------------------------------|--|---|
|       | 1A                                   | 3A                                  | 1A   | 3A  |
| 20 V  | 1N5817<br>MBR120P<br>SR102           | 1N5820<br>MBR320<br>SR302           | The following diodes<br>are all rated to 100 V:<br>11DF1<br>MUR110<br>HER102 | The following diodes<br>are all rated to 100 V:<br>31DF1<br>MURD310<br>HER302 |
| 30 V  | 1N5818<br>MBR130P<br>11DQ03<br>SR103 | 1N5821<br>MBR330<br>31DQ03<br>SR303 |  |   |
| 40 V  | 1N5819<br>MBR140P<br>11DQ04<br>SR104 | 1N5822<br>MBR340<br>31DQ04<br>SR304 |  |   |
| 50 V  | MBR150<br>11DQ05<br>SR105            | MBR350<br>31DQ05<br>SR305           |  |   |
| 60 V  | MBR160<br>11DQ06<br>SR106            | MBR360<br>31DQ06<br>SR306           |  |   |

**9.1.2.9 Inductor Selection Guide**

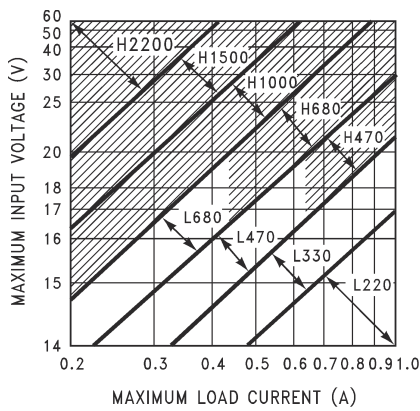
Inductor Value Selection Guide for Continuous-Mode Operation



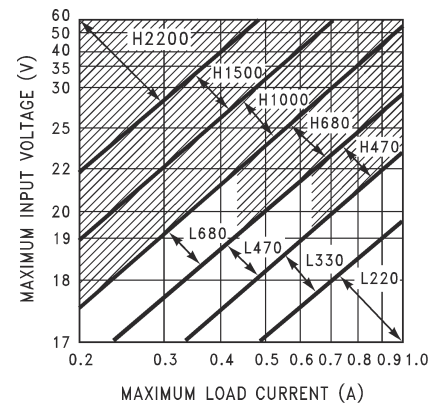
**Figure 9-2. TL2575-33**



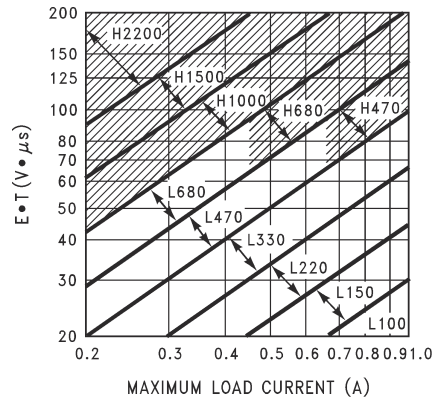
**Figure 9-3. TL2575-50**



**Figure 9-4. TL2575-12**

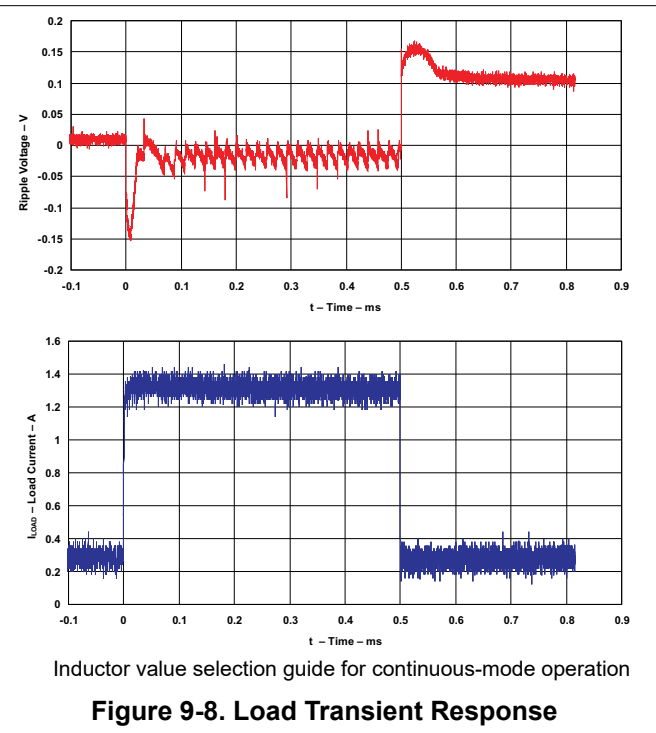
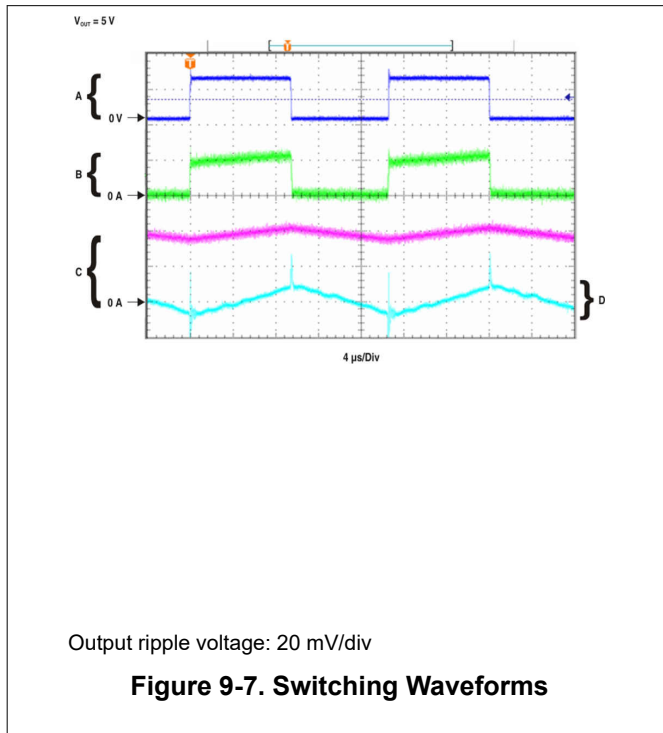


**Figure 9-5. TL2575-15**



**Figure 9-6. TL2575-ADJ**

### 9.1.3 Application Curves



## 10 Power Supply Recommendations

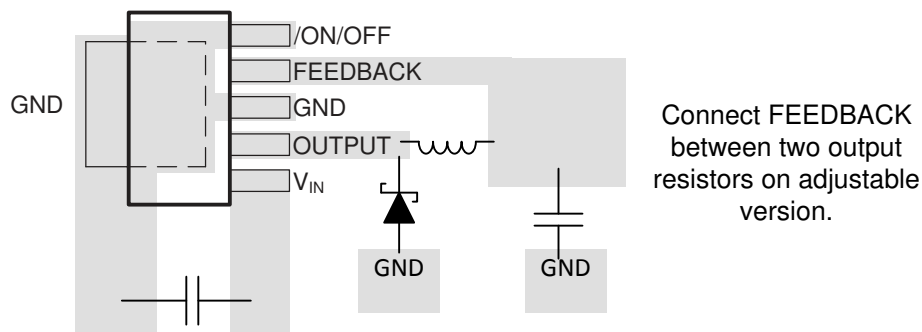
This device operates with a power supply range of 4.75 V to 40 V (60 V for the TL2575-HV). A 100- $\mu$ F decoupling capacitor is recommended on the input to filter noise.

## 11 Layout

### 11.1 Layout Guidelines

With any switching regulator, circuit layout plays an important role in circuit performance. Wiring and parasitic inductances, as well as stray capacitances, are subjected to rapidly switching currents, which can result in unwanted voltage transients. To minimize inductance and ground loops, the length of the leads indicated by heavy lines should be minimized. Optimal results can be achieved by single-point grounding (see [Figure 7-1](#)) or by ground-plane construction. For the same reasons, the two programming resistors used in the adjustable version should be located as close as possible to the regulator to keep the sensitive feedback wiring short.

### 11.2 Layout Example



**Figure 11-1. Layout Diagram (KV Package)**

## 12 Device and Documentation Support

### 12.1 Receiving Notification of Documentation Updates

To receive notification of documentation updates, navigate to the device product folder on [ti.com](http://ti.com). Click on *Subscribe to updates* to register and receive a weekly digest of any product information that has changed. For change details, review the revision history included in any revised document.

### 12.2 Support Resources

TI E2E™ [support forums](#) are an engineer's go-to source for fast, verified answers and design help — straight from the experts. Search existing answers or ask your own question to get the quick design help you need.

Linked content is provided "AS IS" by the respective contributors. They do not constitute TI specifications and do not necessarily reflect TI's views; see TI's [Terms of Use](#).

### 12.3 Trademarks

TI E2E™ is a trademark of Texas Instruments.

All trademarks are the property of their respective owners.

### 12.4 Electrostatic Discharge Caution



This integrated circuit can be damaged by ESD. Texas Instruments recommends that all integrated circuits be handled with appropriate precautions. Failure to observe proper handling and installation procedures can cause damage.

ESD damage can range from subtle performance degradation to complete device failure. Precision integrated circuits may be more susceptible to damage because very small parametric changes could cause the device not to meet its published specifications.

### 12.5 Glossary

[TI Glossary](#) This glossary lists and explains terms, acronyms, and definitions.

## 13 Mechanical, Packaging, and Orderable Information

The following pages include mechanical, packaging, and orderable information. This information is the most current data available for the designated devices. This data is subject to change without notice and revision of this document. For browser-based versions of this data sheet, refer to the left-hand navigation.

## 13.1 Package Option Addendum

### Packaging Information

| Orderable Device  | Status <sup>(1)</sup> | Package Type | Package Drawing | Pins | Package Qty | Eco Plan <sup>(2)</sup> | Lead/Ball Finish <sup>(6)</sup> | MSL Peak Temp <sup>(3)</sup> | Op Temp (°C) | Device Marking <sup>(4) (5)</sup> |
|-------------------|-----------------------|--------------|-----------------|------|-------------|-------------------------|---------------------------------|------------------------------|--------------|-----------------------------------|
| TL2575-05IKTTR    | ACTIVE                | DDPAK/TO-263 | KTT             | 5    | 500         | RoHS & Green            | SN                              | Level-3-245C-168 HR          | -40 to 125   | TL2575-05I                        |
| TL2575-05IKTTR G3 | ACTIVE                | DDPAK/TO-263 | KTT             | 5    | 500         | RoHS & Green            | SN                              | Level-3-245C-168 HR          | -40 to 125   | TL2575-05I                        |
| TL2575-05IKV      | ACTIVE                | TO-220       | KV              | 5    | 50          | RoHS & Green            | SN                              | Level-NC-NC-NC               | -40 to 125   | TL2575-05I                        |
| TL2575-05IN       | ACTIVE                | PDIP         | N               | 16   | 25          | RoHS & Green            | NIPDAU                          | Level-NC-NC-NC               | -40 to 125   | TL2575-05IN                       |
| TL2575-12IKTTR    | ACTIVE                | DDPAK/TO-263 | KTT             | 5    | 500         | RoHS & Green            | SN                              | Level-3-245C-168 HR          | -40 to 125   | TL2575-12I                        |
| TL2575-12IKV      | ACTIVE                | TO-220       | KV              | 5    | 50          | RoHS & Green            | SN                              | Level-NC-NC-NC               | -40 to 125   | TL2575-12I                        |
| TL2575-12IN       | ACTIVE                | PDIP         | N               | 16   | 25          | RoHS & Green            | NIPDAU                          | Level-NC-NC-NC               | -40 to 125   | TL2575-12IN                       |
| TL2575-15IKTTR    | ACTIVE                | DDPAK/TO-263 | KTT             | 5    | 500         | RoHS & Green            | SN                              | Level-3-245C-168 HR          | -40 to 125   | TL2575-15I                        |
| TL2575-15IKV      | ACTIVE                | TO-220       | KV              | 5    | 50          | RoHS & Green            | SN                              | Level-NC-NC-NC               | -40 to 125   | TL2575-15I                        |
| TL2575-15IN       | ACTIVE                | PDIP         | N               | 16   | 25          | RoHS & Green            | NIPDAU                          | Level-NC-NC-NC               | -40 to 125   | TL2575-15IN                       |
| TL2575-33IKTTR    | ACTIVE                | DDPAK/TO-263 | KTT             | 5    | 500         | RoHS & Green            | SN                              | Level-3-245C-168 HR          | -40 to 125   | TL2575-33I                        |
| TL2575-33IKV      | ACTIVE                | TO-220       | KV              | 5    | 500         | RoHS & Green            | SN                              | Level-NC-NC-NC               | -40 to 125   | TL2575-33I                        |
| TL2575-33IN       | ACTIVE                | PDIP         | N               | 16   | 50          | RoHS & Green            | NIPDAU                          | Level-NC-NC-NC               | -40 to 125   | TL2575-33IN                       |
| TL2575-ADJIKTTR   | ACTIVE                | DDPAK/TO-263 | KTT             | 5    | 25          | RoHS & Green            | SN                              | Level-3-245C-168 HR          | -40 to 125   | TL2575ADJI                        |
| TL2575-ADJIKTTRG3 | ACTIVE                | DDPAK/TO-263 | KTT             | 5    | 25          | RoHS & Green            | SN                              | Level-3-245C-168 HR          | -40 to 125   | TL2575ADJI                        |
| TL2575-ADJIKV     | ACTIVE                | TO-220       | KV              | 5    | 500         | RoHS & Green            | SN                              | Level-NC-NC-NC               | -40 to 125   | TL2575ADJI                        |
| TL2575-ADJIN      | ACTIVE                | PDIP         | N               | 16   | 50          | RoHS & Green            | NIPDAU                          | Level-NC-NC-NC               | -40 to 125   | TL2575-ADJIN                      |
| TL2575-ADJINE4    | ACTIVE                | PDIP         | N               | 16   | 25          | RoHS & Green            | NIPDAU                          | Level-NC-NC-NC               | -40 to 125   | TL2575-ADJIN                      |
| TL2575HV-05IKTTR  | ACTIVE                | DDPAK/TO-263 | KTT             | 5    | 500         | RoHS & Green            | SN                              | Level-3-245C-168 HR          | -40 to 125   | 2BHV-05I                          |
| TL2575HV-05IKV    | ACTIVE                | TO-220       | KV              | 5    | 50          | RoHS & Green            | SN                              | Level-NC-NC-NC               | -40 to 125   | TL2575HV-05I                      |
| TL2575HV-05IN     | ACTIVE                | PDIP         | N               | 16   | 25          | RoHS & Green            | NIPDAU                          | Level-NC-NC-NC               | -40 to 125   | TL2575HV-05IN                     |
| TL2575HV-12IKTTR  | ACTIVE                | DDPAK/TO-263 | KTT             | 5    | 500         | RoHS & Green            | SN                              | Level-3-245C-168 HR          | -40 to 125   | 2BHV-12I                          |
| TL2575HV-12IKV    | ACTIVE                | TO-220       | KV              | 5    | 50          | RoHS & Green            | SN                              | Level-NC-NC-NC               | -40 to 125   | TL2575HV-12I                      |
| TL2575HV-12IN     | ACTIVE                | PDIP         | N               | 16   | 25          | RoHS & Green            | NIPDAU                          | Level-NC-NC-NC               | -40 to 125   | TL2575HV-12IN                     |
| TL2575HV-15IKTTR  | ACTIVE                | DDPAK/TO-263 | KTT             | 5    | 500         | RoHS & Green            | SN                              | Level-3-245C-168 HR          | -40 to 125   | 2BHV-15I                          |
| TL2575HV-15IKV    | ACTIVE                | TO-220       | KV              | 5    | 50          | RoHS & Green            | SN                              | Level-NC-NC-NC               | -40 to 125   | TL2575HV-15I                      |

**TL2575, TL2575HV**

SLVS638D – JANUARY 2006 – REVISED JUNE 2022

| Orderable Device  | Status <sup>(1)</sup> | Package Type | Package Drawing | Pins | Package Qty | Eco Plan <sup>(2)</sup> | Lead/Ball Finish <sup>(6)</sup> | MSL Peak Temp <sup>(3)</sup> | Op Temp (°C) | Device Marking <sup>(4) (5)</sup> |
|-------------------|-----------------------|--------------|-----------------|------|-------------|-------------------------|---------------------------------|------------------------------|--------------|-----------------------------------|
| TL2575HV-15IN     | ACTIVE                | PDIP         | N               | 16   | 25          | RoHS & Green            | NIPDAU                          | Level-NC-NC-NC               | -40 to 125   | TL2575HV-15IN                     |
| TL2575HV-33IKT TR | ACTIVE                | DDPAK/TO-263 | KTT             | 5    | 500         | RoHS & Green            | SN                              | Level-3-245C-168 HR          | -40 to 125   | 2BHV-33I                          |
| TL2575HV-33IKV    | ACTIVE                | TO-220       | KV              | 5    | 50          | RoHS & Green            | SN                              | Level-NC-NC-NC               | -40 to 125   | TL2575HV-33I                      |
| TL2575HV-33IN     | ACTIVE                | PDIP         | N               | 16   | 25          | RoHS & Green            | NIPDAU                          | Level-NC-NC-NC               | -40 to 125   | TL2575HV-33IN                     |
| TL2575HV-ADJIKTTR | ACTIVE                | DDPAK/TO-263 | KTT             | 5    | 500         | RoHS & Green            | SN                              | Level-3-245C-168 HR          | -40 to 125   | 2BHV-ADJI                         |
| TL2575HV-ADJIKV   | ACTIVE                | TO-220       | KV              | 5    | 50          | RoHS & Green            | SN                              | Level-NC-NC-NC               | -40 to 125   | TL2575HVADJI                      |
| TL2575HV-ADJIN    | ACTIVE                | PDIP         | N               | 16   | 25          | RoHS & Green            | NIPDAU                          | Level-NC-NC-NC               | -40 to 125   | TL2575HV-ADJIN                    |
| TL2575HV-ADJIKTTR | ACTIVE                | DDPAK/TO-263 | KTT             | 5    | 500         | RoHS-Exempt & Green     | SN                              | Level-3-245C-168 HR          | -40 to 125   | 2BHV-ADJI                         |
| TL2575-ADJIKTTR   | ACTIVE                | DDPAK/TO-263 | KTT             | 5    | 500         | RoHS-Exempt & Green     | SN                              | Level-3-245C-168 HR          | -40 to 125   | TL2575ADJI                        |
| TL2575HV-12IKT TR | ACTIVE                | DDPAK/TO-263 | KTT             | 5    | 500         | RoHS-Exempt & Green     | SN                              | Level-3-245C-168 HR          | -40 to 125   | 2BHV-12I                          |
| TL2575-12IKTTR    | ACTIVE                | DDPAK/TO-263 | KTT             | 5    | 500         | RoHS-Exempt & Green     | SN                              | Level-3-245C-168 HR          | -40 to 125   | TL2575-12I                        |
| TL2575HV-15IKT TR | ACTIVE                | DDPAK/TO-263 | KTT             | 5    | 500         | RoHS-Exempt & Green     | SN                              | Level-3-245C-168 HR          | -40 to 125   | 2BHV-15I                          |
| TL2575-33IKTTR    | ACTIVE                | DDPAK/TO-263 | KTT             | 5    | 500         | RoHS-Exempt & Green     | SN                              | Level-3-245C-168 HR          | -40 to 125   | TL2575-33I                        |
| TL2575HV-05IKT TR | ACTIVE                | DDPAK/TO-263 | KTT             | 5    | 500         | RoHS-Exempt & Green     | SN                              | Level-3-245C-168 HR          | -40 to 125   | 2BHV-05I                          |
| TL2575-05IKTTR    | ACTIVE                | DDPAK/TO-263 | KTT             | 5    | 500         | RoHS-Exempt & Green     | SN                              | Level-3-245C-168 HR          | -40 to 125   | TL2575-05I                        |

(1) The marketing status values are defined as follows:

**ACTIVE:** Product device recommended for new designs.

**LIFEBUY:** TI has announced that the device will be discontinued, and a lifetime-buy period is in effect.

**NRND:** Not recommended for new designs. Device is in production to support existing customers, but TI does not recommend using this part in a new design.

**PRE\_PROD** Unannounced device, not in production, not available for mass market, nor on the web, samples not available.

**PREVIEW:** Device has been announced but is not in production. Samples may or may not be available.

**OBSOLETE:** TI has discontinued the production of the device.

(2) Eco Plan - The planned eco-friendly classification: Pb-Free (RoHS), Pb-Free (RoHS Exempt), or Green (RoHS & no Sb/Br) - please check [www.ti.com/productcontent](http://www.ti.com/productcontent) for the latest availability information and additional product content details.

**TBD:** The Pb-Free/Green conversion plan has not been defined.

**Pb-Free (RoHS):** TI's terms "Lead-Free" or "Pb-Free" mean semiconductor products that are compatible with the current RoHS requirements for all 6 substances, including the requirement that lead not exceed 0.1% by weight in homogeneous materials. Where designed to be soldered at high temperatures, TI Pb-Free products are suitable for use in specified lead-free processes.

**Pb-Free (RoHS Exempt):** This component has a RoHS exemption for either 1) lead-based flip-chip solder bumps used between the die and package, or 2) lead-based die adhesive used between the die and leadframe. The component is otherwise considered Pb-Free (RoHS compatible) as defined above.

**Green (RoHS & no Sb/Br):** TI defines "Green" to mean Pb-Free (RoHS compatible), and free of Bromine (Br) and Antimony (Sb) based flame retardants (Br or Sb do not exceed 0.1% by weight in homogeneous material).

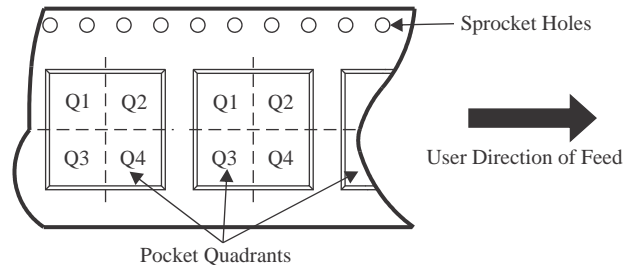
(3) MSL, Peak Temp. -- The Moisture Sensitivity Level rating according to the JEDEC industry standard classifications, and peak solder temperature.

- (4) There may be additional marking, which relates to the logo, the lot trace code information, or the environmental category on the device.
- (5) Multiple Device markings will be inside parentheses. Only one Device Marking contained in parentheses and separated by a "~" will appear on a device. If a line is indented then it is a continuation of the previous line and the two combined represent the entire Device Marking for that device.
- (6) Lead/Ball Finish - Orderable Devices may have multiple material finish options. Finish options are separated by a vertical ruled line. Lead/Ball Finish values may wrap to two lines if the finish value exceeds the maximum column width.

**Important Information and Disclaimer:** The information provided on this page represents TI's knowledge and belief as of the date that it is provided. TI bases its knowledge and belief on information provided by third parties, and makes no representation or warranty as to the accuracy of such information. Efforts are underway to better integrate information from third parties. TI has taken and continues to take reasonable steps to provide representative and accurate information but may not have conducted destructive testing or chemical analysis on incoming materials and chemicals. TI and TI suppliers consider certain information to be proprietary, and thus CAS numbers and other limited information may not be available for release.

In no event shall TI's liability arising out of such information exceed the total purchase price of the TI part(s) at issue in this document sold by TI to Customer on an annual basis.

**TAPE AND REEL INFORMATION**

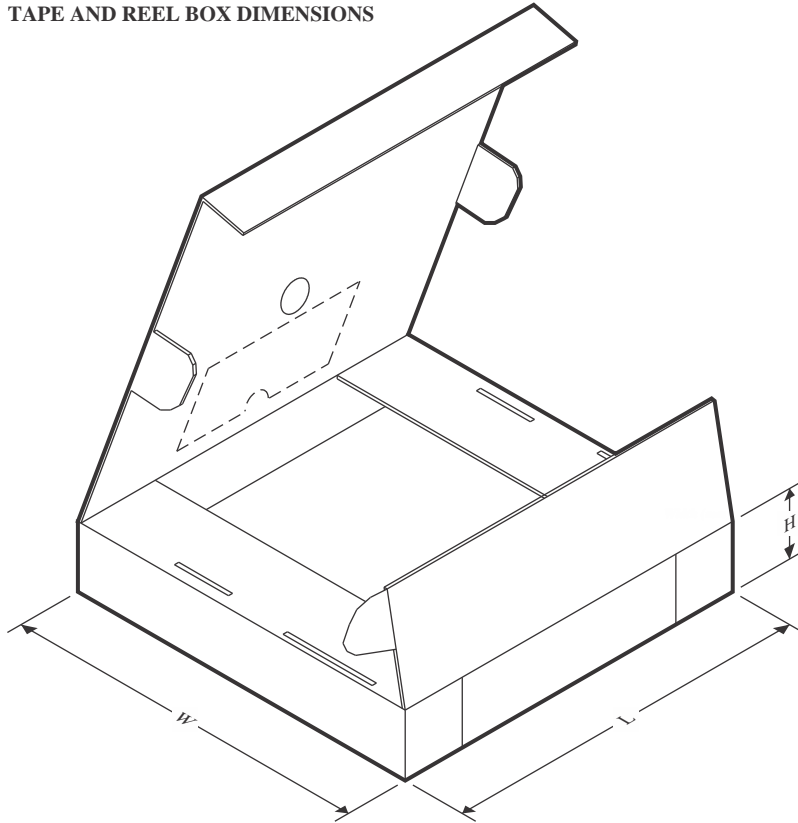
**QUADRANT ASSIGNMENTS FOR PIN 1 ORIENTATION IN TAPE**


\*All dimensions are nominal

| Device          | Package Type     | Package Drawing | Pins | SPQ | Reel Diameter (mm) | Reel Width W1 (mm) | A0 (mm) | B0 (mm) | K0 (mm) | P1 (mm) | W (mm) | Pin1 Quadrant |
|-----------------|------------------|-----------------|------|-----|--------------------|--------------------|---------|---------|---------|---------|--------|---------------|
| TL2575-05IKTTR  | DDPAK/<br>TO-263 | KTT             | 5    | 500 | 330.0              | 24.4               | 10.8    | 16.1    | 4.9     | 16.0    | 24.0   | Q2            |
| TL2575-05IKTTR  | DDPAK/<br>TO-263 | KTT             | 5    | 500 | 330.0              | 24.4               | 10.8    | 16.3    | 5.11    | 16.0    | 24.0   | Q2            |
| TL2575-12IKTTR  | DDPAK/<br>TO-263 | KTT             | 5    | 500 | 330.0              | 24.4               | 10.8    | 16.3    | 5.11    | 16.0    | 24.0   | Q2            |
| TL2575-12IKTTR  | DDPAK/<br>TO-263 | KTT             | 5    | 500 | 330.0              | 24.4               | 10.75   | 14.85   | 5.0     | 16.0    | 24.0   | Q2            |
| TL2575-15IKTTR  | DDPAK/<br>TO-263 | KTT             | 5    | 500 | 330.0              | 24.4               | 10.8    | 16.3    | 5.11    | 16.0    | 24.0   | Q2            |
| TL2575-33IKTTR  | DDPAK/<br>TO-263 | KTT             | 5    | 500 | 330.0              | 24.4               | 10.8    | 16.1    | 4.9     | 16.0    | 24.0   | Q2            |
| TL2575-33IKTTR  | DDPAK/<br>TO-263 | KTT             | 5    | 500 | 330.0              | 24.4               | 10.8    | 16.3    | 5.11    | 16.0    | 24.0   | Q2            |
| TL2575-33IKTTR  | DDPAK/<br>TO-263 | KTT             | 5    | 500 | 330.0              | 24.4               | 10.75   | 14.85   | 5.0     | 16.0    | 24.0   | Q2            |
| TL2575-ADJIKTTR | DDPAK/<br>TO-263 | KTT             | 5    | 500 | 330.0              | 24.4               | 10.8    | 16.1    | 4.9     | 16.0    | 24.0   | Q2            |



| Device            | Package Type | Package Drawing | Pins | SPQ | Reel Diameter (mm) | Reel Width W1 (mm) | A0 (mm) | B0 (mm) | K0 (mm) | P1 (mm) | W (mm) | Pin1 Quadrant |
|-------------------|--------------|-----------------|------|-----|--------------------|--------------------|---------|---------|---------|---------|--------|---------------|
| TL2575-ADJIKTTR   | DDPAK/TO-263 | KTT             | 5    | 500 | 330.0              | 24.4               | 10.8    | 16.3    | 5.11    | 16.0    | 24.0   | Q2            |
| TL2575-ADJIKTTR   | DDPAK/TO-263 | KTT             | 5    | 500 | 330.0              | 24.4               | 10.75   | 14.85   | 5.0     | 16.0    | 24.0   | Q2            |
| TL2575HV-05IKTTR  | DDPAK/TO-263 | KTT             | 5    | 500 | 330.0              | 24.4               | 10.8    | 16.1    | 4.9     | 16.0    | 24.0   | Q2            |
| TL2575HV-05IKTTR  | DDPAK/TO-263 | KTT             | 5    | 500 | 330.0              | 24.4               | 10.8    | 16.3    | 5.11    | 16.0    | 24.0   | Q2            |
| TL2575HV-05IKTTR  | DDPAK/TO-263 | KTT             | 5    | 500 | 330.0              | 24.4               | 10.75   | 14.85   | 5.0     | 16.0    | 24.0   | Q2            |
| TL2575HV-12IKTTR  | DDPAK/TO-263 | KTT             | 5    | 500 | 330.0              | 24.4               | 10.75   | 14.85   | 5.0     | 16.0    | 24.0   | Q2            |
| TL2575HV-12IKTTR  | DDPAK/TO-263 | KTT             | 5    | 500 | 330.0              | 24.4               | 10.8    | 16.3    | 5.11    | 16.0    | 24.0   | Q2            |
| TL2575HV-15IKTTR  | DDPAK/TO-263 | KTT             | 5    | 500 | 330.0              | 24.4               | 10.8    | 16.3    | 5.11    | 16.0    | 24.0   | Q2            |
| TL2575HV-33IKTTR  | DDPAK/TO-263 | KTT             | 5    | 500 | 330.0              | 24.4               | 10.8    | 16.3    | 5.11    | 16.0    | 24.0   | Q2            |
| TL2575HV-33IKTTR  | DDPAK/TO-263 | KTT             | 5    | 500 | 330.0              | 24.4               | 10.8    | 16.1    | 4.9     | 16.0    | 24.0   | Q2            |
| TL2575HV-ADJIKTTR | DDPAK/TO-263 | KTT             | 5    | 500 | 330.0              | 24.4               | 10.75   | 14.85   | 5.0     | 16.0    | 24.0   | Q2            |
| TL2575HV-ADJIKTTR | DDPAK/TO-263 | KTT             | 5    | 500 | 330.0              | 24.4               | 10.8    | 16.3    | 5.11    | 16.0    | 24.0   | Q2            |
| TL2575HV-ADJIKTTR | DDPAK/TO-263 | KTT             | 5    | 500 | 330.0              | 24.4               | 10.8    | 16.1    | 4.9     | 16.0    | 24.0   | Q2            |

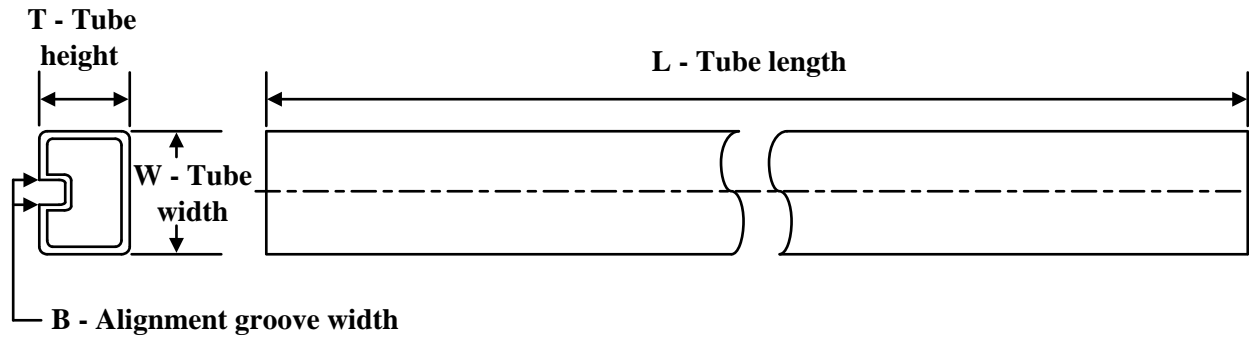
**TAPE AND REEL BOX DIMENSIONS**


\*All dimensions are nominal

| Device           | Package Type | Package Drawing | Pins | SPQ | Length (mm) | Width (mm) | Height (mm) |
|------------------|--------------|-----------------|------|-----|-------------|------------|-------------|
| TL2575-05IKTTR   | DDPAK/TO-263 | KTT             | 5    | 500 | 350.0       | 334.0      | 47.0        |
| TL2575-05IKTTR   | DDPAK/TO-263 | KTT             | 5    | 500 | 340.0       | 340.0      | 38.0        |
| TL2575-12IKTTR   | DDPAK/TO-263 | KTT             | 5    | 500 | 340.0       | 340.0      | 38.0        |
| TL2575-12IKTTR   | DDPAK/TO-263 | KTT             | 5    | 500 | 367.0       | 367.0      | 45.0        |
| TL2575-15IKTTR   | DDPAK/TO-263 | KTT             | 5    | 500 | 340.0       | 340.0      | 38.0        |
| TL2575-33IKTTR   | DDPAK/TO-263 | KTT             | 5    | 500 | 350.0       | 334.0      | 47.0        |
| TL2575-33IKTTR   | DDPAK/TO-263 | KTT             | 5    | 500 | 340.0       | 340.0      | 38.0        |
| TL2575-33IKTTR   | DDPAK/TO-263 | KTT             | 5    | 500 | 367.0       | 367.0      | 45.0        |
| TL2575-ADJIKTTR  | DDPAK/TO-263 | KTT             | 5    | 500 | 350.0       | 334.0      | 47.0        |
| TL2575-ADJIKTTR  | DDPAK/TO-263 | KTT             | 5    | 500 | 340.0       | 340.0      | 38.0        |
| TL2575-ADJIKTTR  | DDPAK/TO-263 | KTT             | 5    | 500 | 367.0       | 367.0      | 45.0        |
| TL2575HV-05IKTTR | DDPAK/TO-263 | KTT             | 5    | 500 | 350.0       | 334.0      | 47.0        |
| TL2575HV-05IKTTR | DDPAK/TO-263 | KTT             | 5    | 500 | 340.0       | 340.0      | 38.0        |
| TL2575HV-05IKTTR | DDPAK/TO-263 | KTT             | 5    | 500 | 367.0       | 367.0      | 45.0        |
| TL2575HV-12IKTTR | DDPAK/TO-263 | KTT             | 5    | 500 | 367.0       | 367.0      | 45.0        |
| TL2575HV-12IKTTR | DDPAK/TO-263 | KTT             | 5    | 500 | 340.0       | 340.0      | 38.0        |
| TL2575HV-15IKTTR | DDPAK/TO-263 | KTT             | 5    | 500 | 340.0       | 340.0      | 38.0        |
| TL2575HV-33IKTTR | DDPAK/TO-263 | KTT             | 5    | 500 | 340.0       | 340.0      | 38.0        |

---

| <b>Device</b>     | <b>Package Type</b> | <b>Package Drawing</b> | <b>Pins</b> | <b>SPQ</b> | <b>Length (mm)</b> | <b>Width (mm)</b> | <b>Height (mm)</b> |
|-------------------|---------------------|------------------------|-------------|------------|--------------------|-------------------|--------------------|
| TL2575HV-33IKTTR  | DDPAK/TO-263        | KTT                    | 5           | 500        | 350.0              | 334.0             | 47.0               |
| TL2575HV-ADJIKTTR | DDPAK/TO-263        | KTT                    | 5           | 500        | 367.0              | 367.0             | 45.0               |
| TL2575HV-ADJIKTTR | DDPAK/TO-263        | KTT                    | 5           | 500        | 340.0              | 340.0             | 38.0               |
| TL2575HV-ADJIKTTR | DDPAK/TO-263        | KTT                    | 5           | 500        | 350.0              | 334.0             | 47.0               |

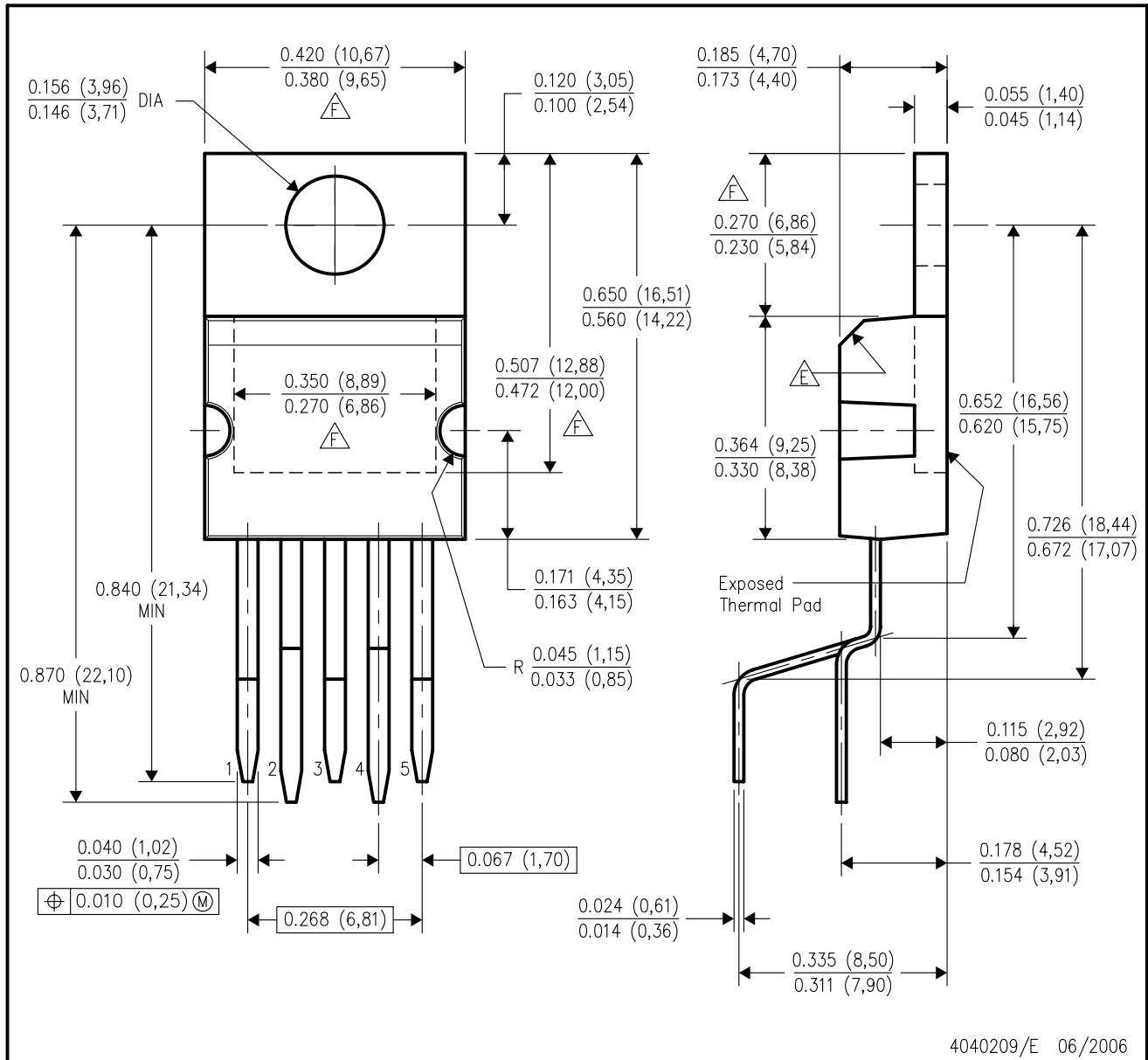
**TUBE**


\*All dimensions are nominal

| Device          | Package Name | Package Type | Pins | SPQ | L (mm) | W (mm) | T (μm) | B (mm) |
|-----------------|--------------|--------------|------|-----|--------|--------|--------|--------|
| TL2575-05IKV    | KV           | TO-220       | 5    | 50  | 534    | 32.7   | 700    | 15.6   |
| TL2575-05IN     | N            | PDIP         | 16   | 25  | 506    | 13.97  | 11230  | 4.32   |
| TL2575-12IKV    | KV           | TO-220       | 5    | 50  | 534    | 32.7   | 700    | 15.6   |
| TL2575-12IN     | N            | PDIP         | 16   | 25  | 506    | 13.97  | 11230  | 4.32   |
| TL2575-15IKV    | KV           | TO-220       | 5    | 50  | 534    | 32.7   | 700    | 15.6   |
| TL2575-15IN     | N            | PDIP         | 16   | 25  | 506    | 13.97  | 11230  | 4.32   |
| TL2575-33IKV    | KV           | TO-220       | 5    | 50  | 534    | 32.7   | 700    | 15.6   |
| TL2575-33IN     | N            | PDIP         | 16   | 25  | 506    | 13.97  | 11230  | 4.32   |
| TL2575-ADJIKV   | KV           | TO-220       | 5    | 50  | 534    | 32.7   | 700    | 15.6   |
| TL2575-ADJIN    | N            | PDIP         | 16   | 25  | 506    | 13.97  | 11230  | 4.32   |
| TL2575HV-05IKV  | KV           | TO-220       | 5    | 50  | 534    | 32.7   | 700    | 15.6   |
| TL2575HV-05IN   | N            | PDIP         | 16   | 25  | 506    | 13.97  | 11230  | 4.32   |
| TL2575HV-12IKV  | KV           | TO-220       | 5    | 50  | 534    | 32.7   | 700    | 15.6   |
| TL2575HV-12IN   | N            | PDIP         | 16   | 25  | 506    | 13.97  | 11230  | 4.32   |
| TL2575HV-15IKV  | KV           | TO-220       | 5    | 50  | 534    | 32.7   | 700    | 15.6   |
| TL2575HV-15IN   | N            | PDIP         | 16   | 25  | 506    | 13.97  | 11230  | 4.32   |
| TL2575HV-33IKV  | KV           | TO-220       | 5    | 50  | 534    | 32.7   | 700    | 15.6   |
| TL2575HV-33IN   | N            | PDIP         | 16   | 25  | 506    | 13.97  | 11230  | 4.32   |
| TL2575HV-ADJIKV | KV           | TO-220       | 5    | 50  | 534    | 32.7   | 700    | 15.6   |
| TL2575HV-ADJIN  | N            | PDIP         | 16   | 25  | 506    | 13.97  | 11230  | 4.32   |

KV (R-PZFM-T5)

PLASTIC FLANGE-MOUNT PACKAGE



- NOTES:
- A. All linear dimensions are in inches (millimeters).
  - B. This drawing is subject to change without notice.
  - C. All lead dimensions apply before solder dip.
  - D. The center lead is in electrical contact with the mounting tab.
- △ The chamfer is optional.
- △ Thermal pad contour optional within these dimensions.

N (R-PDIP-T\*\*)

PLASTIC DUAL-IN-LINE PACKAGE

16 PINS SHOWN

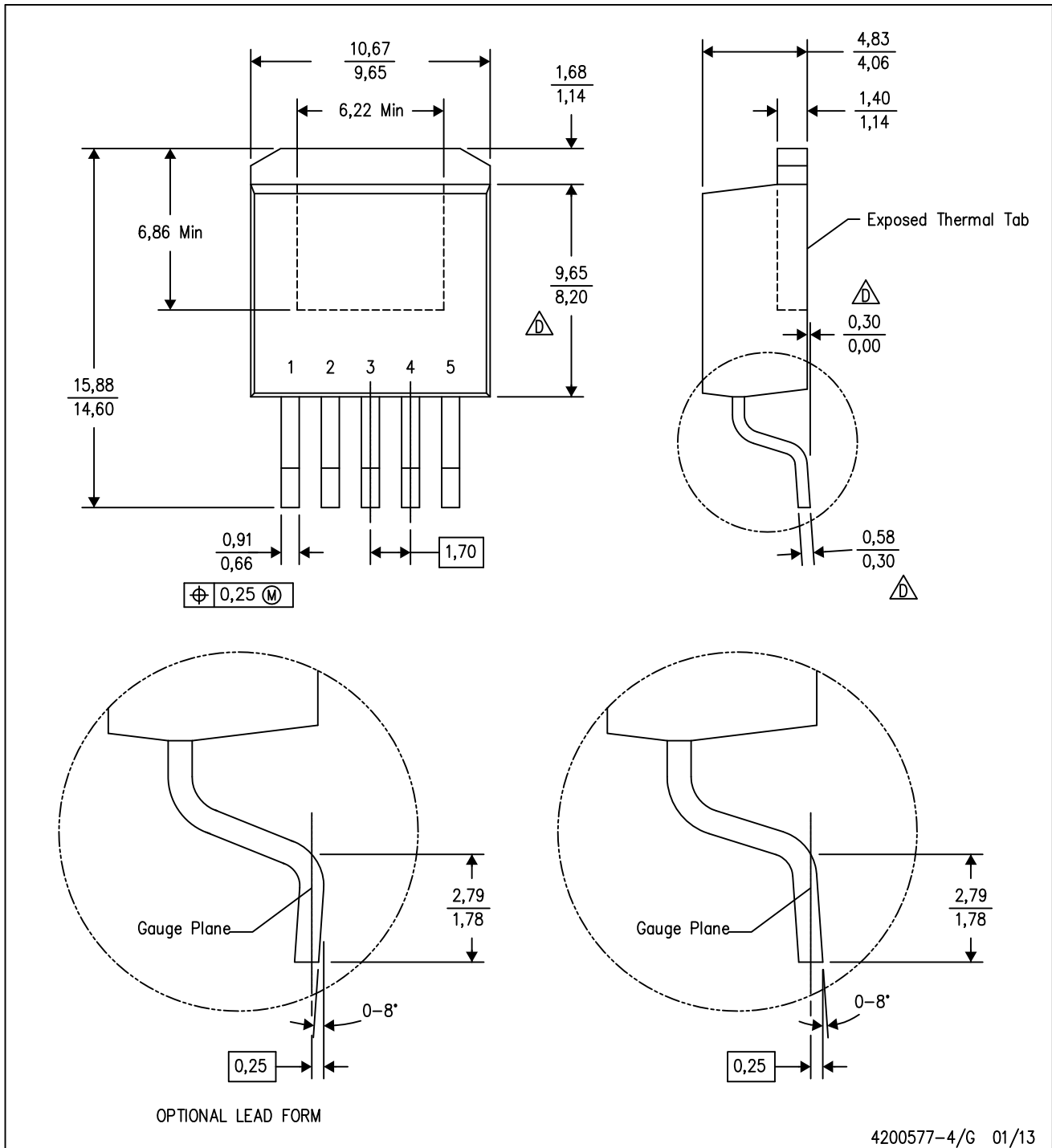


- NOTES:
- A. All linear dimensions are in inches (millimeters).
  - B. This drawing is subject to change without notice.
  - C Falls within JEDEC MS-001, except 18 and 20 pin minimum body length (Dim A).
  - D The 20 pin end lead shoulder width is a vendor option, either half or full width.

4040049/E 12/2002

KTT (R-PSFM-G5)

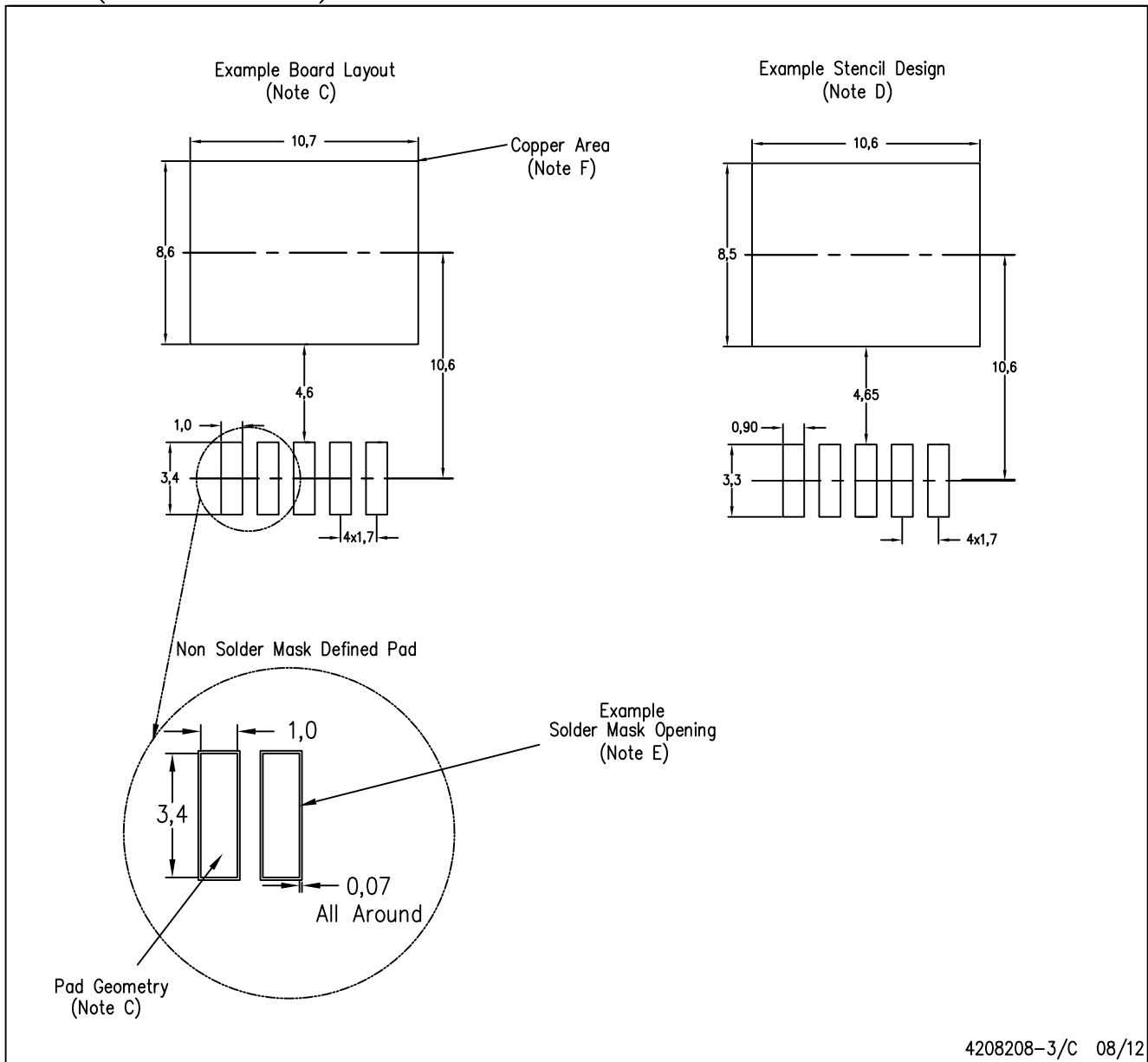
PLASTIC FLANGE-MOUNT PACKAGE



- NOTES:
- A. All linear dimensions are in millimeters.
  - B. This drawing is subject to change without notice.
  - C. Body dimensions do not include mold flash or protrusion. Mold flash or protrusion not to exceed 0.005 (0,13) per side.
- $\triangle$  Falls within JEDEC TO-263 variation BA, except minimum lead thickness, maximum seating height, and minimum body length.

KTT (R-PSFM-G5)

PLASTIC FLANGE-MOUNT PACKAGE

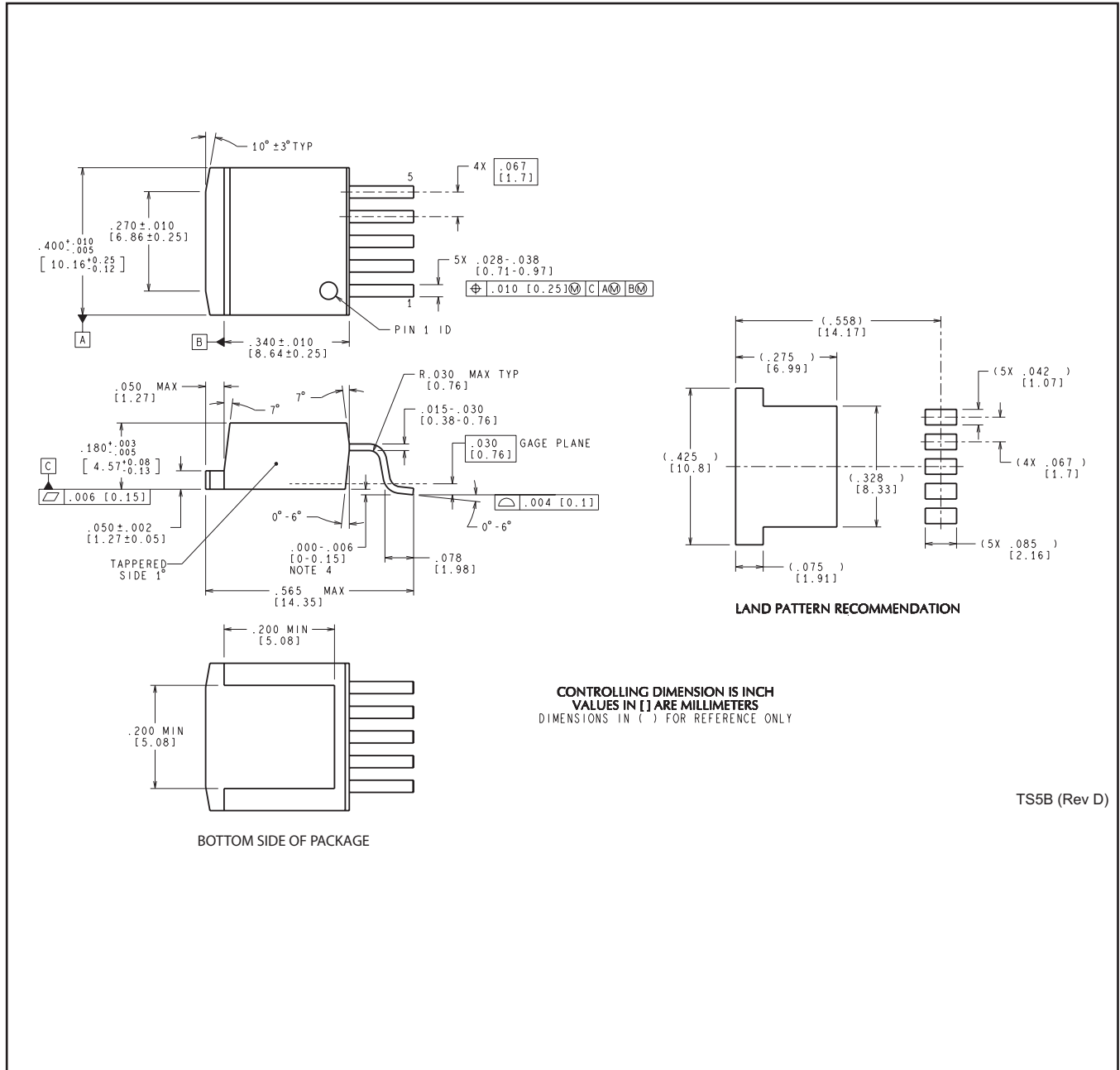


4208208-3/C 08/12

- NOTES:
- All linear dimensions are in millimeters.
  - This drawing is subject to change without notice.
  - Publication IPC-SM-782 is recommended for alternate designs.
  - Laser cutting apertures with trapezoidal walls and also rounding corners will offer better paste release. Customers should contact their board assembly site for stencil design recommendations. Refer to IPC-7525.
  - Customers should contact their board fabrication site for solder mask tolerances between and around signal pads.
  - This package is designed to be soldered to a thermal pad on the board. Refer to the Product Datasheet for specific thermal information, via requirements, and recommended thermal pad size. For thermal pad sizes larger than shown a solder mask defined pad is recommended in order to maintain the solderable pad geometry while increasing copper area.



KTT0005B



CONTROLLING DIMENSION IS INCH  
 VALUES IN [ ] ARE MILLIMETERS  
 DIMENSIONS IN ( ) FOR REFERENCE ONLY

TS5B (Rev D)

## IMPORTANT NOTICE AND DISCLAIMER

TI PROVIDES TECHNICAL AND RELIABILITY DATA (INCLUDING DATA SHEETS), DESIGN RESOURCES (INCLUDING REFERENCE DESIGNS), APPLICATION OR OTHER DESIGN ADVICE, WEB TOOLS, SAFETY INFORMATION, AND OTHER RESOURCES "AS IS" AND WITH ALL FAULTS, AND DISCLAIMS ALL WARRANTIES, EXPRESS AND IMPLIED, INCLUDING WITHOUT LIMITATION ANY IMPLIED WARRANTIES OF MERCHANTABILITY, FITNESS FOR A PARTICULAR PURPOSE OR NON-INFRINGEMENT OF THIRD PARTY INTELLECTUAL PROPERTY RIGHTS.

These resources are intended for skilled developers designing with TI products. You are solely responsible for (1) selecting the appropriate TI products for your application, (2) designing, validating and testing your application, and (3) ensuring your application meets applicable standards, and any other safety, security, regulatory or other requirements.

These resources are subject to change without notice. TI grants you permission to use these resources only for development of an application that uses the TI products described in the resource. Other reproduction and display of these resources is prohibited. No license is granted to any other TI intellectual property right or to any third party intellectual property right. TI disclaims responsibility for, and you will fully indemnify TI and its representatives against, any claims, damages, costs, losses, and liabilities arising out of your use of these resources.

TI's products are provided subject to [TI's Terms of Sale](#) or other applicable terms available either on [ti.com](http://ti.com) or provided in conjunction with such TI products. TI's provision of these resources does not expand or otherwise alter TI's applicable warranties or warranty disclaimers for TI products.

TI objects to and rejects any additional or different terms you may have proposed.

Mailing Address: Texas Instruments, Post Office Box 655303, Dallas, Texas 75265  
Copyright © 2022, Texas Instruments Incorporated