

# Interface converter - PSM-EG-RS232/RS422-P/4K



2761266

<https://www.phoenixcontact.com/us/products/2761266>

Please be informed that the data shown in this PDF document is generated from our Online Catalog. Please find the complete data in the user documentation. Our General Terms of Use for Downloads are valid.



Interface converter, for converting RS-232 (V.24) to RS-422 (V.11), with electrical isolation, 4 channels, rail-mountable

## Your advantages

- RS-422 4-wire point-to-point operation
- Transmission speed of up to 64 kbps
- High-quality 3-way isolation between power supply, RS-232, and RS-422 for safe electrical isolation of potentials with 2.5 kV
- Integrated surge protection with transient discharge to the DIN rail
- As an alternative, data cables can be connected via D-SUB plugs or plug-in screw terminal blocks

## Commercial Data

Item number	2761266
Packing unit	1 pc
Minimum order quantity	1 pc
Note	Made to Order (non-returnable)
Sales Key	C19
Product Key	DNC112
Catalog Page	Page 425 (C-6-2019)
GTIN	4017918064631
Weight per Piece (including packing)	291.3 g
Weight per Piece (excluding packing)	250.08 g
Customs tariff number	85176200
Country of origin	DE

## Technical Data

### Product properties

Product type	Interface converter
MTBF	1045 Years (Telcordia standard, 25°C temperature, 21% operating cycle (5 days a week, 8 hours a day))
	223 Years (Telcordia standard, 40°C temperature, 34.25% operating cycle (5 days a week, 12 hours a day))

### Electrical properties

Electrical isolation	VCC // V.24 (RS-232) // RS-422
Maximum power dissipation for nominal condition	3.12 W
Test voltage data interface/power supply	2.5 kV
Test voltage data interface/power supply	2.5 kV AC
Test voltage data interfaces	2.5 kV AC

### Supply

Supply voltage range	19.2 V DC ... 28.8 V DC
Typical current consumption	130 mA (24 V DC)

### Connection data

#### Supply

Tightening torque	0.56 Nm ... 0.79 Nm
-------------------	---------------------

### Interfaces

Bit distortion	≤ 5 %
Bit delay	≤ 3 μs
Signal	Modbus
Transmission channels	4 (2/2), RxD, TxD, RTS, CTS; full duplex

Data: V.24 (RS-232) interface in acc. with ITU-T V.28, EIA/TIA-232, DIN 66259-1

Serial transmission speed	64 kbps
Connection method	D-SUB 9 plug
	Pluggable screw connection
Transmission length	15 m (twisted pair)
Conductor cross section flexible max.	2.5 mm <sup>2</sup>
Conductor cross section flexible min.	0.2 mm <sup>2</sup>
Conductor cross section AWG max.	13
Conductor cross section AWG min.	24

Data: RS-422 interface in acc. with ITU-T V.11, EIA/TIA-422, DIN 66348-1

Serial transmission speed	64 kbps
Connection method	D-SUB-15 male connector
	Pluggable screw connection
Transmission length	1200 m (twisted pair)

# Interface converter - PSM-EG-RS232/RS422-P/4K



2761266

<https://www.phoenixcontact.com/us/products/2761266>

Termination resistor	510 $\Omega$
	150 $\Omega$
	510 $\Omega$ (Can be connected)
Conductor cross section flexible max.	2.5 mm <sup>2</sup>
Conductor cross section flexible min.	0.2 mm <sup>2</sup>
Conductor cross section AWG max.	13
Conductor cross section AWG min.	24

## Dimensions

Width	45 mm
Height	75 mm
Depth	110 mm

## Material specifications

Material	ABS
----------	-----

## Environmental and real-life conditions

### Ambient conditions

Ambient temperature (operation)	0 °C ... 50 °C
---------------------------------	----------------

## Approval data

### EAC

Identification	EAC
----------------	-----

### UL, USA / Canada

Identification	508 Recognized
----------------	----------------

## EMC data

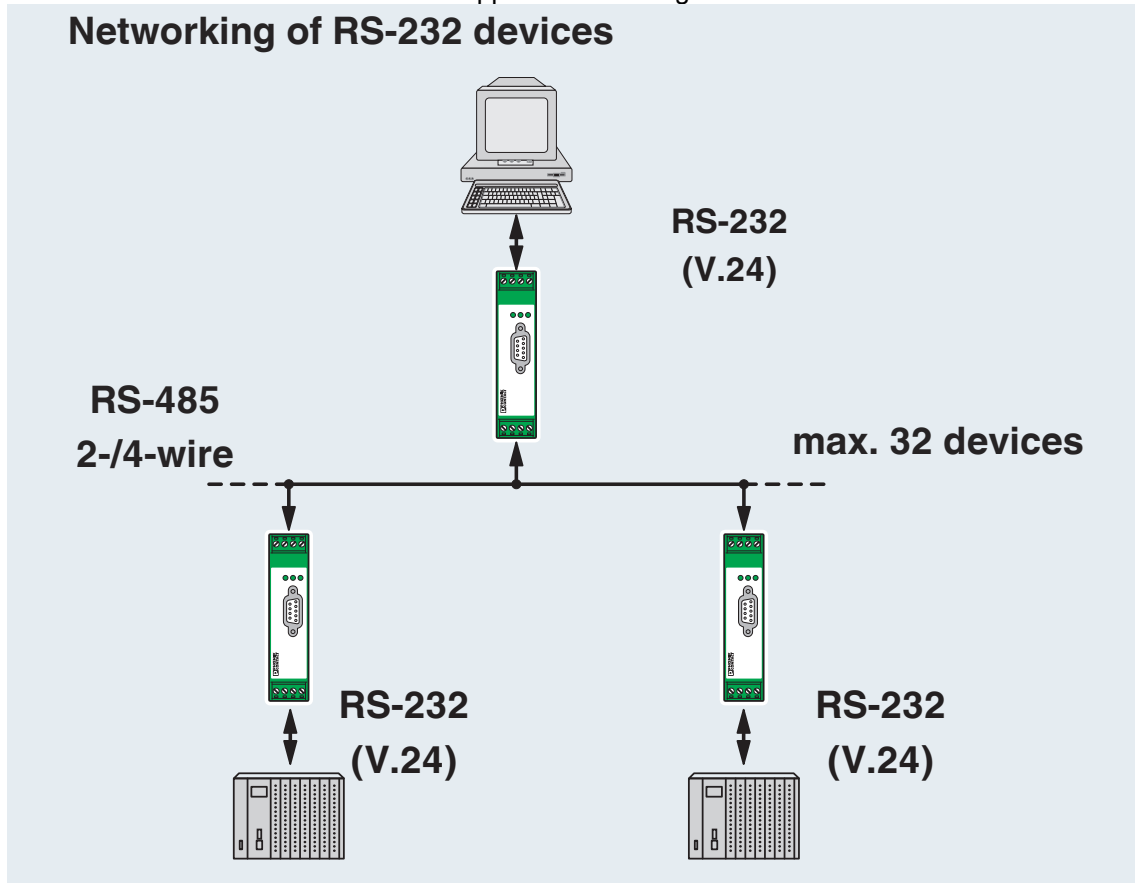
Electromagnetic compatibility	Conformance with EMC Directive 2014/30/EU
Noise emission	EN 50 081-1
Noise immunity	EN 50 082-2

## Mounting

Mounting type	DIN rail mounting
---------------	-------------------

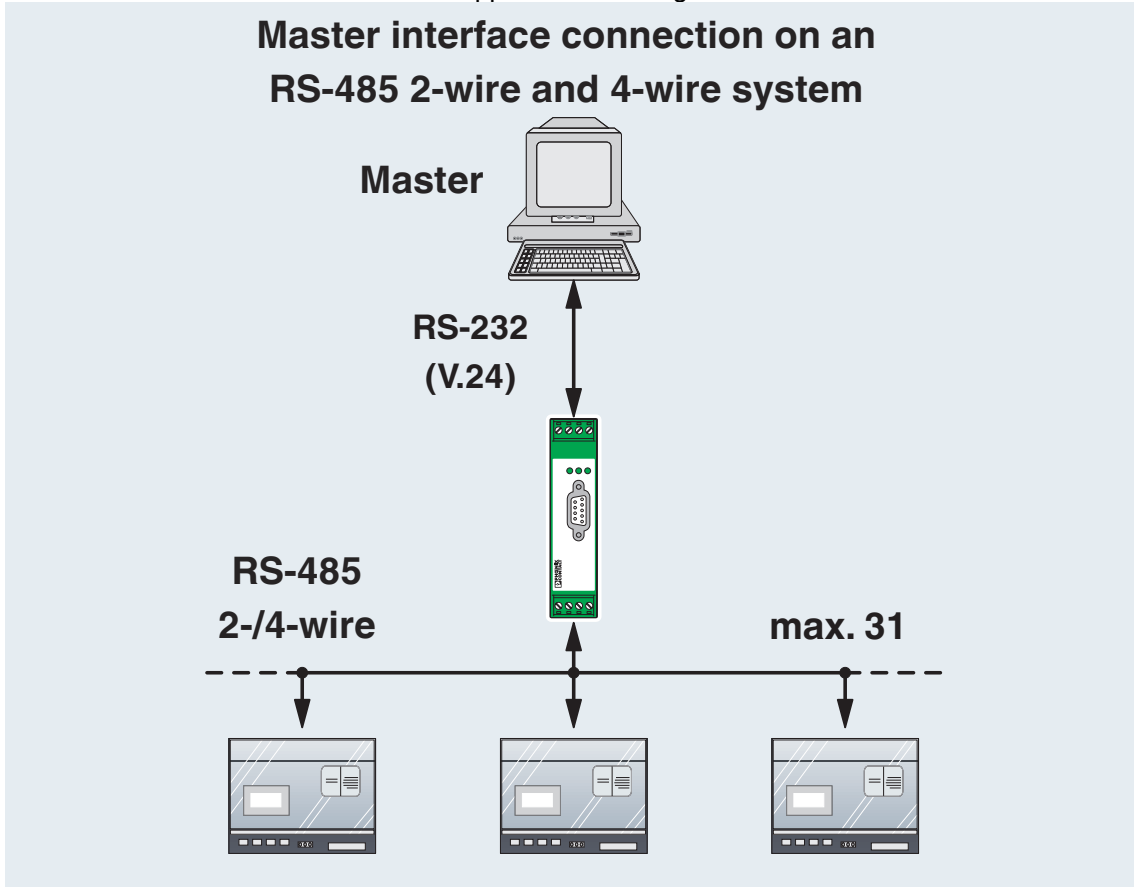
## Drawings

Application drawing

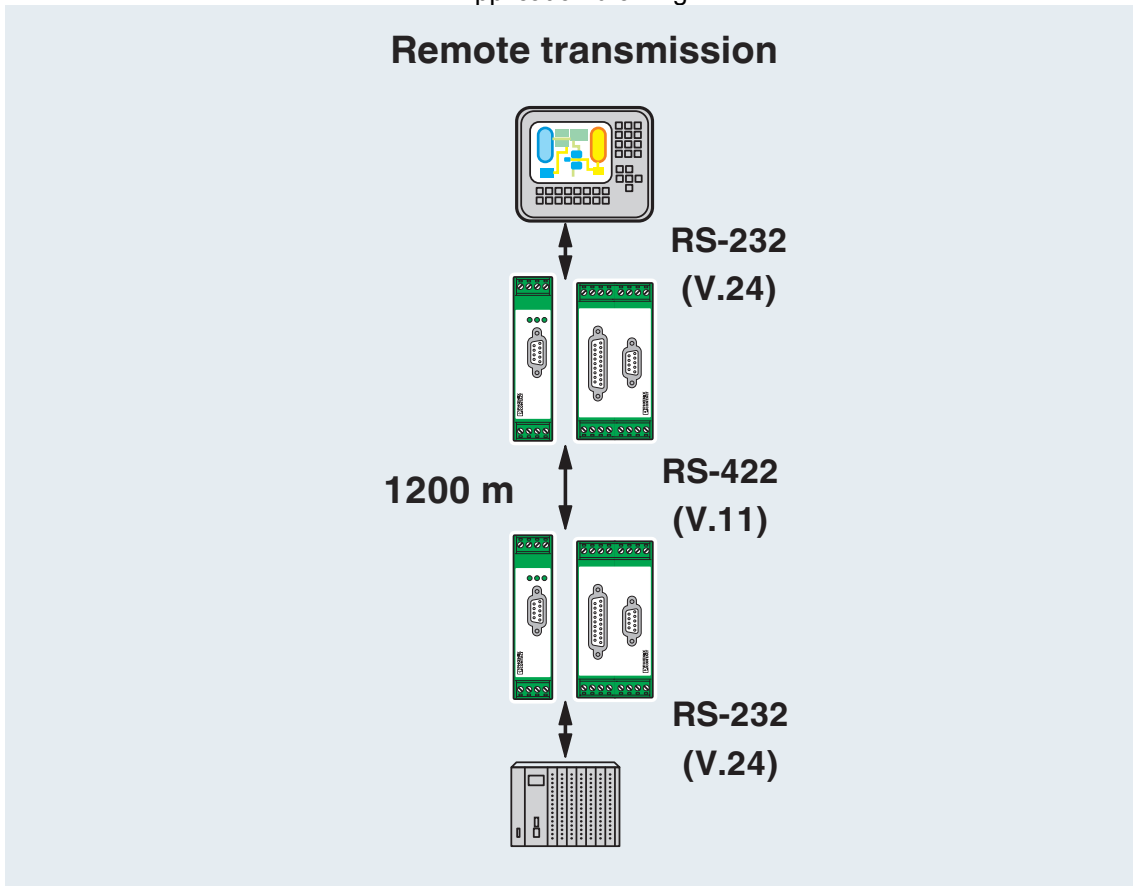


## Application drawing

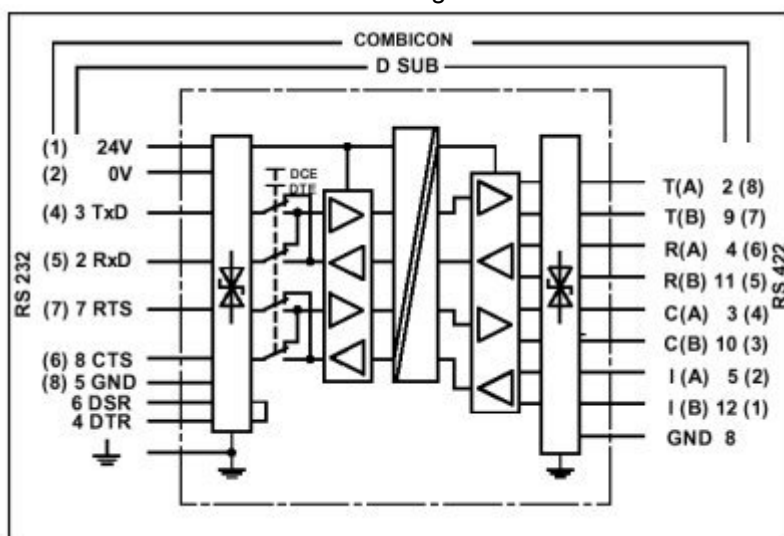
### Master interface connection on an RS-485 2-wire and 4-wire system



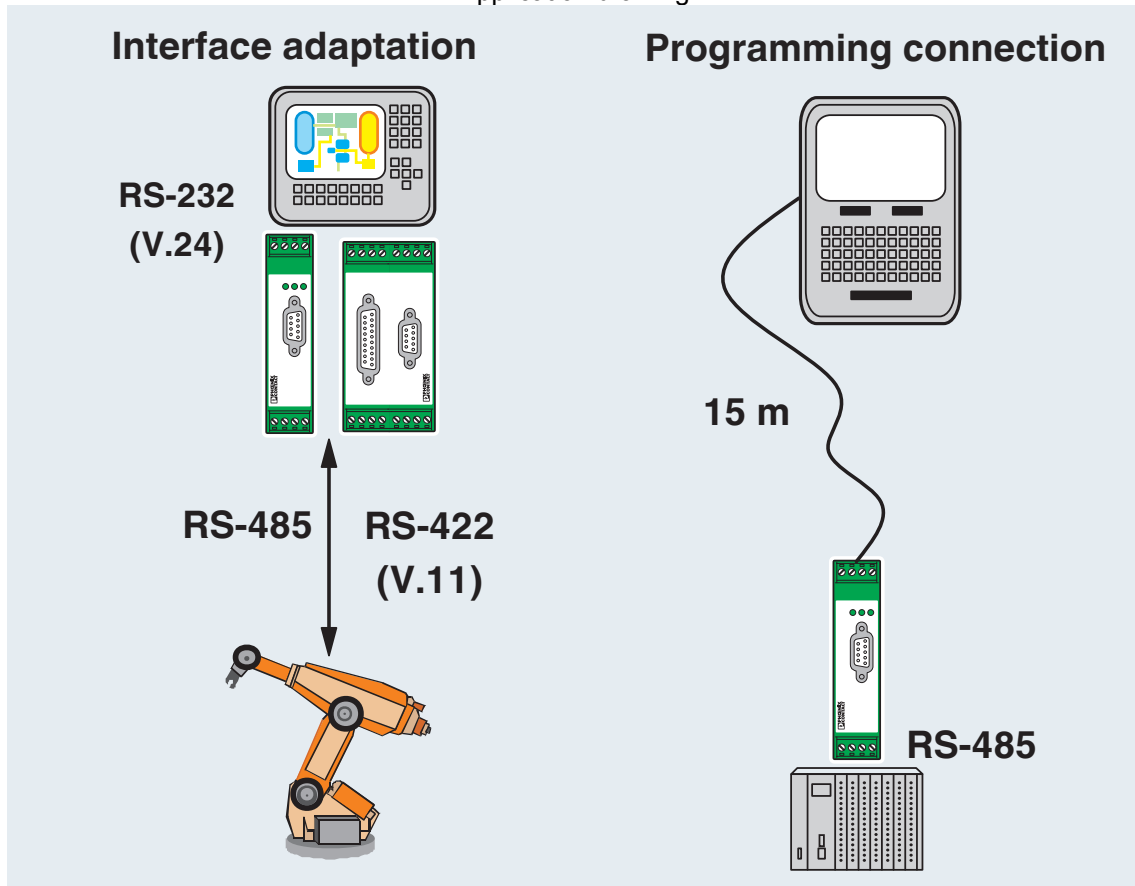
## Application drawing



## Circuit diagram



## Application drawing



# Interface converter - PSM-EG-RS232/RS422-P/4K



2761266

<https://www.phoenixcontact.com/us/products/2761266>

## Classifications

### ECLASS

ECLASS-9.0	19179290
ECLASS-10.0.1	19179290

### ETIM

ETIM 7.0	EC000310
----------	----------

### UNSPSC

UNSPSC 21.0	43222604
-------------	----------



# Interface converter - PSM-EG-RS232/RS422-P/4K



2761266

<https://www.phoenixcontact.com/us/products/2761266>

## Environmental Product Compliance

China RoHS	Environmentally Friendly Use Period = 50 years For information on hazardous substances, refer to the manufacturer's declaration available under "Downloads"
------------	--

# Interface converter - PSM-EG-RS232/RS422-P/4K



2761266

<https://www.phoenixcontact.com/us/products/2761266>

## Accessories

### Data cable

Data cable - PSM-KA9SUB9/BB/2METER - 2799474

<https://www.phoenixcontact.com/us/products/2799474>

RS-232 cable, 9-pos. D-SUB socket on 9-pos. D-SUB socket, 9-wire, 1:1



---

### Shield connection clamp

Shield connection clamp - ME-SAS - 2853899

<https://www.phoenixcontact.com/us/products/2853899>

Shield connection clamp for terminal points starting from 2.5 mm<sup>2</sup>



# Interface converter - PSM-EG-RS232/RS422-P/4K



2761266

<https://www.phoenixcontact.com/us/products/2761266>

## Screwdriver

Screwdriver - SZF 1-0,6X3,5 - 1204517

<https://www.phoenixcontact.com/us/products/1204517>



Actuation tool, for ST terminal blocks, also suitable for use as a bladed screwdriver, size: 0.6 x 3.5 x 100 mm, 2-component grip, with non-slip grip

---

## D-SUB bus connector

D-SUB bus connector - SUBCON 9/M-SH - 2761509

<https://www.phoenixcontact.com/us/products/2761509>



D-SUB connector, 9-pos., male connector, one 35° cable entry, universal type for all systems, pin assignment: 1, 2, 3, 4, 5, 6, 7, 8, 9 to screw connection terminal block

# Interface converter - PSM-EG-RS232/RS422-P/4K

2761266

<https://www.phoenixcontact.com/us/products/2761266>



## Interface converter

Interface converter - PSM-ME-RS232/RS485-P - 2744416

<https://www.phoenixcontact.com/us/products/2744416>



Interface converter, for converting RS-232 (V.24) to RS-422 (V.11) and RS-485, with electrical isolation, 2 channels, rail-mountable

---

Phoenix Contact 2022 © - all rights reserved

<https://www.phoenixcontact.com>

Phoenix Contact USA  
586 Fulling Mill Road  
Middletown, PA 17057, United States  
(+717) 944-1300  
[info@phoenixcon.com](mailto:info@phoenixcon.com)