

## PI3DBS12212A

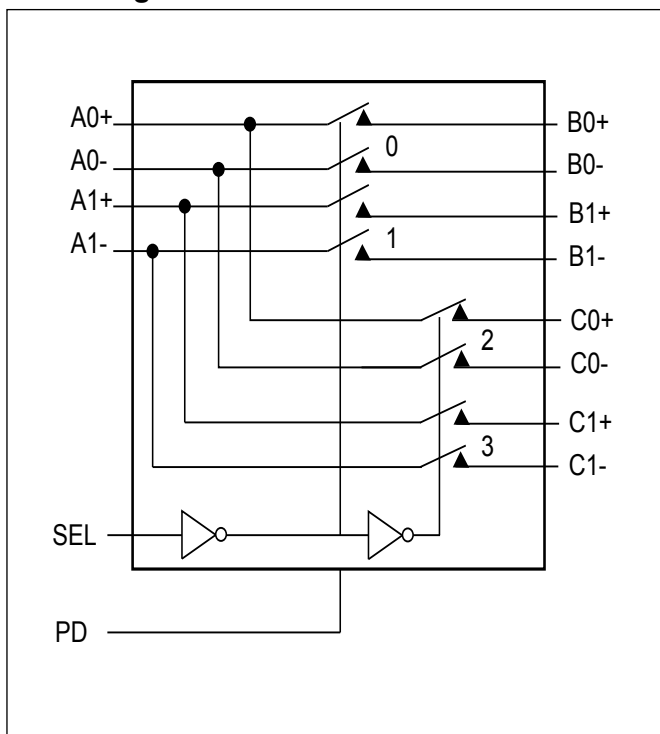
### 3.3V, 10-12Gbps 1-Lane 2:1 Mux/De-Mux Switch

Pericom Semiconductor's PI3DBS12212A is an 4 to 2 differential channel multiplexer/demultiplexer switch. This solution can switch multiple signal types up to data rate of 12Gbps. Using a unique design technique, Pericom has been able to minimize the impedance of the switch such that the attenuation observed through the switch is minimal. The unique design technique also offers a layout targeted for Thunderbolt & SAS 3.0 signals, which minimizes the channel to channel skew as well as channel to channel crosstalk as required by high speed signals.

#### Application

Routing high speed differential signals such as Thunderbolt, 10 Gigabit Ethernet, PCI-Express 3.0, SAS 3.0, and USB 3.1.

#### Block Diagram



#### Features

- 2 Differential Channel, 2:1 Mux/DeMux
- Up to 12Gbps data rate for SAS 3.0 Application
- 10Gbps Ethernet, USB 3.1
- Compatible with Thunderbolt signaling, 10.3125Gbps
- Bi-directional operation
- 3dB bandwidth: 10.6GHz
- Low Bit-to-Bit Skew, 1ps typ
- Low channel-to-channel skew, 7ps typ
- Low insertion loss: -1.5dB@5 GHz, -1.7dB@6 GHz
- Return loss: -19.6dB@5 GHz, -17.2dB@6 GHz
- Low Crosstalk: -30.5dB@6 GHz
- Low Off Isolation: -17.1dB@6 GHz
- Low power consumption - 200 $\mu$ A typ
- Supply Voltage 3.3V
- Industrial Temperature Range: -40 $^{\circ}$ C to 85 $^{\circ}$ C
- ESD – 2KV Human Body Model (HBM)
- Packaging (Pb-free & Green):
  - 20-contact, TQFN (ZBS20), 2.5x4.5mm
  - 18-contact, X2QFN (XUA18), 2x2mm