

Limit value switches - MCR-2SP-UI-DC



2769873

<https://www.phoenixcontact.com/us/products/2769873>

Please be informed that the data shown in this PDF document is generated from our Online Catalog. Please find the complete data in the user documentation. Our General Terms of Use for Downloads are valid.



MCR threshold value switch, with 2 adjustable relay contacts, with electrically isolated power pack, input signal 0 ... 10 V/0 ... 20 mA. Replacement part: 2902035 MINI MCR-2-UI-REL-PT.

Commercial Data

Item number	2769873
Packing unit	1 pc
Minimum order quantity	1 pc
Note	Made to Order (non-returnable)
Sales Key	C01
Product Key	CK1843
Catalog Page	Page 381 (IF-2009)
GTIN	4017918067694
Weight per Piece (including packing)	224.9 g
Weight per Piece (excluding packing)	216.06 g
Customs tariff number	85437090
Country of origin	DE

Limit value switches - MCR-2SP-UI-DC



2769873

<https://www.phoenixcontact.com/us/products/2769873>

Technical Data

Product properties

Product type	Threshold value switch
No. of channels	2

Insulation characteristics

Pollution degree	2
------------------	---

Electrical properties

No. of channels	2
Electrical isolation between input and output	No
Maximum power dissipation for nominal condition	3 W
Test voltage input/power supply	1 kV AC (50 Hz, 60 s)
Step response (10-90%)	40 ms
Maximum temperature coefficient	≤ 0.01 %/K

Supply

Nominal supply voltage	24 V DC
Supply voltage range	20 V DC ... 30 V DC
Max. current consumption	50 mA
Power consumption	< 1.5 W

Input data

Signal:

Description of the input	Analog input
Configurable/programmable	Yes
Voltage input signal	0 V ... 10 V
Max. voltage input signal	13 V
Current input signal	0 mA ... 20 mA
Max. current input signal	100 mA
Input resistance of voltage input	200 kΩ
Input resistance current input	50 Ω
Internal voltage hysteresis	approx. 100 mV
Internal current hysteresis	approx. 200 μA
Setting option	2-figure momentary-contact coding switch (0 ... 99%)
	External analog value definition
	2-figure momentary-contact coding switch (0 ... 99%) and external analog value definition

Signal:

Description of the input	Setpoint input
Number of inputs	2
Configurable/programmable	Yes
Voltage input signal	0 V ... 10 V

Limit value switches - MCR-2SP-UI-DC

2769873

<https://www.phoenixcontact.com/us/products/2769873>

Max. voltage input signal	13 V
Current input signal	0 mA ... 20 mA
Max. current input signal	100 mA
Input resistance of voltage input	200 k Ω
Input resistance current input	50 Ω

Output data

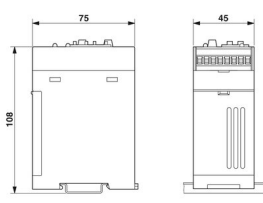
Switching: Relay

Contact type	2 x changeover contacts, de-energized/energized (switchable)
Contact material	Silver cadmium oxide (AgCdO)
Maximum switching voltage	250 V AC
Max. switching current	3 A
Mechanical service life	3x 10 ⁷ cycles
Setting range of the response delay	40 ms ... 4 s (adjustable)
Status display	LED

Connection data

Connection method	Screw connection
Stripping length	8 mm
Screw thread	M3
Conductor cross section solid	0.2 mm ² ... 2.5 mm ²
Conductor cross section flexible	0.2 mm ² ... 2.5 mm ²
Conductor cross section AWG	24 ... 14

Dimensions

Dimensional drawing	
Width	45 mm
Height	75 mm
Depth	108 mm

Material specifications

Housing material	PC
------------------	----

Environmental and real-life conditions

Ambient conditions

Degree of protection	IP20
Ambient temperature (operation)	-20 °C ... 65 °C
Ambient temperature (storage/transport)	-20 °C ... 65 °C

Limit value switches - MCR-2SP-UI-DC



2769873

<https://www.phoenixcontact.com/us/products/2769873>

Approval data

CE

Certificate	CE-compliant
-------------	--------------

UL, USA / Canada

Identification	cULus
----------------	-------

Mounting

Mounting type	DIN rail mounting
Mounting position	Vertical (horizontal DIN rail)

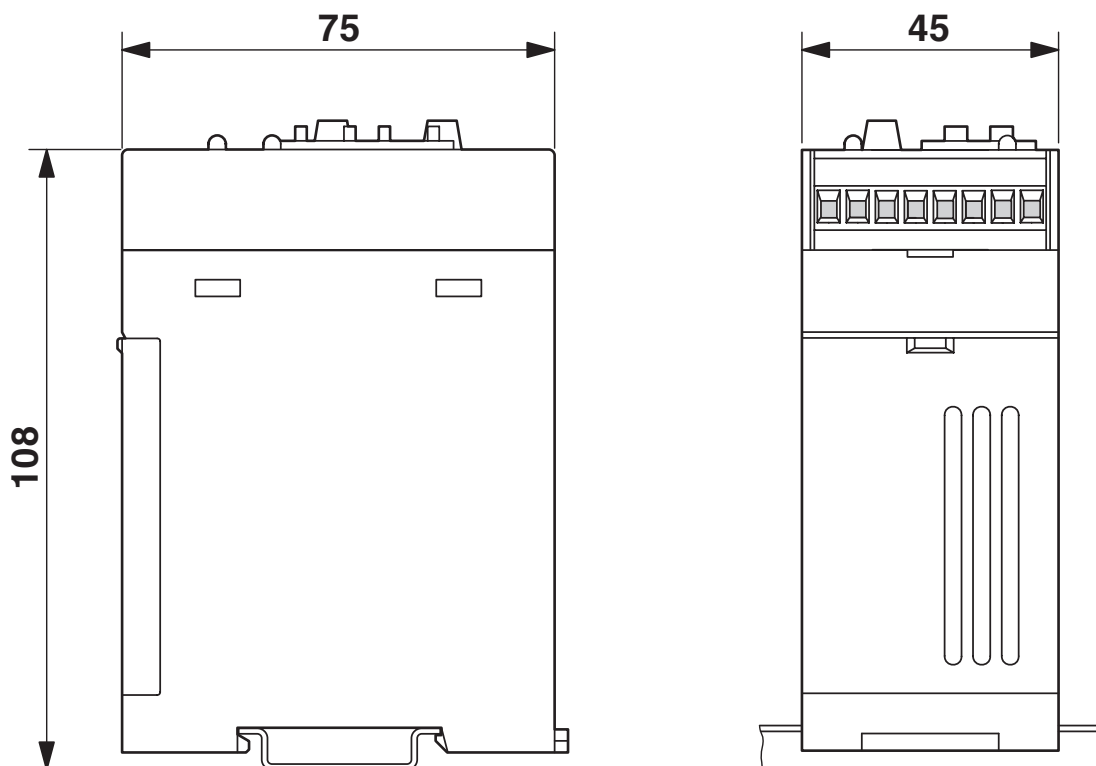
Limit value switches - MCR-2SP-UI-DC

2769873

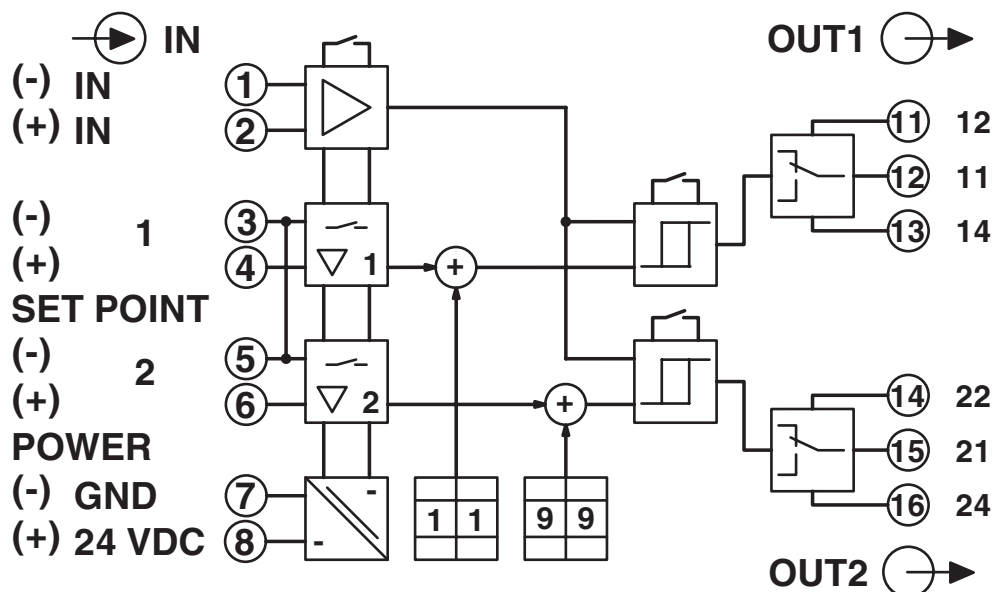
<https://www.phoenixcontact.com/us/products/2769873>

Drawings

Dimensional drawing



Circuit diagram

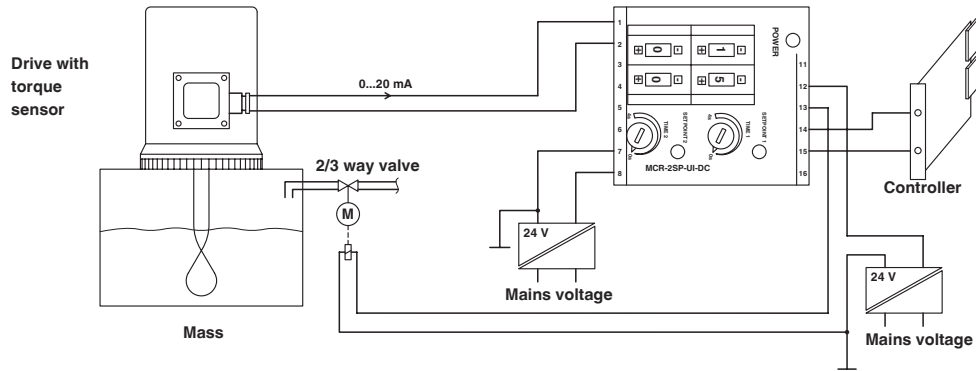


Limit value switches - MCR-2SP-UI-DC

2769873

<https://www.phoenixcontact.com/us/products/2769873>

Application drawing



Limit value switches - MCR-2SP-UI-DC



2769873

<https://www.phoenixcontact.com/us/products/2769873>

Classifications

ECLASS

ECLASS-9.0	27210120
ECLASS-10.0.1	27210120
ECLASS-11.0	27210120

ETIM

ETIM 7.0	EC002654
----------	----------

Limit value switches - MCR-2SP-UI-DC



2769873

<https://www.phoenixcontact.com/us/products/2769873>

Environmental Product Compliance

China RoHS	Environmentally Friendly Use Period = 50 years For information on hazardous substances, refer to the manufacturer's declaration available under "Downloads"
------------	--

Phoenix Contact 2022 © - all rights reserved
<https://www.phoenixcontact.com>

Phoenix Contact USA
586 Fulling Mill Road
Middletown, PA 17057, United States
(+717) 944-1300
info@phoenixcon.com