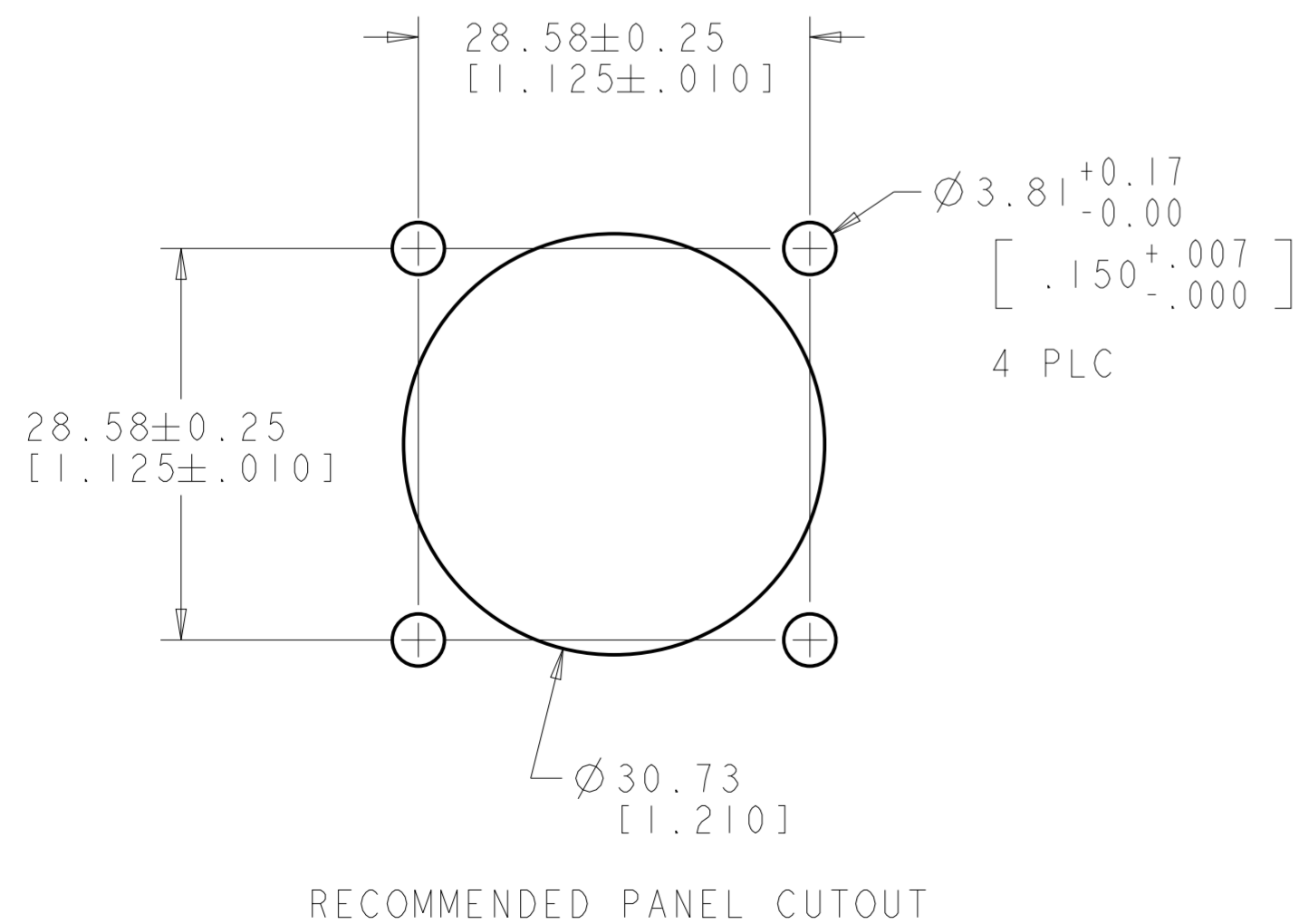
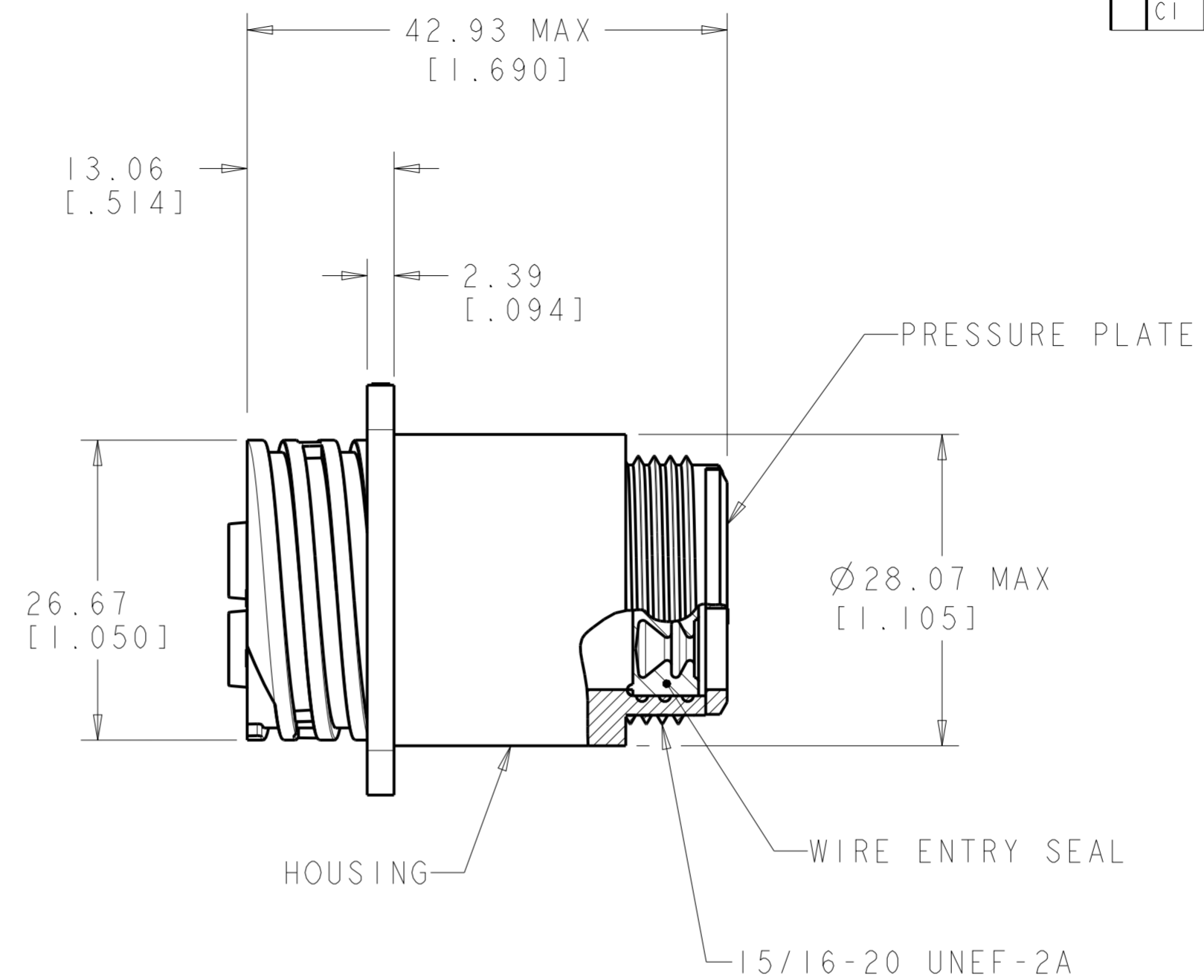
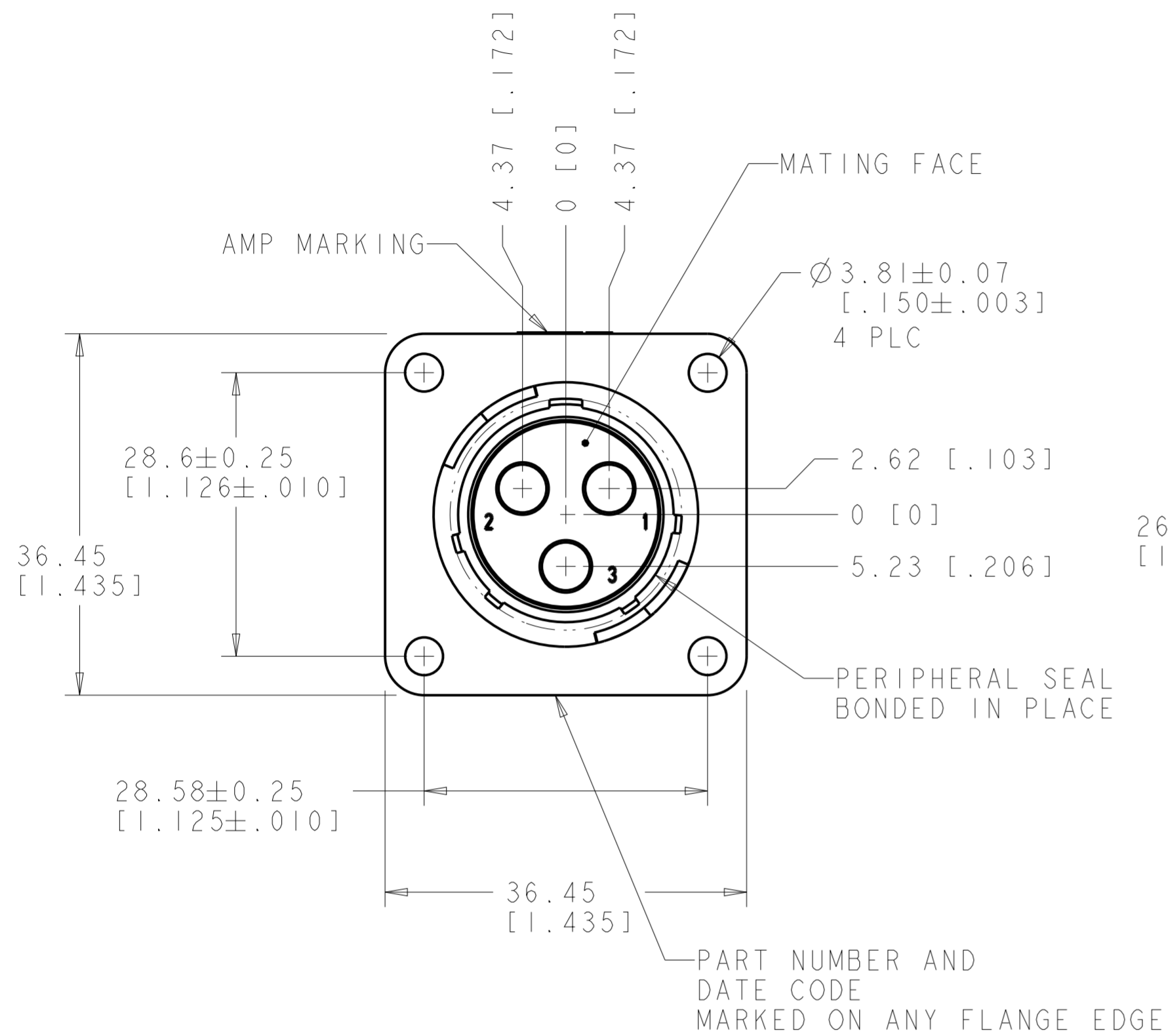


REVISIONS					
P	LTR	DESCRIPTION	DATE	DWN	APVD
B1		REVISED PER ECO-11-005294	30APR11	RK	HMR
B2		REVISED PER ECO-17-005754	25APR2017	BDA	MZ
C		REVISED PER ECO-19-011232	08AUG2019	RS	MZ
C1		REVISED PER ECO-21-000765	20JAN2021	RK	MZ



⚠ HOUSING & PRESSURE PLATE: NYLON, BLACK.
 WIRE ENTRY SEAL: ELASTOMER, SEE CHART FOR COLOR
 PERIPHERAL SEAL: ELASTOMER, BLACK.
 2. CONNECTOR WILL ACCEPT (3) POWER SOCKET CONTACTS.

RED IRON OXIDE	3.81-6.73 [.150-.265]	788189-2
BRIGHT YELLOW	2.41-5.21 [.095-.205]	788189-1
SEAL COLOR	INSULATION RANGE	PART NUMBER

THIS DRAWING IS A CONTROLLED DOCUMENT.		DWN S. WELDON 07FEB2000	TE Connectivity	
DIMENSIONS: mm [INCHES]		CHK K. DOWHOWER 07FEB2000		
TOLERANCES UNLESS OTHERWISE SPECIFIED:		APVD K. DOWHOWER 07FEB2000		
0 PLC ± 1 PLC ± 2 PLC ±0.02 3 PLC ± 4 PLC ± ANGLES ± FINISH -		PRODUCT SPEC 108-1579 APPLICATION SPEC - WEIGHT -		
MATERIAL		NAME RECEPTACLE ASSY, SERIES 5, REVERSE SEX, SIZE 17-3, CIRCULAR PLASTIC CONNECTOR		RESTRICTED TO
MATERIAL		SIZE CAGE CODE DRAWING NO A200779 C-788189		
CUSTOMER DRAWING		SCALE 2:1		SHEET OF REV C1