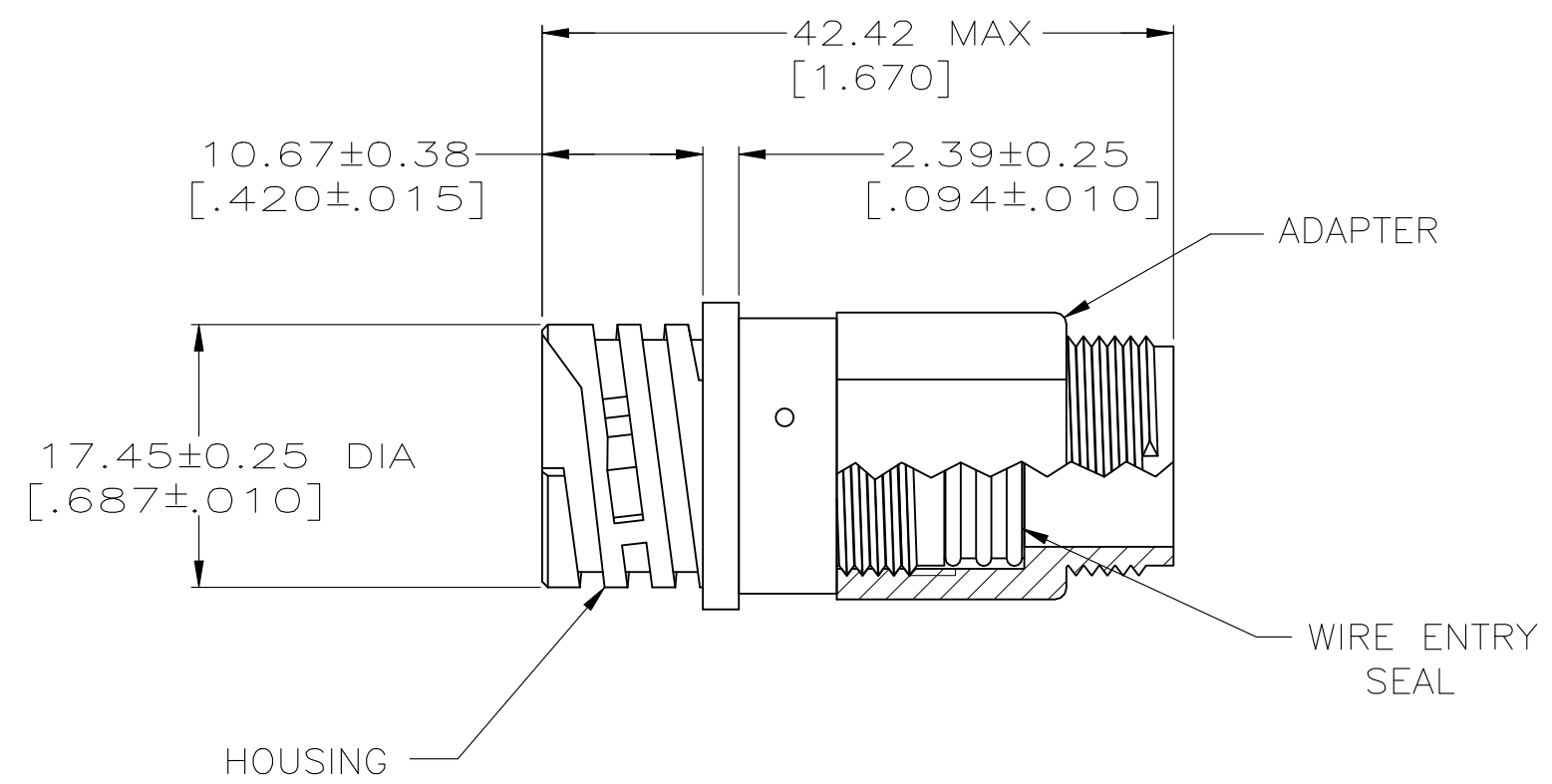
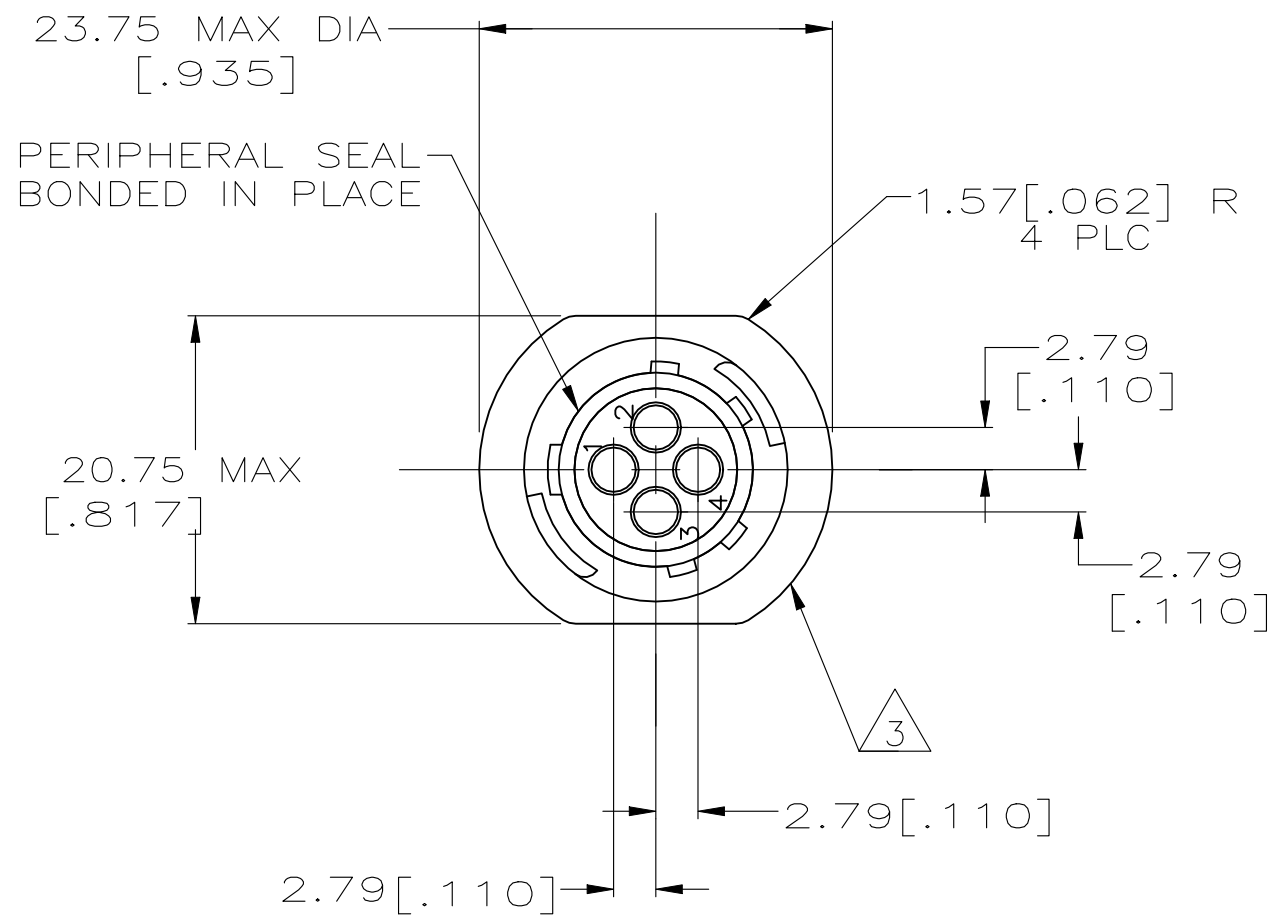


REVISIONS					
P	LTR	DESCRIPTION	DATE	DWN	APVD
	B	REVISED PER ECO-21-006945	28OCT2021	RK	MZ



788155-2

PART NUMBER

- ① HOUSING & ADAPTER: NYLON 6/6, BLACK.  
WIRE ENTRY SEAL: ELASTOMER, RED.
- 2. THIS CONNECTOR WILL ACCEPT  
FOUR (4) MULTIMATE SOCKET CONTACTS.
- ③ TE LOGO AND PART NUMBER LOCATED ON  
ANY FLANGE EDGE

THIS DRAWING IS A CONTROLLED DOCUMENT.		DWN P.BENNINGHOVE 01 OCT 97	<b>STE</b> TE Connectivity														
		CHK K.DOWHOWER 28 OCT 99															
DIMENSIONS: MM [INCHES]		APVD K.DOWHOWER 28 OCT 99	NAME RECEPTACLE ASSEMBLY, 11-4, REVERSE SEX, SERIES I, SEALED, CPC														
TOLERANCES UNLESS OTHERWISE SPECIFIED:		PRODUCT SPEC 108-1579	RESTRICTED TO														
<table border="0"> <tr><td>0 PLC</td><td>± -</td></tr> <tr><td>1 PLC</td><td>± -</td></tr> <tr><td>2 PLC</td><td>± 0.13 [.005]</td></tr> <tr><td>3 PLC</td><td>± -</td></tr> <tr><td>4 PLC</td><td>± -</td></tr> <tr><td>ANGLES</td><td>± -</td></tr> </table>		0 PLC	± -	1 PLC	± -	2 PLC	± 0.13 [.005]	3 PLC	± -	4 PLC	± -	ANGLES	± -	APPLICATION SPEC 114-10038	SIZE A3	CAGE CODE 00779	DRAWING NO C-788155
0 PLC	± -																
1 PLC	± -																
2 PLC	± 0.13 [.005]																
3 PLC	± -																
4 PLC	± -																
ANGLES	± -																
MATERIAL -		FINISH -	WEIGHT -	SCALE 2:1													
CUSTOMER DRAWING			SHEET 1 OF 1		REV B												