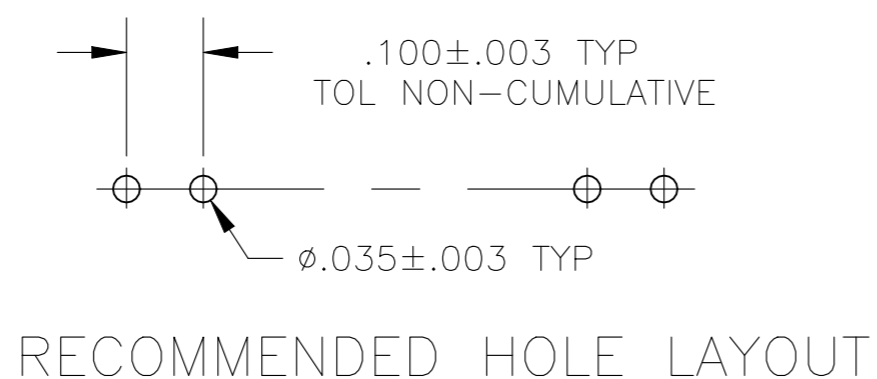
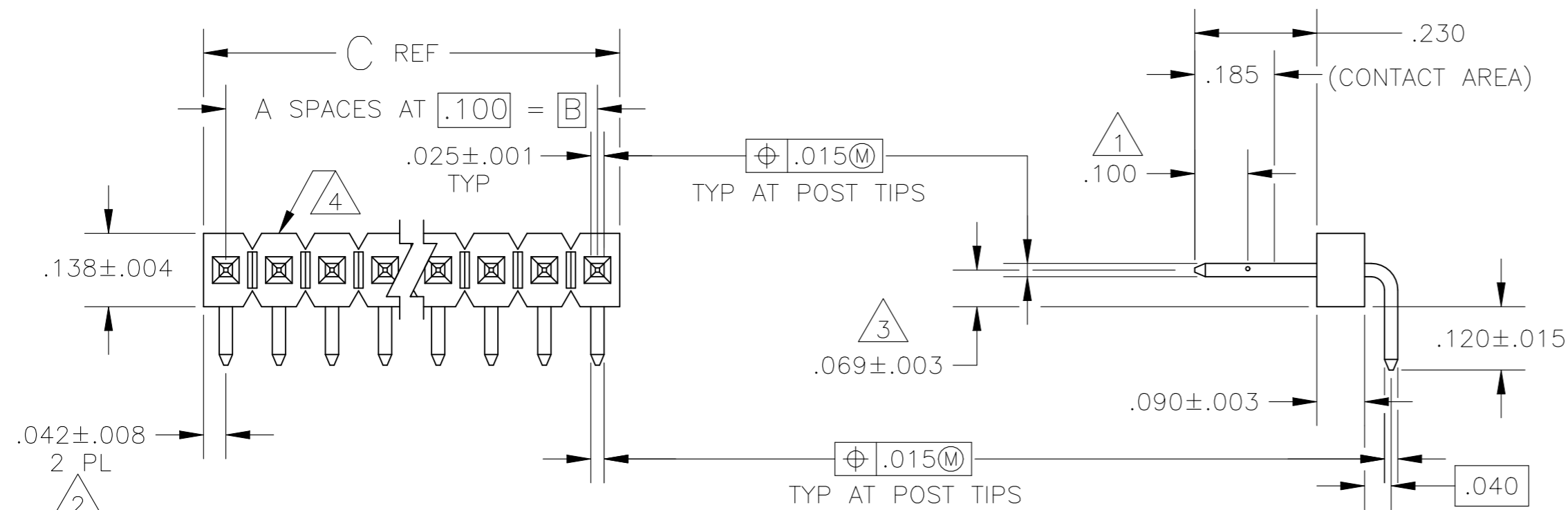


REVISIONS					
P	LTR	DESCRIPTION	DATE	DWN	APVD
	G2	REVISED PER ECN-22-159486	17JUN2022	RK	MF

- 1 ASSEMBLY MAY BE BROKEN TO THE DESIRED NUMBER OF POSITIONS.
- 2 THE NOTED DIMENSIONS APPLY AT THE INTERSECTION OF THE POST AND HOUSING
- 3 POINT OF MEASUREMENT FOR PLATING THICKNESS
- 4 BREAKAWAY NOTCH ANGLE CAN BE ORIENTED TO THE RIGHT (AS SHOWN) OR TO THE LEFT
- 5 OBSOLETE PARTS: OBSOLETE CIS STREAMLINING PER D.RENAUD/D.SINISI



	C	B	A	NO OF POSN	PART NUMBER
	3.984	3.900	39	40	4-103148-0
5 OBSOLETE	3.884	3.800	38	39	3-103148-9
5 OBSOLETE	3.784	3.700	37	38	3-103148-8
5 OBSOLETE	3.684	3.600	36	37	3-103148-7
5 SUPERSEDED BY 8-146304-6	3.584	3.500	35	36	3-103148-6
5 OBSOLETE	3.484	3.400	34	35	3-103148-5
5 OBSOLETE	3.384	3.300	33	34	3-103148-4
5 OBSOLETE	3.284	3.200	32	33	3-103148-3
5 OBSOLETE	3.184	3.100	31	32	3-103148-2
5 OBSOLETE	3.084	3.000	30	31	3-103148-1
5 OBSOLETE	2.984	2.900	29	30	3-103148-0
5 OBSOLETE	2.884	2.800	28	29	2-103148-9
5 OBSOLETE	2.784	2.700	27	28	2-103148-8
5 OBSOLETE	2.684	2.600	26	27	2-103148-7
5 SUPERSEDED BY 7-146304-5	2.584	2.500	25	26	2-103148-6
5 SUPERSEDED BY 7-146304-5	2.484	2.400	24	25	2-103148-5
5 OBSOLETE	2.384	2.300	23	24	2-103148-4
5 OBSOLETE	2.284	2.200	22	23	2-103148-3
5 OBSOLETE	2.184	2.100	21	22	2-103148-2
5 OBSOLETE	2.084	2.000	20	21	2-103148-1
5 OBSOLETE	1.984	1.900	19	20	2-103148-0
5 OBSOLETE	1.884	1.800	18	19	1-103148-9
5 OBSOLETE	1.784	1.700	17	18	1-103148-8
5 OBSOLETE	1.684	1.600	16	17	1-103148-7
5 OBSOLETE	1.584	1.500	15	16	1-103148-6
5 OBSOLETE	1.484	1.400	14	15	1-103148-5
5 OBSOLETE	1.384	1.300	13	14	1-103148-4
5 OBSOLETE	1.284	1.200	12	13	1-103148-3
5 SUPERSEDED BY 6-146304-2	1.184	1.100	11	12	1-103148-2
5 OBSOLETE	1.084	1.000	10	11	1-103148-1
5 SUPERSEDED BY 5-146304-9	.984	.900	9	10	1-103148-0
5 SUPERSEDED BY 5-146304-9	.884	.800	8	9	1-103148-9
5 OBSOLETE	.784	.700	7	8	1-103148-8
5 OBSOLETE	.684	.600	6	7	1-103148-7
5 OBSOLETE	.584	.500	5	6	1-103148-6
5 OBSOLETE	.484	.400	4	5	1-103148-5
5 OBSOLETE	.384	.300	3	4	1-103148-4
5 OBSOLETE	.284	.200	2	3	1-103148-3
5 OBSOLETE	.184	.100	1	2	1-103148-2
5 OBSOLETE	.084	—	—	1	1-103148-1

THIS DRAWING IS A CONTROLLED DOCUMENT.		DWN H MOLL 23OCT87	<b>STE</b> TE Connectivity	
DIMENSIONS: INCHES		CHK T. CLARK 23OCT87		
TOLERANCES UNLESS OTHERWISE SPECIFIED:		APVD T. CLARK 29OCT87	NAME	
0 PLC ± - 1 PLC ± - 2 PLC ± - 3 PLC ± .005 4 PLC ± - ANGLES ± -		PRODUCT SPEC	HEADER ASSY, MOD II, BREAKAWAY SINGLE ROW, .100CL, RIGHT ANGLE, W/ .025 SQ POSTS	
MATERIAL: HOUSING: FLAME RETARDANT THERMOPLASTIC; COLOR-BLACK POSTS: COPPER ALLOY		FINISH: POSTS .000030 GOLD ON CONTACT AREA; .000100-.000200 MATTE TIN-LEAD ON SOLDER TAIL, ALL OVER .000050 NICKEL	APPLICATION SPEC	RESTRICTED TO
WEIGHT		—	SIZE A2	CAGE CODE 00779
CUSTOMER DRAWING		SCALE 4:1	DRAWING NO C=103148	SHEET 1 OF 1
				REV G2