

NCV887601BSTGEVB

NCV887601 Automotive Grade High-Frequency Start-Stop Boost Controller Evaluation Board User's Manual



ON Semiconductor®

<http://onsemi.com>

EVAL BOARD USER'S MANUAL

Description

This NCV887601 evaluation board provides a convenient way to evaluate a high frequency boost controller designed to supply a minimum output voltage during Start-Stop vehicle battery voltage sags. The unit is in low I_q sleep-mode under normal battery operating condition and will wake-up when the monitored voltage drops below 7.3 V and begin regulating once 6.8 V is reached. Switching frequency is set to 440 kHz with a user selectable ROSC resistor. The evaluation board is rated 6.8 V / 3.6 A at a 2.6 V input voltage. Operation below 2.6 V is possible if output current is reduced.

Key Features

- Automatic enable below 7.3 V
- Boost Operation at 6.8 V
- 440 kHz Switching Frequency
- Input Undervoltage Lockout
- Wide Input Voltage of 2.6 V to 45 V
- Low Quiescent Current in Sleep Mode ($<11 \mu\text{A}$ Typical)
- Cycle-by-Cycle Current Limit Protection
- Status Monitoring
- Automotive Grade

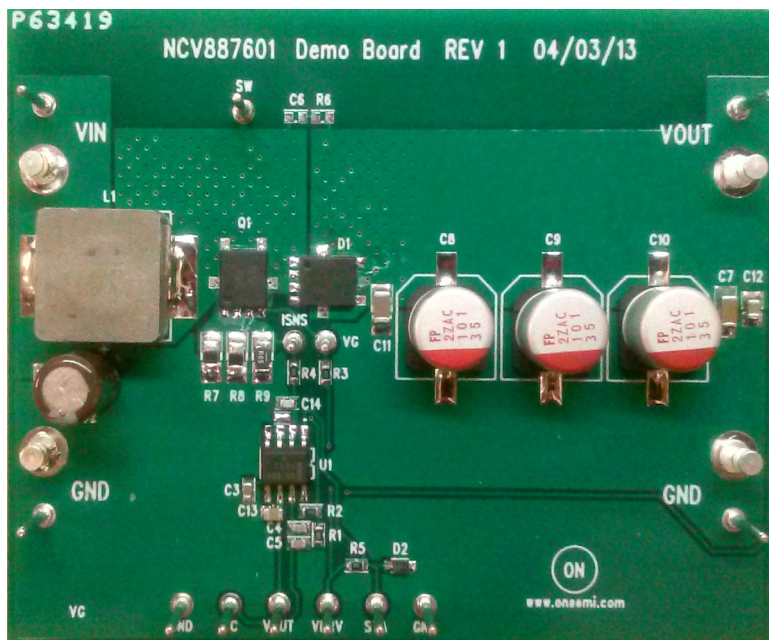


Figure 1. NCV887601 Start-Stop Evaluation Board

NCV887601BSTGEVB

Table 1. EVALUATION BOARD TERMINALS

Terminal	Function
VIN (large post)	Positive DC input voltage (power)
GND (large post)	Common DC return (power)
VOOUT (large post)	Regulated DC output voltage (power)
GND (small post)	Common DC return, monitoring point
VC (small post)	Voltage compensation, monitoring point
VOOUT (small post)	Regulated DC output voltage, monitoring point
VDRV (small post)	Driving voltage, monitoring point
STA (small post)	IC status, monitoring point
ISNS (small post)	Current sense resistor voltage, monitoring point
VG (small post)	MOSFET gate voltage, monitoring point
SW (small post)	MOSFET drain voltage, monitoring point

Table 2. ABSOLUTE MAXIMUM RATINGS (Voltages are with respect to GND)

Rating	Value	Unit
DC supply voltage (VIN)	-0.3 to 45 V	V
DC supply voltage (EN, SYNC)	-0.3 to 6 V	V
Junction Temperature	-40 to 150	°C
Ambient temperature (Evaluation Board)	-40 to 105	°C

Stresses exceeding Maximum Ratings may damage the device. Maximum Ratings are stress ratings only. Functional operation above the Recommended Operating Conditions is not implied. Extended exposure to stresses above the Recommended Operating Conditions may affect device reliability.

Table 3. ELECTRICAL CHARACTERISTICS

($T_A = 25^\circ\text{C}$, $6\text{ V} \leq V_{IN} \leq V_{out_LED}$, $V_{EN} = 2\text{ V}$, unless otherwise specified)

Characteristics	Conditions	Typical Value	Unit
Switching			
Switching Frequency	ROSC = 10.7 kΩ	440	kHz
User Selectable Frequency Range	ROSC (refer to datasheet)	170-500	kHz
Current Limit			
Cycle-by-cycle Current Limit (FET)	-	18	A
Protections			
Maximum Duty Cycle	-	0.83	-
VOOUT Undervoltage Lockout (UVLO)	VOOUT falling	3.6	V
	VOOUT rising	4.0	
Thermal Shutdown	T_A increasing	170	°C

NCV887601BSTGEVB

Operational Guidelines

The evaluation board is rated to operate at full load for input voltage as low as 2.6 V at the input terminal under full power (less if output current is reduced). Start-Stop applications use reverse battery protection diodes in front of the boost converter (Figure 2), so the input source can operate down to 2.6 V plus a diode drop (i.e. ~3 V). On the cathode side of the reverse battery protection diode, electrolytic capacitors are used (e.g. 2 x 330 μ F) that serve three functions.

1. EMI filtering of the power supply input current.
2. Holdup energy to limit the Start-Stop operation dV/dt voltage sag to the boost supply.
3. When using a bench supply power source, the electrolytic capacitors decouple the power source from the boost demo board to prevent negative impedance oscillation*.

*The use of external electrolytic capacitors at the input of the evaluation board (short leads) is strongly recommended for bench testing.

Notes:

1. The IC UVLO (undervoltage lockout) is 4.0 V for VOUT rising, 3.6 V for VOUT falling (0.4 V hysteresis). The STATUS pin is powered by the IC VDRV pin on the demo board (details available from the Figure 4 schematic) to eliminate leakage current during normal battery operation. The STATUS pin has a high impedance state when in sleep-mode. STATUS pin is in a low impedance state only when the IC is awake (VOUT decreasing is below 7.3 V) and not in UVLO.

2. Limit time spent with the power supply operating at minimum input voltage (equivalent to VIN = 2.6 V) to avoid overheating the power semiconductors.

First Time Power-Up:

1. Connect a DC2 input voltage (15 A capable) set to a voltage of 12.0 V as shown in Figure 2. DC1 is not used in this test.
2. Connect a 3.6 A load on the output. If a load resistor is used, it is recommended to start from a DC2 input voltage of 8.5-9.0 V to avoid overstressing the PCB boost diode (D1, rated 4 A).
3. Decrease the DC input voltage until the PCB VIN voltage is less than that of the output. Verify that the unit is regulating at VOUT = 6.8 V.
4. Reduce the power source voltage until the PCB VIN = 2.6 V. Verify that the unit is regulating at VOUT = 6.8 V.

Start-Stop Voltage Transient Test:

1. Connect both DC1 and DC2 input power supplies as illustrated in Figure 2. Adjust DC2 so that PCB VIN = 2.6 V for a 3.6 A load.
2. Connect a 3.6 A load on the output. If a load resistor is used, it is recommended to start from a DC1 input voltage of 8.5-9.0 V to avoid overstressing the PCB boost diode (D1, rated 4 A).
3. Monitor VOUT. Disconnect supply DC1. VOUT should have a response similar to that of Figure 3.

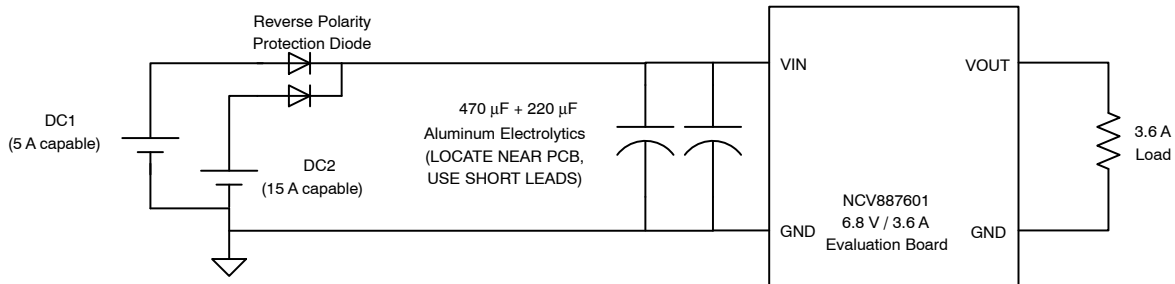


Figure 2. Evaluation Board Connections

NCV887601BSTGEVB

Typical Performance

DC1 is disabled, then re-enabled

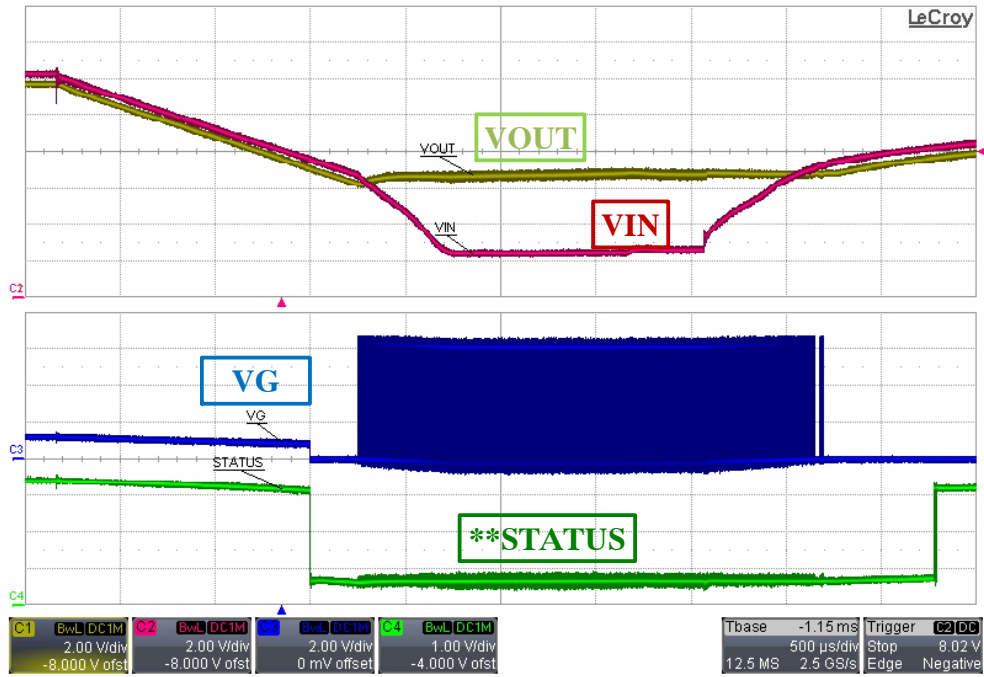


Figure 3. NCV887601 Evaluation Board Waveforms

- DC2 at VIN set to 2.6 V (after reverse polarity protection diode)
- VOUT = 6.8 V, IOUT = 3.6 A
- **STATUS pin was powered using an external source

NCV887601BSTGEVB

BILL OF MATERIALS

Table 4. BILL OF MATERIALS

Reference Designator(s)	QTY	Description	Value	Tolerance	Manufacturer	Manufacturer's Part Number
C1, C12	2	CAP CER 0.1UF 50V 10% X7R 0805	100 nF	10%	Murata Electronics North America	GCM21BR71H104KA37L
C2	1	CAP ALUM 56UF 50V 20% RADIAL	56 μ F	20%	Chemi-Con	EKZE500ELL560MF11D
C3	1	CAP CER 1UF 16V 10% X7R 0603	1 μ F	10%	Murata Electronics North America	GCM188R71C105KA64D
C4	1	CAP CER 470PF 50V 5% NP0 0603	470 pF	5%	Murata Electronics North America	GCM1885C1H471JA16D
C5	1	CAP CER 0.033UF 50V 10% X7R 0603	0.033 μ F	10%	TDK Corporation	CGA3E2X7R1H333K080AA
C6	1	CAP CER 3300PF 50V 5% NP0 0603	3300 pF	5%	TDK Corporation	CGA3E2C0G1H332J080AA
C7	1	CAP CER 4.7UF 50V 10% X7R 1206	4.7 μ F	10%	Taiyo Yuden	UMK316AB7475KL-T
C8, C9, C10	2	CAP ALUM 100UF 35V 20% SMD	100 μ F	20%	Nichicon	RHS1V101MCN1GS
C11	1	CAP CER 1UF 50V 10% X7R 1206	1.0 μ F	10%	Murata Electronics North America	GCM31MR71H105KA55L
C13	1	CAP CER 1UF 50V 10% X7R 0805	1.0 μ F	10%	TDK Corporation	CGA4J3X7R1H105K125AB
C14	1	CAP CER 100PF 50V 5% NP0 0603	100 pF	5%	Murata Electronics North America	GCM1885C1H101JA16D
D1	1	40 V, 4.0 A Schottky Rectifier SO8-FL	40 V / 4 A	N/A	ON Semiconductor	NRVB440MFST1G
D2	1	DIODE ZENER 3.3V 200MW SOD323	3.3 V / 200 mW	N/A	ON Semiconductor	MM3Z3V3ST1G
L1	1	INDUCTOR POWER 2.2UH 22A SMD	2.2 μ H	20%	Vishay Dale	IHLP5050FDER2R2M01
Q1	1	N-Channel Power MOSFET 60V 61A SO-8FL	60 V / 61 A	N/A	ON Semiconductor	NVMFS5844NL
R1	1	RES 3.01K OHM 1/10W 1% 0603 SMD	3.01 K Ω	1%	Vishay Dale	CRCW06033K01FKEA
R2	1	RES 10.7K OHM 1/10W 1% 0603 SMD	10.7 K Ω	1%	Vishay Dale	CRCW060310K7FKEA
R3	1	RES 0.0 OHM 1/10W JUMP 0603 SMD	0	Jumper	Vishay Dale	CRCW06030000Z0EA
R4	1	RES 845 OHM 1/10W 1% 0603 SMD	845 Ω	1%	Vishay Dale	CRCW0603845RFKEA
R5	1	RES 9.10K OHM 1/10W 1% 0603 SMD	9.10 K Ω	1%	Vishay Dale	CRCW06039K10FKEA
R6	1	RES 8.20 OHM 1/10W 1% 0603 SMD	8.2 Ω	1%	Vishay Dale	CRCW06038R20FKEA
R8, R9	2	RES 0.022 OHM 1W 5% 1206 SMD	0.022 Ω	5%	Panasonic Electronic Components	ERJ-8BWJR022V
R7	DNP					
TP1, 2, 3, 4	4	TERM SOLDER TURRET .219" .109"L	N/A	N/A	Mill-Max Manufacturing Corp.	2501-2-00-44-00-00-07-0
TP5 thru TP17	13	PIN INBOARD .042" HOLE 1000/PKG	N/A	N/A	Vector Electronics	K24C/M
U1	1	Automotive Non-Sync Boost Controller	N/A	N/A	ON Semiconductor	NCV887601

NCV887601BSTGEVB

PCB LAYOUT

NCV887601 Demo Board Rev 1
TOP Layer 07/01/2013

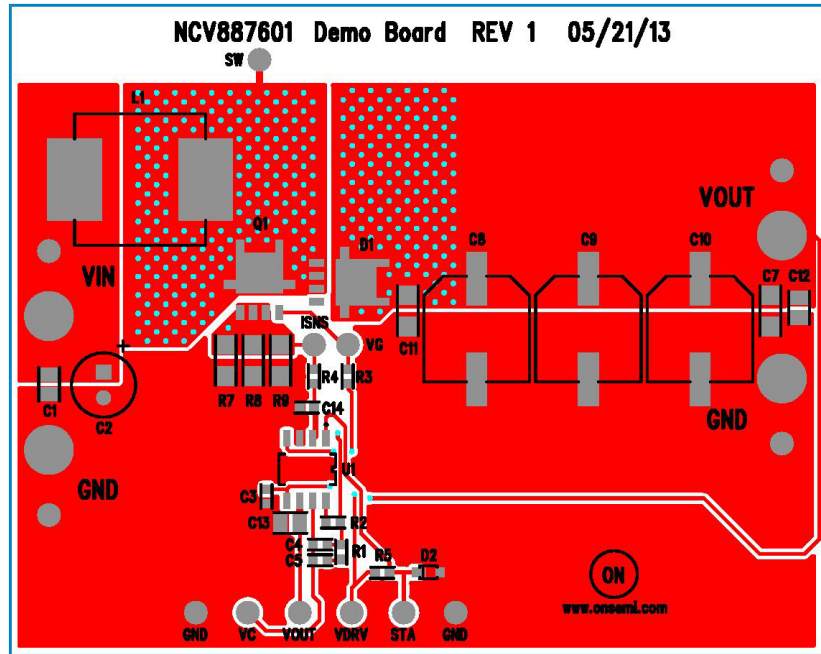


Figure 5. Top View (copper pour turned off)

NCV887601 Demo Board Rev 1
BOTTOM Layer 07/01/2013

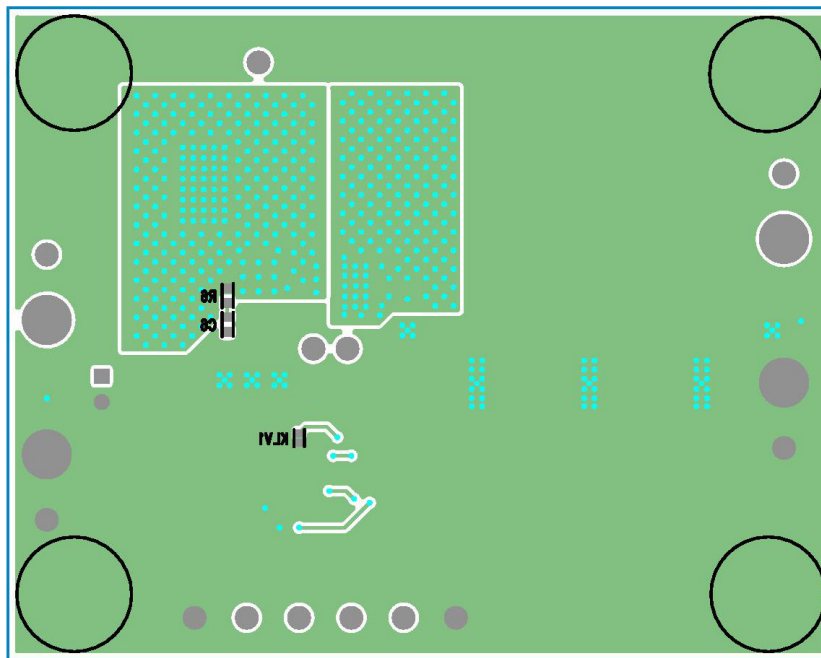


Figure 6. Bottom View (copper pour turned off)

onsemi, **Onsemi**, and other names, marks, and brands are registered and/or common law trademarks of Semiconductor Components Industries, LLC dba "**onsemi**" or its affiliates and/or subsidiaries in the United States and/or other countries. **onsemi** owns the rights to a number of patents, trademarks, copyrights, trade secrets, and other intellectual property. A listing of **onsemi**'s product/patent coverage may be accessed at www.onsemi.com/site/pdf/Patent-Marking.pdf. **onsemi** is an Equal Opportunity/Affirmative Action Employer. This literature is subject to all applicable copyright laws and is not for resale in any manner.

The evaluation board/kit (research and development board/kit) (hereinafter the "board") is not a finished product and is not available for sale to consumers. The board is only intended for research, development, demonstration and evaluation purposes and will only be used in laboratory/development areas by persons with an engineering/technical training and familiar with the risks associated with handling electrical/mechanical components, systems and subsystems. This person assumes full responsibility/liability for proper and safe handling. Any other use, resale or redistribution for any other purpose is strictly prohibited.

THE BOARD IS PROVIDED BY ONSEMI TO YOU "AS IS" AND WITHOUT ANY REPRESENTATIONS OR WARRANTIES WHATSOEVER. WITHOUT LIMITING THE FOREGOING, ONSEMI (AND ITS LICENSORS/SUPPLIERS) HEREBY DISCLAIMS ANY AND ALL REPRESENTATIONS AND WARRANTIES IN RELATION TO THE BOARD, ANY MODIFICATIONS, OR THIS AGREEMENT, WHETHER EXPRESS, IMPLIED, STATUTORY OR OTHERWISE, INCLUDING WITHOUT LIMITATION ANY AND ALL REPRESENTATIONS AND WARRANTIES OF MERCHANTABILITY, FITNESS FOR A PARTICULAR PURPOSE, TITLE, NON-INFRINGEMENT, AND THOSE ARISING FROM A COURSE OF DEALING, TRADE USAGE, TRADE CUSTOM OR TRADE PRACTICE.

onsemi reserves the right to make changes without further notice to any board.

You are responsible for determining whether the board will be suitable for your intended use or application or will achieve your intended results. Prior to using or distributing any systems that have been evaluated, designed or tested using the board, you agree to test and validate your design to confirm the functionality for your application. Any technical, applications or design information or advice, quality characterization, reliability data or other services provided by **onsemi** shall not constitute any representation or warranty by **onsemi**, and no additional obligations or liabilities shall arise from **onsemi** having provided such information or services.

onsemi products including the boards are not designed, intended, or authorized for use in life support systems, or any FDA Class 3 medical devices or medical devices with a similar or equivalent classification in a foreign jurisdiction, or any devices intended for implantation in the human body. You agree to indemnify, defend and hold harmless **onsemi**, its directors, officers, employees, representatives, agents, subsidiaries, affiliates, distributors, and assigns, against any and all liabilities, losses, costs, damages, judgments, and expenses, arising out of any claim, demand, investigation, lawsuit, regulatory action or cause of action arising out of or associated with any unauthorized use, even if such claim alleges that **onsemi** was negligent regarding the design or manufacture of any products and/or the board.

This evaluation board/kit does not fall within the scope of the European Union directives regarding electromagnetic compatibility, restricted substances (RoHS), recycling (WEEE), FCC, CE or UL, and may not meet the technical requirements of these or other related directives.

FCC WARNING – This evaluation board/kit is intended for use for engineering development, demonstration, or evaluation purposes only and is not considered by **onsemi** to be a finished end product fit for general consumer use. It may generate, use, or radiate radio frequency energy and has not been tested for compliance with the limits of computing devices pursuant to part 15 of FCC rules, which are designed to provide reasonable protection against radio frequency interference. Operation of this equipment may cause interference with radio communications, in which case the user shall be responsible, at its expense, to take whatever measures may be required to correct this interference.

onsemi does not convey any license under its patent rights nor the rights of others.

LIMITATIONS OF LIABILITY: **onsemi** shall not be liable for any special, consequential, incidental, indirect or punitive damages, including, but not limited to the costs of requalification, delay, loss of profits or goodwill, arising out of or in connection with the board, even if **onsemi** is advised of the possibility of such damages. In no event shall **onsemi**'s aggregate liability from any obligation arising out of or in connection with the board, under any theory of liability, exceed the purchase price paid for the board, if any.

The board is provided to you subject to the license and other terms per **onsemi**'s standard terms and conditions of sale. For more information and documentation, please visit www.onsemi.com.

PUBLICATION ORDERING INFORMATION

LITERATURE FULFILLMENT:

Email Requests to: orderlit@onsemi.com

onsemi Website: www.onsemi.com

TECHNICAL SUPPORT

North American Technical Support:

Voice Mail: 1 800-282-9855 Toll Free USA/Canada

Phone: 011 421 33 790 2910

Europe, Middle East and Africa Technical Support:

Phone: 00421 33 790 2910

For additional information, please contact your local Sales Representative