

SPECIFICATIONS:

1.ELECTRICAL CHARACTERISTICS:

- 1-1.RATING:DC 24V 8A
- 1-2 CONTACT RESISTANCE:30mΩ MAX(INMAL)
- 1-3DIELECTRIC WITHSTANDING VOLTAGE:500V AC FOR ONE MINUTE
- 1-4.INSULATION RESISTANCE:100MΩ MIN. MEASURED BY 500V DC

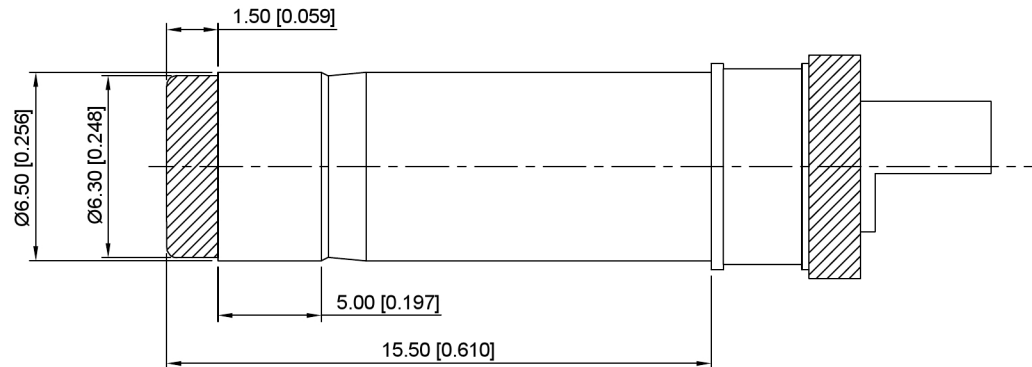
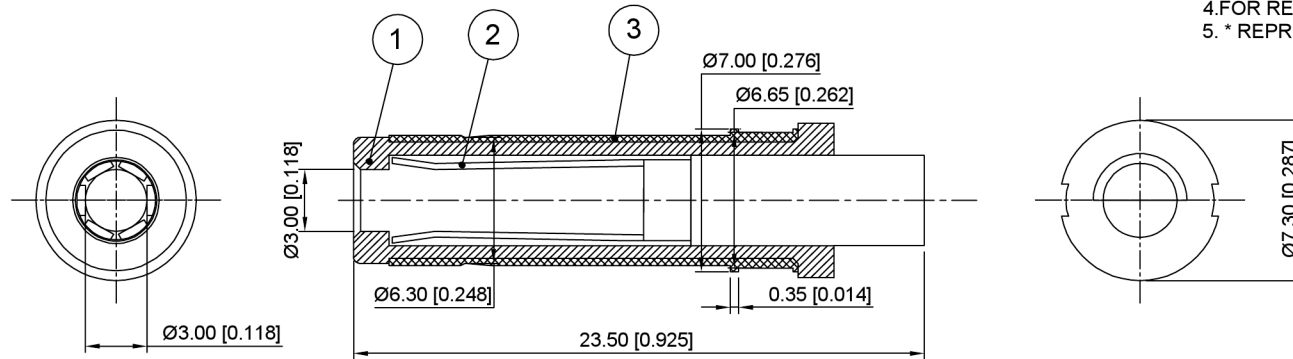
2.MECHANICAL CHARACTERISTICS:

- 2-1.Plugit into the mother socket 3 times INSERTION FORCE:0.3~3.0 KGF
- 2-2.Plug it into the mother socket 5000 times INSERTION FORCE:0.3~3.0 KGF

3.SALTFOG:24 Hours

4.FOR REFLOW SOLDERING LEAD-FREE PROCESS

5. \* REPRESENT CRITICAL DIMENSIONS.



	MATERIAL	PLATING
TERMINAL 1	Phosphor bronze	NI
Fork hook tube	C3604	NI
plastic	PBT	Black

广东星坤科技股份有限公司

ΔX		日期
ΔX		日期
ΔX		日期
MARK		

文件工程章

REVISIONS	DATE	REVISED	APPROVED	DESCRIPTION

ANGULAR	±5°
L ≤ 4	±0.2
4 < L ≤ 16	±0.3
16 < L ≤ 63	±0.4
L > 63	±0.5
UNSPECIFIED TOLERANCES	



DSND		SCALE: N/A
DWN		VIEW:
CHKD		UNIT: mm/in
APPD		SIZE: A4

MODEL TYPE:	DC PIUG	
PART NO.:	DT-2356530	
DWG NO.:		
WEIGHT	SHEET	REVISIC
	1/1	A0

XKB INDUSTRIAL PRECISION CO., LIMITED