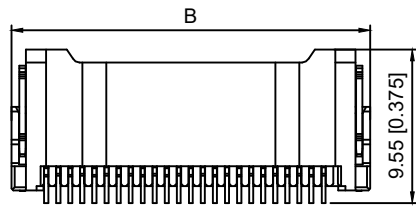


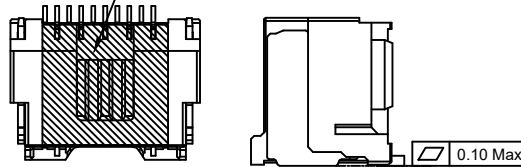
Specifications:  
 规格:  
 Voltage rating:100V AC/DC  
 额定电压: 100V AC/DC  
 Current rating:1.5A AC/DC  
 额定电流: 1.5A AC/DC  
 Withstanding voltage:500V AC/minute  
 耐受电压: 500V AC/分钟  
 Temperature range:-40°C- 105°C  
 温度范围: -40°C- 105°C  
 Insulation resistance: 500M  
 绝缘电阻: 500M  
 Contact resistance: 20m  
 接触电阻: 20m

1515 W R S-2xXX  
 ① ② ③ ④ ⑤

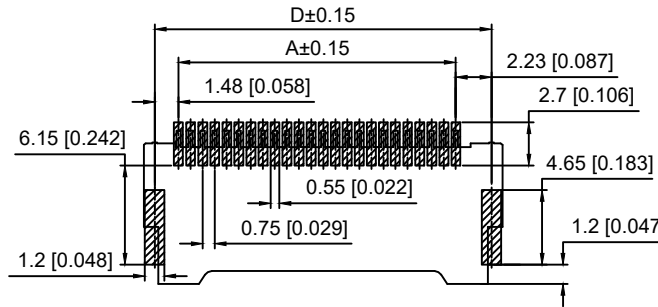
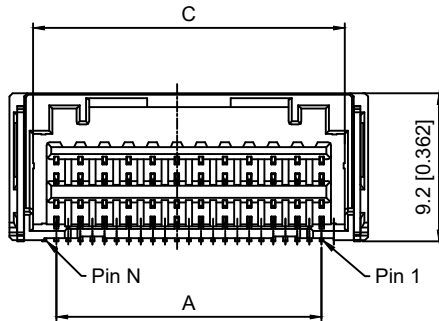
- 1.Series No
- 2.Category:W-Wafer
- 3.Welding Board Angle:R-Stright 90
- 4.Welding Way:S-SMT
- 5.Row No.Pin No:2xXX-2x04 2x14P



2x04Pin / 2x05Pin With Mylar



2x04Pin  
2x05Pin



Recommended PCB Layout  
Tolerance:±0.05

Poles	Dimensions mm			
	A	B	C	D
2x04	4.50	10.30	7.40	8.95
2x05	6.00	11.80	8.90	10.45
2x06	7.50	13.30	10.40	11.95
2x07	9.00	14.80	11.90	13.45
2x08	10.50	16.30	13.40	14.95
2x09	12.00	17.80	14.90	16.45
2x10	13.50	19.30	16.40	17.95
2x11	15.00	20.80	17.90	19.45
2x12	16.50	22.30	19.40	20.95
2x13	18.00	23.80	20.90	22.45
2x14	19.50	25.30	22.40	23.95

1515WRS-2xXX	LCP	Phosphor Bronze	1515H-A
PART NO	Material	Material Pin	Suitable Hanyones Housing

—		new		2015/5/3	A	
ECN BO.		DESCRIPTION.		DATE.	REV.	
DESIGNED	CHECKED	APPROVAL	DRAWING NUMBER	SCALT: 1/2		SCALE: 3:1
Mikey	Tom	Jerry	PART NAME	1515WRS-2x13	UNLESS OTHERWISE SPECIFIED,TOLERANCE:	X. ±0.25
			MODEL NAME	1515WRS-2x13		X.x ±0.20
			3RD ANGLE PROJ	HANYONES TECH CO.,LTD		X.xx ±0.15
					ANGULAR	±3'
						FILE. NO.