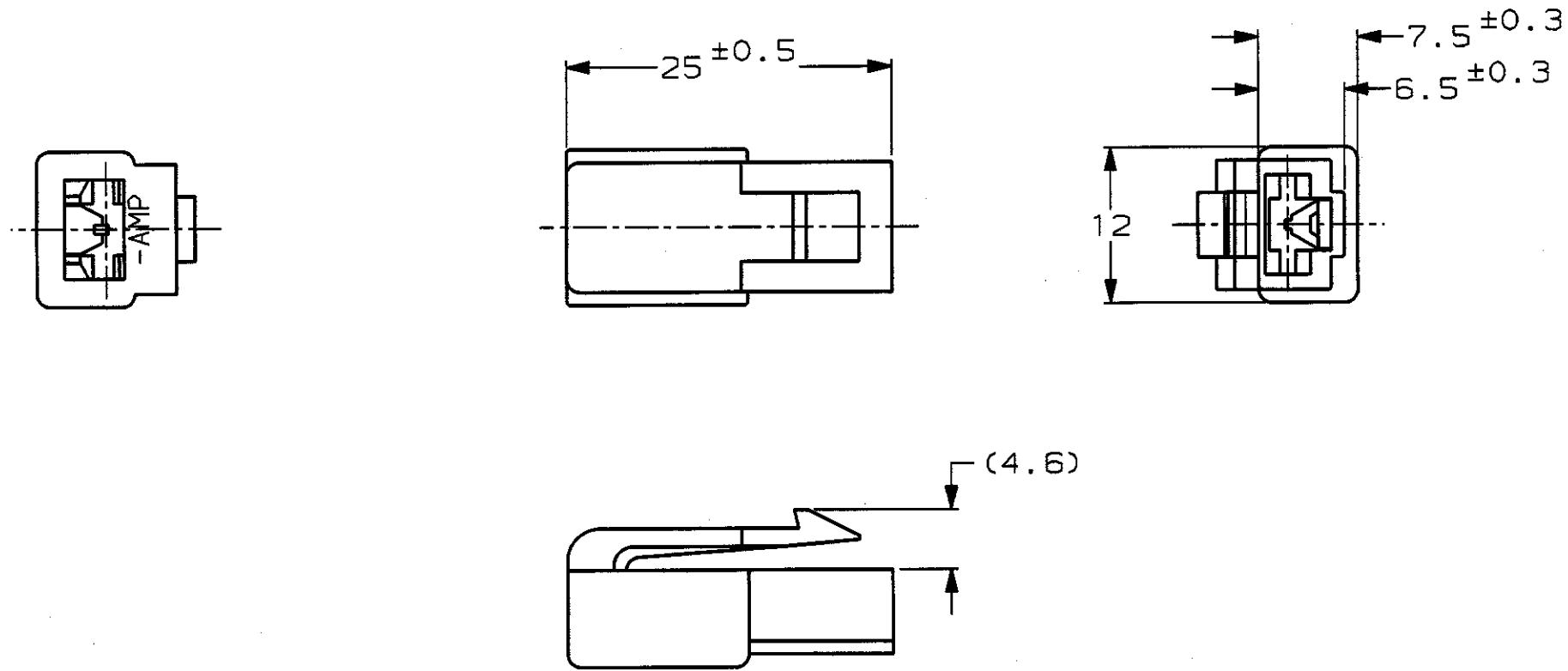


| LOC | | DIST | | REVISIONS | | | | | | |
|-----|--|------|--|-----------|-----|-------------|--------------|---------|-----|------|
| J | | | | P | LTR | DESCRIPTION | ECN | DATE | DWN | APVD |
| | | | | 0 | | RELEASED | FJ00-0603-99 | 08APR99 | TS | KB |



1. 嵌合する相手ハウジングは型番 ; 174195
2. 使用端子は型番 ; 170032, 170258, 170384

1. THE MATING CAP HOUSING PART NUMBER ; 174195
2. APPLICABLE CONTACT PART NUMBER ; 170032, 170258, 170384

| | |
|----------------|--------------------|
| RED 赤 | 174196-9 |
| ORANGE 橙 | 174196-8 |
| YELLOW 黄 | 174196-7 |
| GRAY 灰 | 174196-6 |
| BLUE 青 | 174196-5 |
| GREEN 緑 | 174196-4 |
| BROWN 茶 | 174196-3 |
| BLACK 黒 | 174196-2 |
| NATURAL 自然色 | 174196-1 |
| COLOR 色 | PARTS NUMBER 型番 |

| | | | | | | | |
|---|--|--|--|------------------------------------|--|---|--|
| THIS DRAWING IS A CONTROLLED DOCUMENT FOR AMP INCORPORATED. IT IS SUBJECT TO CHANGE AND THE CONTROLLING ENGINEERING ORGANIZATION SHOULD BE CONTACTED FOR THE LATEST REVISION. | | DWN T. SHINOHARA 08APR99 | | WIRE RANGE 包含電線断面積 | | INSULATION DIA 被覆外径 | |
| DIMENSIONS: 単位: 概 mm | | TOLERANCES UNLESS OTHERWISE SPECIFIED 一般公差 10% : ±0.2 30% : ±0.25 100% : ±0.3 ANGLE : ±3° | | CHK K. BETSUI 08APR99 | | AMP 日本エー・エム・ピー株式会社 Kawasaki, Japan | |
| MATERIAL 材料 66 NYLON 66 ナイロン | | COLOR 色 SEE TABLE 表参照 | | APVD K. BETSUI | | NAME 名称 1Pos PLUG HOUSING 250 SERIES HOUSING LANCE CONNECTOR | |
| | | | | PRODUCT SPEC 製品規格 108-5147-2 | | SIZE A3 | |
| | | | | APPLICATION SPEC 取付適用規格 — | | CAGE CODE 00779 | |
| | | | | WEIGHT 1g | | DRAWING NO 番号 C= 174196 | |
| | | | | CUSTOMER DRAWING | | RESTRICTED TO — | |
| | | | | SCALE 尺度 2:1 | | SHEET 1 OF 1 | |
| | | | | | | REV 0 | |

参考図面