

NOTES:

1. MATERIALS AND FINISHES:

SMA STR PLUG - STAINLESS STEEL, GOLD PLATING  
 CABLE - 0.141 CONFORMABLE

2. ELECTRICAL:

A. IMPEDANCE: 50 OHM

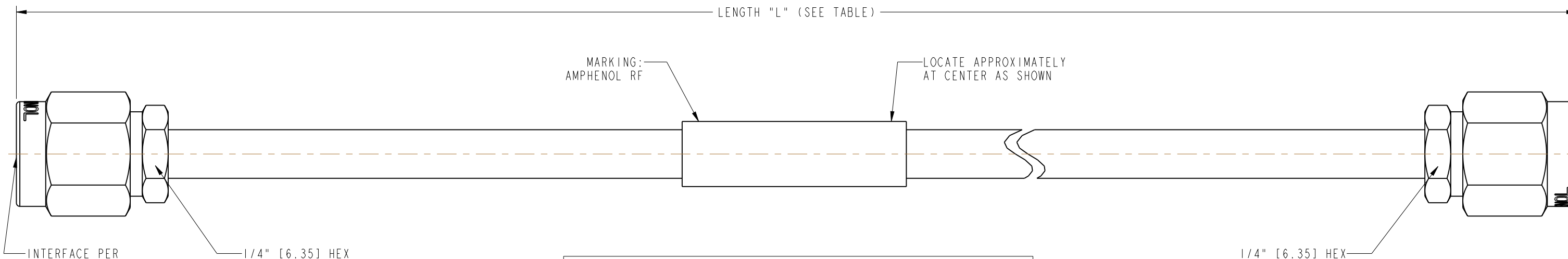
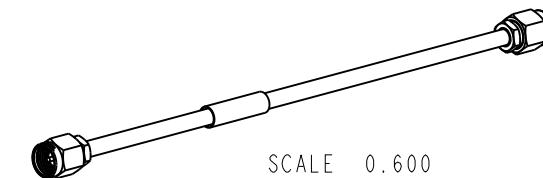
3. PACKAGING:

A. QUANTITY: SINGLE PACK  
 B. MARKING: BAG TO BE MARKED  
 "AMPHENOL RF, 95-902-450-XXX AND DATE CODE".

THIRD ANGLE PROJ.

REVISIONS

| REV | DESCRIPTION    | DATE     | ECO   | APPR |
|-----|----------------|----------|-------|------|
| A   | RELEASE TO MFG | 11/16/15 | 50824 | VK   |



| LENGTH TABLE           |                      |                               |                         |
|------------------------|----------------------|-------------------------------|-------------------------|
| PART NUMBER (IMPERIAL) | PART NUMBER (METRIC) | LENGTH "L" IN INCHES [METERS] | INSERTION LOSS MAX (dB) |
| 95-902-450-006         | -                    | 6.00 [0.152]                  | 0.45                    |
| 95-902-450-007         | -                    | 7.00 [0.178]                  | 0.50                    |
| 95-902-450-008         | -                    | 8.00 [0.203]                  | 0.55                    |
| 95-902-450-009         | -                    | 9.00 [0.229]                  | 0.60                    |
| -                      | 95-902-450M025       | 9.84 [0.250]                  | 0.65                    |
| 95-902-450-010         | -                    | 10.00 [0.254]                 | 0.70                    |
| 95-902-450-012         | -                    | 12.00 [0.305]                 | 0.80                    |
| 95-902-450-018         | -                    | 18.00 [0.457]                 | 1.15                    |
| -                      | 95-902-450M050       | 19.69 [0.500]                 | 1.20                    |
| 95-902-450-024         | -                    | 24.00 [0.610]                 | 1.45                    |
| 95-902-450-036         | -                    | 36.00 [0.914]                 | 2.15                    |
| -                      | 95-902-450M100       | 39.37 [1.000]                 | 2.30                    |

DESIGN REQUIREMENTS:

|  |  |
|--|--|
| <input checked="" type="checkbox"/> FREQUENCY : DC TO 18 GHz | <input checked="" type="checkbox"/> CONTINUITY       |
| <input checked="" type="checkbox"/> VSWR : 1.650 MAX.        | <input checked="" type="checkbox"/> HI-POT: 500 VRMS |
| <input checked="" type="checkbox"/> INS. LOSS : SEE TABLE    | <input type="checkbox"/> OTHER                       |

**CUSTOMER OUTLINE DRAWING**  
 ALL OTHER SHEETS ARE FOR INTERNAL USE ONLY

|   |                              |                        |                   |  |                                   |
|---|------------------------------|------------------------|-------------------|--|-----------------------------------|
| UNLESS OTHERWISE SPECIFIED, DIMENSIONS ARE IN INCHES AND TOLERANCES ARE:<br>2 PLACE DECIMAL 3 PLACE DECIMAL ANGLES<br>±.015 (0.381 mm) ±.005 (0.127 mm) ± 1°  | MATERIAL<br>SEE NOTES        | DRAWN<br>CLEMENT       | DATE<br>15-Oct-15 | TITLE<br>SMA STR PLUG TO SMA STR PLUG,<br>WITH ANTI-TORQUE BODY<br>USING 0.141 CONFORMABLE CABLE,<br>VARIOUS LENGTHS | Amphenol RF<br>www.amphenolrf.com |
|   | REFERENCE<br>EAR # 6826      | ENGINEER<br>CLEMENT    | DATE<br>15-Oct-15 |  |                                   |
| NOTICE - These drawings, specifications, or other data (1) are, and remain the property of Amphenol corp. (2) must be returned upon request; and (3) are confidential and not to be disclosed to any person other than those to whom they are given by Amphenol Corp. the furnishing of these drawings, specifications, or other data by Amphenol Corp., or to any other person to anyone for any purpose is not to be regarded by implication or otherwise in any manner licensing, granting rights to permitting such holder or any other person to manufacture, use or sell any product, process or design, patented or otherwise, that may in any way be related to or disclosed by said drawings, specifications, or other data. | CONFIGURATION LEVEL: In Work | APPROVED<br>K. CAPOZZI | DATE<br>11/9/15   | SCALE: 3.5:1.0 SHEET 2 OF 2  | DRAWING NO.95-902-450-XXX         |
|   | FINISH                       | CAD FILE               | DWG SIZE<br>B     | REV<br>A   | ITEM NO.95-902-450-XXX            |
|   |                              |                        |                   |  | PART NO.95-902-450-XXX            |