

# System connection - PLC-V8/FLK14/OUT



2295554

<https://www.phoenixcontact.com/us/products/2295554>

Please be informed that the data shown in this PDF document is generated from our Online Catalog. Please find the complete data in the user documentation. Our General Terms of Use for Downloads are valid.



V8 adapter for 8 x PLC-INTERFACE (6.2 mm), controller: PLC system cabling of output cards, connection 1: Screw connection 1x, connection 2: IDC/FLK pin strip 1x 14-position, connection 3: Plug-in connection (Can be snapped onto 8x PLC-INTERFACE terminals), number of channels: 8, control logic: plusschaltend

## Commercial Data

Item number	2295554
Packing unit	1 pc
Minimum order quantity	1 pc
Sales Key	C02
Product Key	CK21C1
Catalog Page	Page 427 (C-5-2019)
GTIN	4017918189143
Weight per Piece (including packing)	107 g
Weight per Piece (excluding packing)	107 g
Customs tariff number	85366990
Country of origin	DE

# System connection - PLC-V8/FLK14/OUT



2295554

<https://www.phoenixcontact.com/us/products/2295554>

## Technical Data

### Product properties

Product type	Controller board
Number of positions	14
No. of channels	8

### Insulation characteristics

Overvoltage category	II
Pollution degree	2

### Electrical properties

No. of channels	8
Max. permissible operating voltage	30 V DC
Nominal voltage $U_N$	24 V DC
Max. current carrying capacity per branch	1 A (per signal path)
Max. total current of voltage supply	3 A
Rated insulation voltage	50 V
Rated surge voltage	0.5 kV (Functional insulation)

### Supported controller SIEMENS S7-1500

Suitable I/O card	6ES7522-1BH00-0AB0
	6ES7522-1BH01-0AB0
	6ES7522-1BL00-0AB0
	6ES7522-1BL01-0AB0

### Supported controller SIEMENS S7-400

Suitable I/O card	6ES7422-1BL00-0AA0
	6ES7422-7BL00-0AB0

### Supported controller ALLEN-BRADLEY ControlLogix

Suitable I/O card	1756-OB32
	1756-OB16E

### Supported controller ALLEN-BRADLEY PLC 5

Suitable I/O card	1771 OBN
-------------------	----------

### Supported controller ALLEN-BRADLEY SLC 500

Suitable I/O card	1746 OB 32
-------------------	------------

### Supported controller HONEYWELL Experion PKS C200

Suitable I/O card	TC-ODD 321
-------------------	------------

### Supported controller MITSUBISHI MELSEC Q

Suitable I/O card	QY81P
	QY82P

# System connection - PLC-V8/FLK14/OUT



2295554

<https://www.phoenixcontact.com/us/products/2295554>

## Supported controller SIEMENS S7-300 / ET 200 M

Suitable I/O card	CPU 313C-2DP
	CPU 314C-2DP
	CPU 314C-2PtP
	6ES7322-1BH01-0AA0
	6ES7322-1BL00-0AA0
	6ES7323-1BH01-0AA0
	6ES7323-1BL00-0AA0
	CPU 313C
	CPU 313C-2PtP

## Supported controller ABB S800 I/O

Suitable I/O card	DO810
	DO840

## Supported controller EMERSON DeltaV

Suitable I/O card	VE4002S1T1B3
	VE4002S1T2B3
	VE4002S1T2B3 Series 2
	VE4002S1T2B6

## Supported controller GE-FANUC RX3i

Suitable I/O card	IC694MDL754
-------------------	-------------

## Supported controller MITSUBISHI MELSEC L

Suitable I/O card	LY41PT1P
	LY42PT1P

## Connection data

### Supply

Connection in acc. with standard	IEC / EN
Connection method	Screw connection
Stripping length	8 mm
Screw thread	M3
Number of connections	1
Conductor cross section solid	0.2 mm <sup>2</sup> ... 4 mm <sup>2</sup>
Conductor cross section flexible	0.2 mm <sup>2</sup> ... 2.5 mm <sup>2</sup>
Conductor cross section AWG	24 ... 12

### Controller level

Connection method	IDC/FLK pin strip
Number of connections	1
Number of positions	14
Pitch	2.54 mm

### Field level

# System connection - PLC-V8/FLK14/OUT



2295554

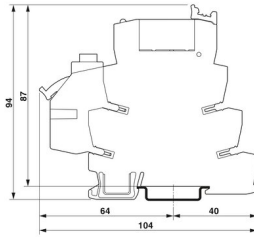
<https://www.phoenixcontact.com/us/products/2295554>

Connection method	Plug-in connection
Note	Can be snapped onto 8x PLC-INTERFACE terminals

## LED signaling

Status display	Green LED
Status display present	yes

## Dimensions

Dimensional drawing	
Width	50 mm
Height	39 mm
Depth	56 mm

## Material specifications

Flammability rating according to UL 94	V0
Housing insulation material	Polyamide 6.6 green

## Environmental and real-life conditions

### Ambient conditions

Degree of protection	IP20
Ambient temperature (operation)	-40 °C ... 70 °C
Ambient temperature (storage/transport)	-40 °C ... 70 °C

## Approval data

### UL, USA / Canada

Identification	Class I, Div. 2, Groups A, B, C, D T4
----------------	---------------------------------------

### UL, Canada

Identification	Class I, Zone 2, Ex nA IIC Gc T4 X
----------------	------------------------------------

### UL, USA

Identification	Class I, Zone 2, AEx nA IIC T4
----------------	--------------------------------

### Shipbuilding approval

Certificate	TAE0000196
-------------	------------

### DNV GL data

Temperature	D
-------------	---

# System connection - PLC-V8/FLK14/OUT



2295554

<https://www.phoenixcontact.com/us/products/2295554>

Humidity	A
Vibration	C
Enclosure	Required protection according to the Rules shall be provided upon installation on board

## Standards and regulations

Standards/regulations	IEC 60664
	DIN EN 50178

## Mounting

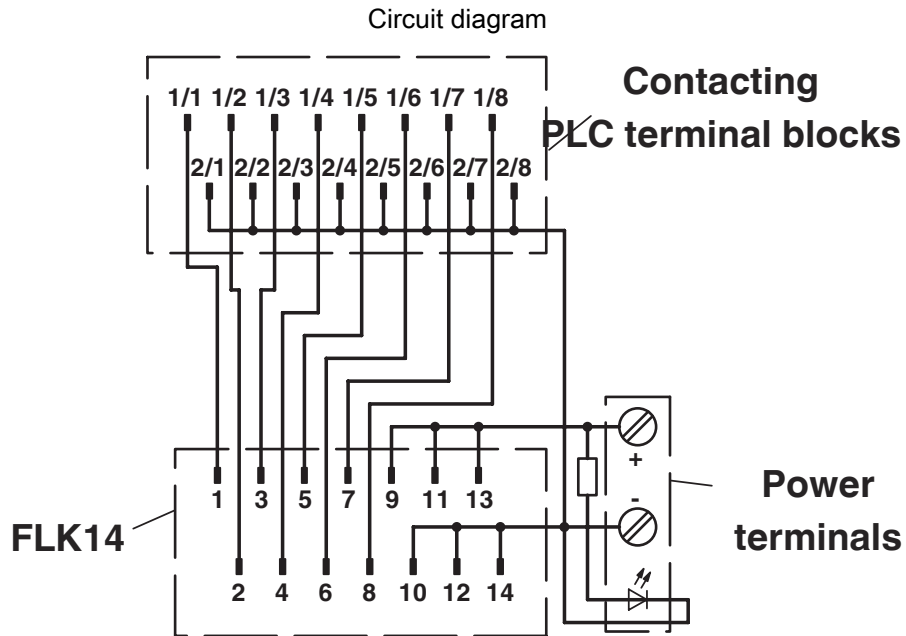
Mounting type	Plug-on assembly
Assembly instructions	in rows with zero spacing
Mounting position	any

# System connection - PLC-V8/FLK14/OUT

2295554

<https://www.phoenixcontact.com/us/products/2295554>

## Drawings

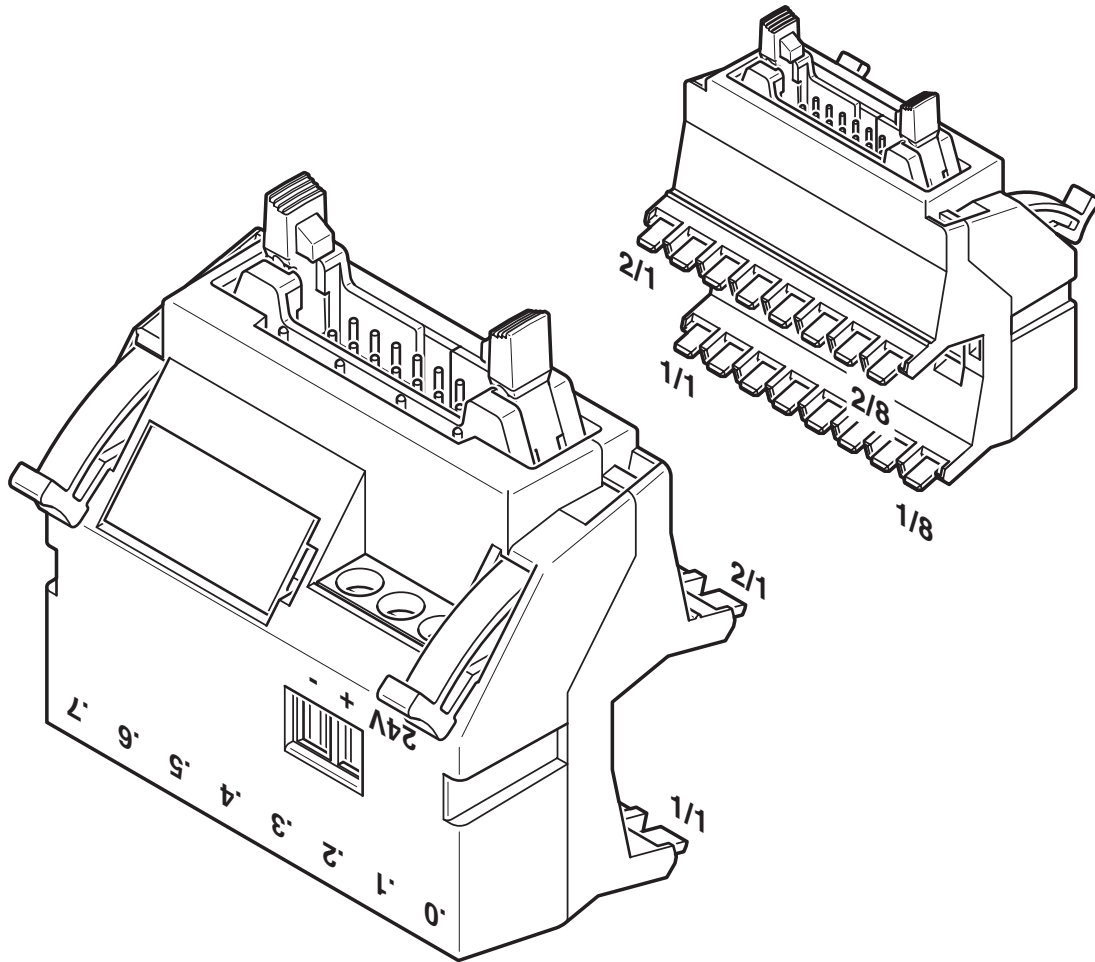


# System connection - PLC-V8/FLK14/OUT

2295554

<https://www.phoenixcontact.com/us/products/2295554>

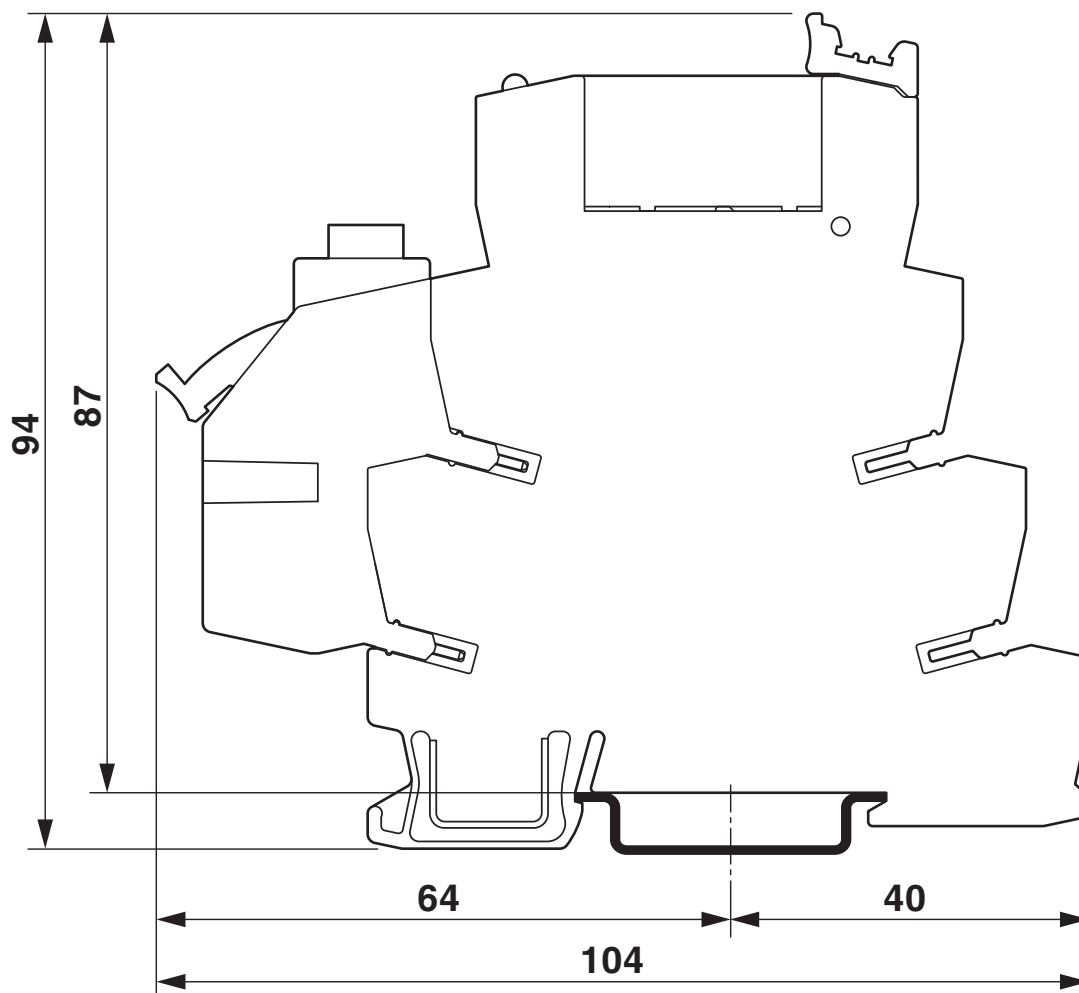
Schematic diagram



2295554

<https://www.phoenixcontact.com/us/products/2295554>

Dimensional drawing





# System connection - PLC-V8/FLK14/OUT




2295554

<https://www.phoenixcontact.com/us/products/2295554>

## Approvals

 <b>cUL Recognized</b> Approval ID: FILE E 238705				
	Nominal Voltage $U_N$	Nominal Current $I_N$	Cross Section AWG	Cross Section $\text{mm}^2$
	24 V	1 A	-	-


 <b>UL Recognized</b> Approval ID: FILE E 238705				
	Nominal Voltage $U_N$	Nominal Current $I_N$	Cross Section AWG	Cross Section $\text{mm}^2$
	24 V	1 A	-	-

 <b>DNV GL</b> Approval ID: TAE0000196				
	Nominal Voltage $U_N$	Nominal Current $I_N$	Cross Section AWG	Cross Section $\text{mm}^2$
			-	-

 <b>PRS</b> Approval ID: TE/2109/880590/16				
--	--	--	--	--

 <b>UL Listed</b> Approval ID: FILE E 172140				
--	--	--	--	--

 <b>cUL Listed</b> Approval ID: FILE E 172140				
---	--	--	--	--

 <b>cUL Listed</b> Approval ID: FILE E 199827				
---	--	--	--	--

 <b>UL Listed</b> Approval ID: FILE E 199827				
--	--	--	--	--

<b>cULus Recognized</b>				
-------------------------	--	--	--	--

<b>cULus Listed</b>				
---------------------	--	--	--	--

# System connection - PLC-V8/FLK14/OUT



2295554

<https://www.phoenixcontact.com/us/products/2295554>

**cULus Listed**

# System connection - PLC-V8/FLK14/OUT



2295554

<https://www.phoenixcontact.com/us/products/2295554>

## Classifications

### ECLASS

ECLASS-9.0	27141152
ECLASS-10.0.1	27141152
ECLASS-11.0	27141152

### ETIM

ETIM 8.0	EC002780
----------	----------

### UNSPSC

UNSPSC 21.0	39121400
-------------	----------

# System connection - PLC-V8/FLK14/OUT



2295554

<https://www.phoenixcontact.com/us/products/2295554>

## Environmental Product Compliance

REACH SVHC	Lead 7439-92-1
	Hexahydromethylphthalic anhydride
China RoHS	Environmentally Friendly Use Period = 50 years
	For information on hazardous substances, refer to the manufacturer's declaration available under "Downloads"

# System connection - PLC-V8/FLK14/OUT

2295554

<https://www.phoenixcontact.com/us/products/2295554>

## Mandatory Accessories

### Relay Module

Relay Module - PLC-RPT- 24DC/21 - 2900299

<https://www.phoenixcontact.com/us/products/2900299>



PLC-INTERFACE, consisting of PLC-BPT.../21 basic terminal block with Push-in connection and plug-in miniature relay with power contact, for mounting on NS 35/7,5 DIN rail, 1 changeover contact, input voltage 24 V DC

---

### Relay Module

Relay Module - PLC-RSC- 24DC/21 - 2966171

<https://www.phoenixcontact.com/us/products/2966171>



PLC-INTERFACE, consisting of basic terminal block PLC-BSC.../21 with screw connection and plug-in miniature relay with power contact, for assembly on DIN rail NS 35/7,5, 1 changeover contact, input voltage 24 V DC

# System connection - PLC-V8/FLK14/OUT

2295554

<https://www.phoenixcontact.com/us/products/2295554>

## Relay Module

Relay Module - PLC-RPT- 24DC/21AU - 2900306

<https://www.phoenixcontact.com/us/products/2900306>



PLC-INTERFACE, consisting of PLC-BPT.../21 basic terminal block with Push-in connection and plug-in miniature relay with multi-layer gold contact, for mounting on DIN rail NS 35/7,5, 1 changeover contact, input voltage 24 V DC

---

## Relay Module

Relay Module - PLC-RSC- 24DC/21AU - 2966265

<https://www.phoenixcontact.com/us/products/2966265>



PLC-INTERFACE, consisting of PLC-BSC.../21 basic terminal block with screw connection and plug-in miniature relay with multi-layer gold contact, for mounting on DIN rail NS 35/7,5, 1 changeover contact, input voltage 24 V DC

# System connection - PLC-V8/FLK14/OUT

2295554

<https://www.phoenixcontact.com/us/products/2295554>

## Relay Module

Relay Module - PLC-RPT- 24UC/21AU - 2900307

<https://www.phoenixcontact.com/us/products/2900307>



PLC-INTERFACE, consisting of PLC-BPT.../21 basic terminal block with Push-in connection and plug-in miniature relay with multi-layer gold contact, for mounting on DIN rail NS 35/7,5, 1 changeover contact, input voltage 24 V AC/DC

---

## Relay Module

Relay Module - PLC-RSC- 24UC/21AU - 2966278

<https://www.phoenixcontact.com/us/products/2966278>



PLC-INTERFACE, consisting of PLC-BSC.../21 basic terminal block with screw connection and plug-in miniature relay with multi-layer gold contact, for mounting on DIN rail NS 35/7,5, 1 changeover contact, input voltage 24 V AC/DC

# System connection - PLC-V8/FLK14/OUT

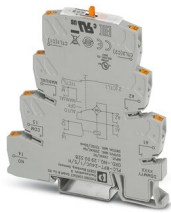
2295554

<https://www.phoenixcontact.com/us/products/2295554>

## Switch

Switch - PLC-RPT- 24UC/ 1/S/H - 2900328

<https://www.phoenixcontact.com/us/products/2900328>



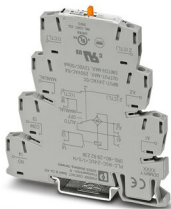
PLC-INTERFACE with switch (operation by hand) and integrated power contact relay for the "Manual, Zero and Automatic" functions, with push-in connection, for mounting on DIN rail NS 35/7.5, one N/O contact, input voltage 24 V AC/DC

---

## Switch

Switch - PLC-RSC- 24UC/ 1/S/H - 2982236

<https://www.phoenixcontact.com/us/products/2982236>



PLC-INTERFACE with switch (operation by hand) for the "Manual, Zero, and Automatic" functions, with screw connection and integrated power contact relay, for mounting on DIN rail NS 35/7,5, 1 N/O contact, input voltage 24 V AC/DC



# System connection - PLC-V8/FLK14/OUT

2295554

<https://www.phoenixcontact.com/us/products/2295554>

## Solid-state relay module

Solid-state relay module - PLC-OPT- 24DC/ 24DC/2 - 2900364

<https://www.phoenixcontact.com/us/products/2900364>



PLC-INTERFACE, consisting of PLC-BPT.../21 basic terminal block with push-in connection and plug-in miniature solid-state relay, for mounting on DIN rail NS 35/7,5, 1 N/O contact, input: 24 V DC, output: 3 - 33 V DC/3 A

---

## Solid-state relay module

Solid-state relay module - PLC-OSC- 24DC/ 24DC/ 2 - 2966634

<https://www.phoenixcontact.com/us/products/2966634>



PLC-INTERFACE, consisting of PLC-BSC.../21 basic terminal block with screw connection and plug-in miniature solid-state relay, for mounting on DIN rail NS 35/7,5, 1 N/O contact, input: 24 V DC, output: 3 - 33 V DC/3 A

# System connection - PLC-V8/FLK14/OUT

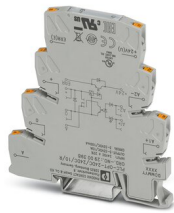
2295554

<https://www.phoenixcontact.com/us/products/2295554>

## Solid-state relay module

Solid-state relay module - PLC-OPT- 24DC/ 24DC/10/R - 2900398

<https://www.phoenixcontact.com/us/products/2900398>



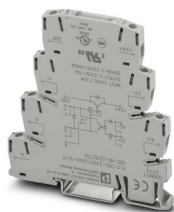
PLC-INTERFACE with confirmation contact, consisting of basic terminal block with push-in connection and integrated miniature solid-state relay, for mounting on DIN rail NS 35/7,5, 1 N/O contact, input: 24 V DC, output: 3 - 33 V DC/10 A

---

## Solid-state relay module

Solid-state relay module - PLC-OSC- 24DC/ 24DC/ 10/R - 2982702

<https://www.phoenixcontact.com/us/products/2982702>



PLC-INTERFACE with checkback contact, consisting of basic terminal block with screw connection and integrated miniature solid-state relay, for mounting on DIN rail NS 35/7,5, 1 N/O contact, input: 24 V DC, output: 3 ... 33 V DC/10 A

# System connection - PLC-V8/FLK14/OUT

2295554

<https://www.phoenixcontact.com/us/products/2295554>

## Solid-state relay module

Solid-state relay module - PLC-OPT- 24DC/230AC/1 - 2900369

<https://www.phoenixcontact.com/us/products/2900369>



PLC-INTERFACE, consisting of PLC-BPT.../21 basic terminal block with push-in connection and plug-in miniature solid-state relay, for mounting on DIN rail NS 35/7,5, 1 N/O contact, input: 24 V DC, output: 24 - 253 V AC/0.75 A

---

## Solid-state relay module

Solid-state relay module - PLC-OSC- 24DC/230AC/ 1 - 2967840

<https://www.phoenixcontact.com/us/products/2967840>



PLC-INTERFACE, consisting of PLC-BSC.../21 basic terminal block with screw connection and plug-in miniature solid-state relay, for mounting on DIN rail NS 35/7,5, 1 N/O contact, input: 24 V DC, output: 24 - 253 V AC/0.75 A

# System connection - PLC-V8/FLK14/OUT

2295554

<https://www.phoenixcontact.com/us/products/2295554>

## Solid-state relay module

Solid-state relay module - PLC-OPT- 24DC/300DC/1 - 2900383

<https://www.phoenixcontact.com/us/products/2900383>



PLC-INTERFACE, integrated solid-state relay, with push-in connection, for mounting on NS 35/7,5 DIN rails, input: 24 V DC, output: 12 - 300 V DC/1 A

---

## Solid-state relay module

Solid-state relay module - PLC-OSC- 24DC/300DC/ 1 - 2980678

<https://www.phoenixcontact.com/us/products/2980678>



PLC-INTERFACE, integrated solid-state relay, with screw connection, for mounting on NS 35/7,5 DIN rails, input: 24 V DC, output: 12 - 300 V DC/1 A

# System connection - PLC-V8/FLK14/OUT

2295554

<https://www.phoenixcontact.com/us/products/2295554>

## Solid-state relay module

Solid-state relay module - PLC-OPT- 24DC/ 48DC/100 - 2900352

<https://www.phoenixcontact.com/us/products/2900352>



PLC-INTERFACE, consisting of PLC-BPT.../21 basic terminal block with push-in connection and plug-in miniature solid-state relay, for mounting on DIN rail NS 35/7,5, 1 N/O contact, input: 24 V DC, output: 3 - 48 V DC/100 mA

---

## Solid-state relay module

Solid-state relay module - PLC-OSC- 24DC/ 48DC/100 - 2966728

<https://www.phoenixcontact.com/us/products/2966728>



PLC-INTERFACE, consisting of PLC-BSC.../21 basic terminal block with screw connection and plug-in miniature solid-state relay, for mounting on DIN rail NS 35/7,5, 1 N/O contact, input: 24 V DC, output: 3 - 48 V DC/100 mA

# System connection - PLC-V8/FLK14/OUT

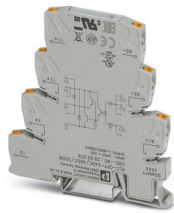
2295554

<https://www.phoenixcontact.com/us/products/2295554>

## Solid-state relay module

Solid-state relay module - PLC-OPT- 24DC/ 48DC/500/W - 2900378

<https://www.phoenixcontact.com/us/products/2900378>



PLC-INTERFACE with electronic changeover contact, consisting of PLC-BPT.../21 basic terminal block with Push-in connection and integrated miniature solid-state relay, for mounting on DIN rail NS 35/7,5, 1 changeover contact, input: 24 V DC, output: 3-48 V DC/500 mA

---

## Solid-state relay module

Solid-state relay module - PLC-OSC- 24DC/ 48DC/500/W - 2980636

<https://www.phoenixcontact.com/us/products/2980636>



PLC-INTERFACE with electronic changeover contact, consisting of PLC-BSC.../21 basic terminal block with screw connection and integrated miniature solid-state relay, for mounting on NS 35/7,5 DIN rail, 1 changeover contact, input: 24 V DC, output: 3 V DC ... 48 V DC/500 mA

# System connection - PLC-V8/FLK14/OUT

2295554

<https://www.phoenixcontact.com/us/products/2295554>

## Feed-through terminal block

Feed-through terminal block - PLC-VT - 2296870

<https://www.phoenixcontact.com/us/products/2296870>



VARIOFACE feed-through terminal block (2-conductor screw connection), for PLC-INTERFACE universal series

---

## Feed-through terminal block

Feed-through terminal block - PLC-VT/LA - 2296854

<https://www.phoenixcontact.com/us/products/2296854>



VARIOFACE feed-through terminal block (2-conductor screw connection), for PLC-INTERFACE universal series, with 24 V DC LED display

# System connection - PLC-V8/FLK14/OUT

2295554

<https://www.phoenixcontact.com/us/products/2295554>

## Relay Module

Relay Module - PLC-RPT- 24DC/ 1/ACT - 2900312

<https://www.phoenixcontact.com/us/products/2900312>



PLC-INTERFACE for output functions, consisting of PLC-BPT.../ACT basic terminal block with push-in connection and plug-in miniature relay with power contact, for mounting on DIN rail NS 35/7,5, 1 N/O contact, input voltage 24 V DC

---

## Relay Module

Relay Module - PLC-RSC- 24DC/ 1/ACT - 2966210

<https://www.phoenixcontact.com/us/products/2966210>



PLC-INTERFACE for output functions, consisting of PLC-BSC.../ACT basic terminal block with screw connection and plug-in miniature relay with power contact, for mounting on DIN rail NS 35/7,5, 1 N/O contact, input voltage 24 V DC



# System connection - PLC-V8/FLK14/OUT

2295554

<https://www.phoenixcontact.com/us/products/2295554>

## Solid-state relay module

Solid-state relay module - PLC-OPT- 24DC/ 24DC/2/ACT - 2900376

<https://www.phoenixcontact.com/us/products/2900376>



PLC-INTERFACE for output functions, consisting of PLC-BPT.../ACT basic terminal block with push-in connection and plug-in miniature solid-state relay, for mounting on DIN rail NS 35/7,5, 1 N/O contact, input: 24 V DC, output: 3 - 33 V DC/3 A

---

## Solid-state relay module

Solid-state relay module - PLC-OSC- 24DC/ 24DC/ 2/ACT - 2966676

<https://www.phoenixcontact.com/us/products/2966676>



PLC-INTERFACE for output functions, consisting of PLC-BSC.../ACT basic terminal block with screw connection and plug-in miniature solid-state relay, for mounting on DIN rail NS 35/7,5, 1 N/O contact, input: 24 V DC, output: 3 - 33 V DC/3 A

# System connection - PLC-V8/FLK14/OUT

2295554

<https://www.phoenixcontact.com/us/products/2295554>

## Solid-state relay module

Solid-state relay module - PLC-OSC- 24DC/230AC/ 1/ACT - 2967947

<https://www.phoenixcontact.com/us/products/2967947>



PLC-INTERFACE for output functions, consisting of PLC-BSC.../ACT basic terminal block with screw connection and plug-in miniature solid-state relay, for mounting on DIN rail NS 35/7,5, 1 N/O contact, input: 24 V DC, output: 24 ... 253 V AC/0.75 A

---

## Feed-through terminal block

Feed-through terminal block - PLC-VT/ACT - 2295567

<https://www.phoenixcontact.com/us/products/2295567>



VARIOFACE feed-through terminal block (3-conductor screw connection), for PLC-INTERFACE actuator series

# System connection - PLC-V8/FLK14/OUT

2295554

<https://www.phoenixcontact.com/us/products/2295554>

## Feed-through terminal block

Feed-through terminal block - PLC-VT/ACT/LA - 2296867

<https://www.phoenixcontact.com/us/products/2296867>



VARIOFACE feed-through terminal block (3-conductor screw connection), for PLC-INTERFACE actuator series, with 24 V DC LED display

---

## Accessories

### Cable

Cable - FLK 14/EZ-DR/ 30/KONFEK - 2295729

<https://www.phoenixcontact.com/us/products/2295729>



Round cable set; connection 1: IDC/FLK socket strip (1x 14-position); connection 2: IDC/FLK socket strip (1x 14-position); cable length: 0.3 m

# System connection - PLC-V8/FLK14/OUT

2295554

<https://www.phoenixcontact.com/us/products/2295554>

## Cable

Cable - FLK 14/EZ-DR/ 50/KONFEK - 2288901

<https://www.phoenixcontact.com/us/products/2288901>



Round cable set; connection 1: IDC/FLK socket strip (1x 14-position); connection 2: IDC/FLK socket strip (1x 14-position); cable length: 0.5 m

---

## Cable

Cable - FLK 14/EZ-DR/ 100/KONFEK - 2288914

<https://www.phoenixcontact.com/us/products/2288914>



Round cable set; connection 1: IDC/FLK socket strip (1x 14-position); connection 2: IDC/FLK socket strip (1x 14-position); cable length: 1 m

# System connection - PLC-V8/FLK14/OUT

2295554

<https://www.phoenixcontact.com/us/products/2295554>

## Cable

Cable - FLK 14/EZ-DR/ 150/KONFEK - 2288927

<https://www.phoenixcontact.com/us/products/2288927>



Round cable set; connection 1: IDC/FLK socket strip (1x 14-position); connection 2: IDC/FLK socket strip (1x 14-position); cable length: 1.5 m

---

## Cable

Cable - FLK 14/EZ-DR/ 200/KONFEK - 2288930

<https://www.phoenixcontact.com/us/products/2288930>



Round cable set; connection 1: IDC/FLK socket strip (1x 14-position); connection 2: IDC/FLK socket strip (1x 14-position); cable length: 2 m

# System connection - PLC-V8/FLK14/OUT

2295554

<https://www.phoenixcontact.com/us/products/2295554>

## Cable

Cable - FLK 14/EZ-DR/ 250/KONFEK - 2288943

<https://www.phoenixcontact.com/us/products/2288943>



Round cable set; connection 1: IDC/FLK socket strip (1x 14-position); connection 2: IDC/FLK socket strip (1x 14-position); cable length: 2.5 m

---

## Cable

Cable - FLK 14/EZ-DR/ 300/KONFEK - 2288956

<https://www.phoenixcontact.com/us/products/2288956>



Round cable set; connection 1: IDC/FLK socket strip (1x 14-position); connection 2: IDC/FLK socket strip (1x 14-position); cable length: 3 m

# System connection - PLC-V8/FLK14/OUT

2295554

<https://www.phoenixcontact.com/us/products/2295554>

## Cable

Cable - FLK 14/EZ-DR/ 350/KONFEK - 2288969

<https://www.phoenixcontact.com/us/products/2288969>



Round cable set; connection 1: IDC/FLK socket strip (1x 14-position); connection 2: IDC/FLK socket strip (1x 14-position); cable length: 3.5 m

---

## Cable

Cable - FLK 14/EZ-DR/ 400/KONFEK - 2288972

<https://www.phoenixcontact.com/us/products/2288972>



Round cable set; connection 1: IDC/FLK socket strip (1x 14-position); connection 2: IDC/FLK socket strip (1x 14-position); cable length: 4 m

# System connection - PLC-V8/FLK14/OUT

2295554

<https://www.phoenixcontact.com/us/products/2295554>

## Cable

Cable - FLK 14/EZ-DR/ 500/KONFEK - 2290834

<https://www.phoenixcontact.com/us/products/2290834>



Round cable set; connection 1: IDC/FLK socket strip (1x 14-position); connection 2: IDC/FLK socket strip (1x 14-position); cable length: 5 m

---

## Cable

Cable - FLK 14/EZ-DR/ 600/KONFEK - 2290863

<https://www.phoenixcontact.com/us/products/2290863>



Round cable set; connection 1: IDC/FLK socket strip (1x 14-position); connection 2: IDC/FLK socket strip (1x 14-position); cable length: 6 m



# System connection - PLC-V8/FLK14/OUT



2295554

<https://www.phoenixcontact.com/us/products/2295554>

## Cable

Cable - FLK 14/EZ-DR/ 800/KONFEK - 2299563

<https://www.phoenixcontact.com/us/products/2299563>



Round cable set; connection 1: IDC/FLK socket strip (1x 14-position); connection 2: IDC/FLK socket strip (1x 14-position); cable length: 8 m

---

## Cable

Cable - FLK 14/EZ-DR/1000/KONFEK - 2299576

<https://www.phoenixcontact.com/us/products/2299576>



Round cable set; connection 1: IDC/FLK socket strip (1x 14-position); connection 2: IDC/FLK socket strip (1x 14-position); cable length: 10 m

# System connection - PLC-V8/FLK14/OUT

2295554

<https://www.phoenixcontact.com/us/products/2295554>

## Cable

Cable - FLK 14/EZ-DR/HF/ 50/KONFEK - 2305952

<https://www.phoenixcontact.com/us/products/2305952>



Assembled, halogen-free round cable; connection 1: IDC/FLK socket strip (1x 14-position); connection 2: IDC/FLK socket strip (1x 14-position); cable length: 0.5 m

---

## Cable

Cable - FLK 14/EZ-DR/HF/ 100/KONFEK - 2305965

<https://www.phoenixcontact.com/us/products/2305965>



Assembled, halogen-free round cable; connection 1: IDC/FLK socket strip (1x 14-position); connection 2: IDC/FLK socket strip (1x 14-position); cable length: 1 m

# System connection - PLC-V8/FLK14/OUT

2295554

<https://www.phoenixcontact.com/us/products/2295554>

## Cable

Cable - FLK 14/EZ-DR/HF/ 150/KONFEK - 2305978

<https://www.phoenixcontact.com/us/products/2305978>



Assembled, halogen-free round cable; connection 1: IDC/FLK socket strip (1x 14-position); connection 2: IDC/FLK socket strip (1x 14-position); cable length: 1.5 m

---

## Cable

Cable - FLK 14/EZ-DR/HF/ 200/KONFEK - 2305981

<https://www.phoenixcontact.com/us/products/2305981>



Assembled, halogen-free round cable; connection 1: IDC/FLK socket strip (1x 14-position); connection 2: IDC/FLK socket strip (1x 14-position); cable length: 2 m

# System connection - PLC-V8/FLK14/OUT

2295554

<https://www.phoenixcontact.com/us/products/2295554>

## Cable

Cable - FLK 14/EZ-DR/HF/ 250/KONFEK - 2305994

<https://www.phoenixcontact.com/us/products/2305994>



Assembled, halogen-free round cable; connection 1: IDC/FLK socket strip (1x 14-position); connection 2: IDC/FLK socket strip (1x 14-position); cable length: 2.5 m

---

## Cable

Cable - FLK 14/EZ-DR/HF/ 300/KONFEK - 2304759

<https://www.phoenixcontact.com/us/products/2304759>



Assembled, halogen-free round cable; connection 1: IDC/FLK socket strip (1x 14-position); connection 2: IDC/FLK socket strip (1x 14-position); cable length: 3 m

# System connection - PLC-V8/FLK14/OUT

2295554

<https://www.phoenixcontact.com/us/products/2295554>

## Cable

Cable - FLK 14/EZ-DR/HF/ 400/KONFEK - 2304762

<https://www.phoenixcontact.com/us/products/2304762>



Assembled, halogen-free round cable; connection 1: IDC/FLK socket strip (1x 14-position); connection 2: IDC/FLK socket strip (1x 14-position); cable length: 4 m

---

## Cable

Cable - FLK 14/EZ-DR/HF/ 500/KONFEK - 2304717

<https://www.phoenixcontact.com/us/products/2304717>



Assembled, halogen-free round cable; connection 1: IDC/FLK socket strip (1x 14-position); connection 2: IDC/FLK socket strip (1x 14-position); cable length: 5 m

# System connection - PLC-V8/FLK14/OUT

2295554

<https://www.phoenixcontact.com/us/products/2295554>

## Cable

Cable - FLK 14/EZ-DR/HF/ 600/KONFEK - 2306003

<https://www.phoenixcontact.com/us/products/2306003>



Assembled, halogen-free round cable; connection 1: IDC/FLK socket strip (1x 14-position); connection 2: IDC/FLK socket strip (1x 14-position); cable length: 6 m

---

## Cable

Cable - FLK 14-EZ-DR-HF/... - 2314040

<https://www.phoenixcontact.com/us/products/2314040>



Assembled, halogen-free round cable; connection 1: IDC/FLK socket strip (1x 14-position); connection 2: IDC/FLK socket strip (1x 14-position); cable length: variable

# System connection - PLC-V8/FLK14/OUT



2295554

<https://www.phoenixcontact.com/us/products/2295554>

## Cable

Cable - FLK 14/EZ-DR/ 50/KONFEK/S - 2296977

<https://www.phoenixcontact.com/us/products/2296977>



Assembled shielded round cable; connection 1: IDC/FLK socket strip (1x 14-position); connection 2: IDC/FLK socket strip (1x 14-position) (The braided shield is routed to a separate cable end.); cable length: 0.5 m

---

## Cable

Cable - FLK 14/EZ-DR/ 100/KONFEK/S - 2296980

<https://www.phoenixcontact.com/us/products/2296980>



Assembled shielded round cable; connection 1: IDC/FLK socket strip (1x 14-position); connection 2: IDC/FLK socket strip (1x 14-position) (The braided shield is routed to a separate cable end.); cable length: 1 m

# System connection - PLC-V8/FLK14/OUT

2295554

<https://www.phoenixcontact.com/us/products/2295554>

## Cable

Cable - FLK 14/EZ-DR/ 120/KONFEK/S - 2299071

<https://www.phoenixcontact.com/us/products/2299071>



Assembled shielded round cable; connection 1: IDC/FLK socket strip (1x 14-position); connection 2: IDC/FLK socket strip (1x 14-position) (The braided shield is routed to a separate cable end.); cable length: 1.2 m

---

## Cable

Cable - FLK 14/EZ-DR/ 150/KONFEK/S - 2296993

<https://www.phoenixcontact.com/us/products/2296993>



Assembled shielded round cable; connection 1: IDC/FLK socket strip (1x 14-position); connection 2: IDC/FLK socket strip (1x 14-position) (The braided shield is routed to a separate cable end.); cable length: 1.5 m



# System connection - PLC-V8/FLK14/OUT



2295554

<https://www.phoenixcontact.com/us/products/2295554>

## Cable

Cable - FLK 14/EZ-DR/ 180/KONFEK/S - 2299084

<https://www.phoenixcontact.com/us/products/2299084>



Assembled shielded round cable; connection 1: IDC/FLK socket strip (1x 14-position); connection 2: IDC/FLK socket strip (1x 14-position) (The braided shield is routed to a separate cable end.); cable length: 1.8 m

---

## Cable

Cable - FLK 14/EZ-DR/ 200/KONFEK/S - 2297002

<https://www.phoenixcontact.com/us/products/2297002>



Assembled shielded round cable; connection 1: IDC/FLK socket strip (1x 14-position); connection 2: IDC/FLK socket strip (1x 14-position) (The braided shield is routed to a separate cable end.); cable length: 2 m

# System connection - PLC-V8/FLK14/OUT



2295554

<https://www.phoenixcontact.com/us/products/2295554>

## Cable

Cable - FLK 14/EZ-DR/ 300/KONFEK/S - 2299013

<https://www.phoenixcontact.com/us/products/2299013>



Assembled shielded round cable; connection 1: IDC/FLK socket strip (1x 14-position); connection 2: IDC/FLK socket strip (1x 14-position) (The braided shield is routed to a separate cable end.); cable length: 3 m

---

## Cable

Cable - FLK 14/EZ-DR/ 400/KONFEK/S - 2299026

<https://www.phoenixcontact.com/us/products/2299026>



Assembled shielded round cable; connection 1: IDC/FLK socket strip (1x 14-position); connection 2: IDC/FLK socket strip (1x 14-position) (The braided shield is routed to a separate cable end.); cable length: 4 m

# System connection - PLC-V8/FLK14/OUT



2295554

<https://www.phoenixcontact.com/us/products/2295554>

## Cable

Cable - FLK 14/EZ-DR/ 600/KONFEK/S - 2299039

<https://www.phoenixcontact.com/us/products/2299039>



Assembled shielded round cable; connection 1: IDC/FLK socket strip (1x 14-position); connection 2: IDC/FLK socket strip (1x 14-position) (The braided shield is routed to a separate cable end.); cable length: 6 m

---

## Cable

Cable - FLK 14/EZ-DR/ 800/KONFEK/S - 2299042

<https://www.phoenixcontact.com/us/products/2299042>



Assembled shielded round cable; connection 1: IDC/FLK socket strip (1x 14-position); connection 2: IDC/FLK socket strip (1x 14-position) (The braided shield is routed to a separate cable end.); cable length: 8 m

# System connection - PLC-V8/FLK14/OUT

2295554

<https://www.phoenixcontact.com/us/products/2295554>

## Cable

Cable - FLK 14/EZ-DR/1000/KONFEK/S - 2299055

<https://www.phoenixcontact.com/us/products/2299055>



Assembled shielded round cable; connection 1: IDC/FLK socket strip (1x 14-position); connection 2: IDC/FLK socket strip (1x 14-position) (The braided shield is routed to a separate cable end.); cable length: 10 m

---

## Cable

Cable - FLK 50/4X14/EZ-DR/ 50/KONFEK - 2296689

<https://www.phoenixcontact.com/us/products/2296689>



Round cable set; connection 1: IDC/FLK socket strip (1x 50-position); connection 2: IDC/FLK socket strip (4x 14-position); cable length: 0.5 m

# System connection - PLC-V8/FLK14/OUT

2295554

<https://www.phoenixcontact.com/us/products/2295554>

## Cable

Cable - FLK 50/4X14/EZ-DR/ 100/KONFEK - 2296692

<https://www.phoenixcontact.com/us/products/2296692>



Round cable set; connection 1: IDC/FLK socket strip (1x 50-position); connection 2: IDC/FLK socket strip (4x 14-position); cable length: 1 m

---

## Cable

Cable - FLK 50/4X14/EZ-DR/ 150/KONFEK - 2296702

<https://www.phoenixcontact.com/us/products/2296702>



Round cable set; connection 1: IDC/FLK socket strip (1x 50-position); connection 2: IDC/FLK socket strip (4x 14-position); cable length: 1.5 m

# System connection - PLC-V8/FLK14/OUT

2295554

<https://www.phoenixcontact.com/us/products/2295554>

## Cable

Cable - FLK 50/4X14/EZ-DR/ 200/KONFEK - 2296715

<https://www.phoenixcontact.com/us/products/2296715>



Round cable set; connection 1: IDC/FLK socket strip (1x 50-position); connection 2: IDC/FLK socket strip (4x 14-position); cable length: 2 m

---

## Cable

Cable - FLK 50/4X14/EZ-DR/ 250/KONFEK - 2305402

<https://www.phoenixcontact.com/us/products/2305402>



Round cable set; connection 1: IDC/FLK socket strip (1x 50-position); connection 2: IDC/FLK socket strip (4x 14-position); cable length: 2.5 m

# System connection - PLC-V8/FLK14/OUT

2295554

<https://www.phoenixcontact.com/us/products/2295554>

## Cable

Cable - FLK 50/4X14/EZ-DR/ 300/KONFEK - 2296728

<https://www.phoenixcontact.com/us/products/2296728>



Round cable set; connection 1: IDC/FLK socket strip (1x 50-position); connection 2: IDC/FLK socket strip (4x 14-position); cable length: 3 m

---

## Cable

Cable - FLK 50/4X14/EZ-DR/ 400/KONFEK - 2296731

<https://www.phoenixcontact.com/us/products/2296731>



Round cable set; connection 1: IDC/FLK socket strip (1x 50-position); connection 2: IDC/FLK socket strip (4x 14-position); cable length: 4 m

# System connection - PLC-V8/FLK14/OUT

2295554

<https://www.phoenixcontact.com/us/products/2295554>

## Cable

Cable - FLK 50/4X14/EZ-DR/ 600/KONFEK - 2296744

<https://www.phoenixcontact.com/us/products/2296744>



Round cable set; connection 1: IDC/FLK socket strip (1x 50-position); connection 2: IDC/FLK socket strip (4x 14-position); cable length: 6 m

---

## Cable

Cable - FLK 50/4X14/EZ-DR/1000/KONFEK - 2296773

<https://www.phoenixcontact.com/us/products/2296773>



Round cable set; connection 1: IDC/FLK socket strip (1x 50-position); connection 2: IDC/FLK socket strip (4x 14-position); cable length: 10 m



# System connection - PLC-V8/FLK14/OUT



2295554

<https://www.phoenixcontact.com/us/products/2295554>

## Cable

Cable - FLK 50-4X14-EZ-DR ... - 2302405

<https://www.phoenixcontact.com/us/products/2302405>



Round cable set; connection 1: IDC/FLK socket strip (1x 50-position); connection 2: IDC/FLK socket strip (4x 14-position); cable length: variable

---

## Cable

Cable - FLK 50-4X14-EZ-DR-S ... - 2302447

<https://www.phoenixcontact.com/us/products/2302447>



Assembled shielded round cable; connection 1: IDC/FLK socket strip (1x 50-position); connection 2: IDC/FLK socket strip (4x 14-position) (The braided shield is routed to four separate cable ends.); cable length: variable

---

Phoenix Contact 2022 © - all rights reserved  
<https://www.phoenixcontact.com>

Phoenix Contact USA  
586 Fulling Mill Road  
Middletown, PA 17057, United States  
(+717) 944-1300  
[info@phoenixcon.com](mailto:info@phoenixcon.com)