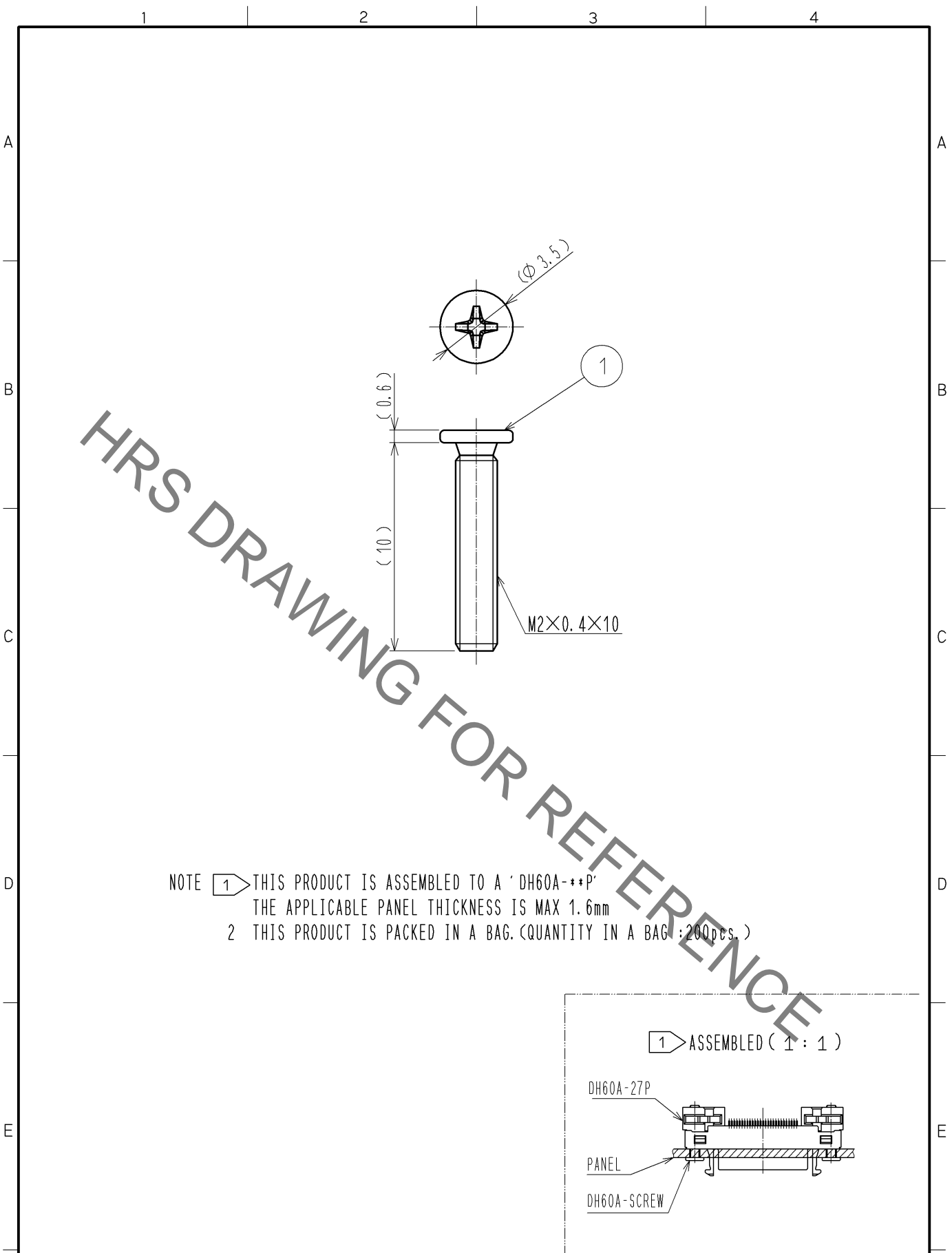
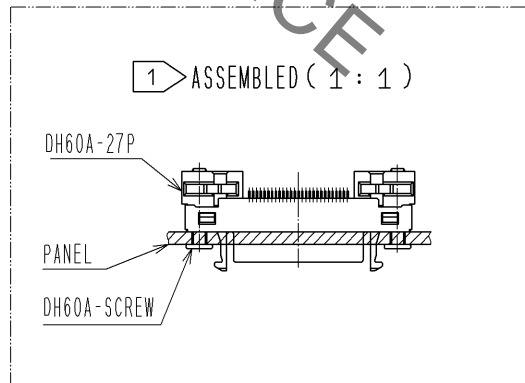


Nov.1.2022 Copyright 2022 HIROSE ELECTRIC CO., LTD. All Rights Reserved.  
 In case of consideration for using Automotive equipment / device which demand high reliability, kindly contact our sales window correspondents.



HRS DRAWING FOR REFERENCE

NOTE ① THIS PRODUCT IS ASSEMBLED TO A 'DH60A-\*\*P'  
 THE APPLICABLE PANEL THICKNESS IS MAX 1.6mm  
 2 THIS PRODUCT IS PACKED IN A BAG. (QUANTITY IN A BAG : 200pcs.)



1	STEEL	NICKEL							
NO.	MATERIAL	FINISH	REMARKS	NO.	MATERIAL	FINISH	REMARKS		
UNITS mm		SCALE 4 : 1	COUNT 	DESCRIPTION OF REVISIONS			DESIGNED	CHECKED	DATE
HIROSE ELECTRIC CO., LTD.	APPROVED : AO. SUZUKI	10.02.02	DRAWING NO.	EDC4-126867-00					
	CHECKED : KN. ICHIKAWA	10.02.01	PART NO.	DH60A-SCREW					
	DESIGNED : TU. TANIGUCHI	10.02.01	CODE NO.	CL244-0042-1-00					
	DRAWN : TU. TANIGUCHI	10.02.01		1/1					