

NOTES

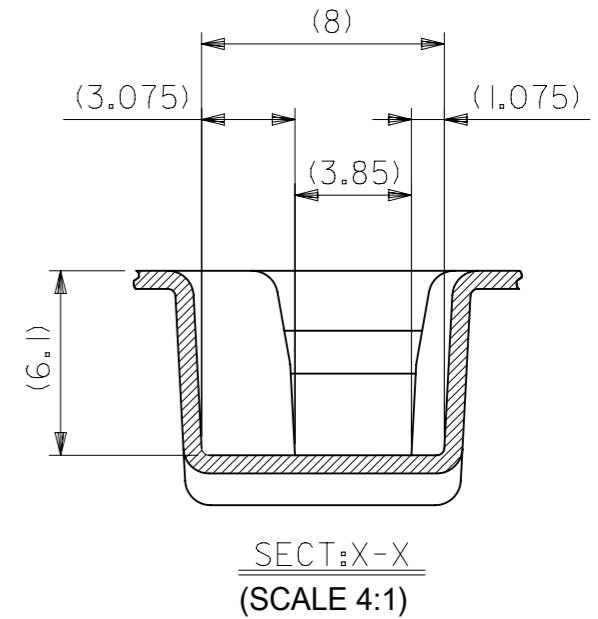
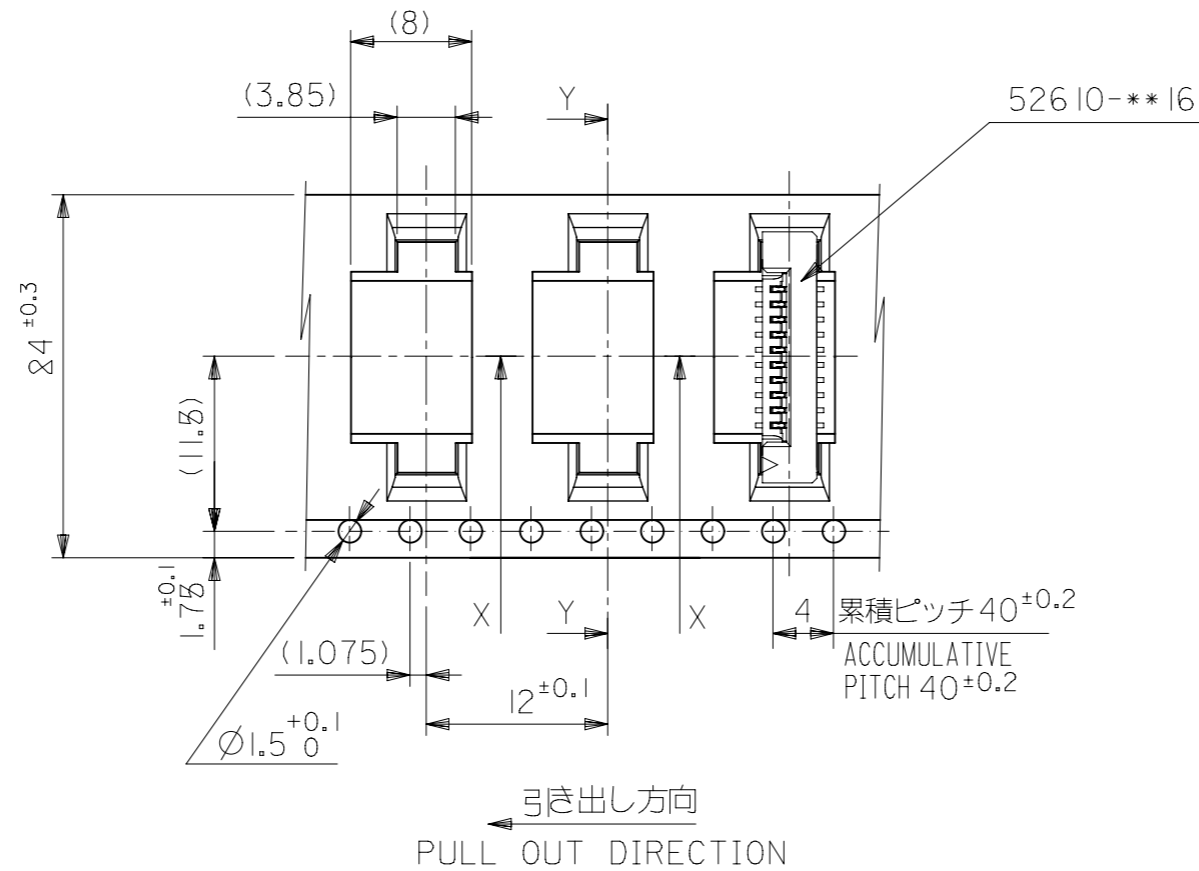
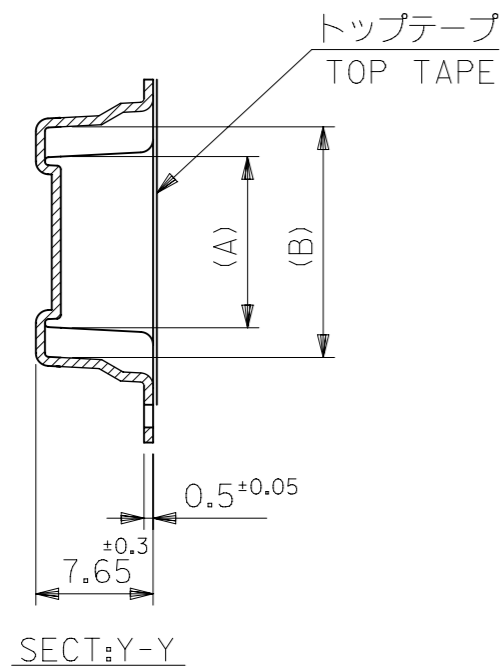
- 梱包数量：1000個/リール
NUMBER OF CONNECTORS : 1000PCS/REEL
- リードテープ長さ LEAD TAPE LENGTH
20PCS. MIN. トップテープ接着部 (空エンボス)
TOP TAPE BONDED PART. (EMPTY)
引き出し方向 PULL OUT DIRECTION
400 MIN.
部品挿入部 COMPONENT SUPPLIER
末端部 (空部) TAIL PART (EMPTY) 40 MIN.
- トップテープの剥離強度：0.1~1.3N {10gf~130gf} (剥離方向は下図参照)
尚、本規格値は出荷時に適用。(但し、輸送時に剥離が発生しないこと。)
PEELING OFF FORCE OF TOP TAPE : 0.1~1.3N {10gf~130gf}
(PEELING DIRECTION AS SHOWN IN FOLLOWING FIG.)
THIS REQUIREMENT SHOULD BE APPLIED AT SHIPMENT.
PEEL OFF SHOULD NOT BE ALLOWED, DURING TRANSPORTATION.
引き出し方向 PULL OUT DIRECTION
剥離方向 PEEL OFF DIRECTION 10°
- 52610-**-16のアクチュエータはハウジング内に押し下げた状態とする。
詳細寸法については 製品単体図面 を参照下さい。
ACTUATOR OF PART NO. 52610-**-16 SHOULD BE LOCKED.
RE DETAILED DIMENSIONS, SEE SALES DRAWING FOR CONNECTOR.
- 材料(MATERIAL)
キャリアテープ(CARRIER TAPE)：ポリプロピレン(POLYPROPYLENE)
トップテープ(TOPTAPE)：PET, PE, PEF
リール(REEL)：ポリスチレン(PS) <リサイクル材を含む>
POLYSTYREN(PS) <RECYCLE MATERIAL CONTAINED>
- 本製品は 52610-**-90 の鉛フリー品です
- 本製品は乾燥剤入り、ハイバリア梱包仕様である。
THIS PRODUCT IS HIGH BARRIER PACKAGE WITH DESICCANT.

GENERAL TOLERANCES (UNLESS SPECIFIED)	
10 ^{UNDER}	±0.2
10 ^{OVER} 30 ^{UNDER}	±0.25
30 ^{OVER}	±0.3
ANGULAR	±3°

THIS DRAWING CONTAINS INFORMATION THAT IS PROPRIETARY TO MOLEX ELECTRONIC TECHNOLOGIES, LLC AND SHOULD NOT BE USED WITHOUT WRITTEN PERMISSION
DIMENSION UNITS: mm SCALE: NTS
GENERAL TOLERANCES (UNLESS SPECIFIED)
ANGULAR TOL ±
4 PLACES ±
3 PLACES ±
2 PLACES ±
1 PLACE ±
0 PLACES ±
DRAFT WHERE APPLICABLE MUST REMAIN WITHIN DIMENSIONS

CURRENT REV DESC:	
EC NO: 719890	2022/09/01
DRWN: DGONDO	2022/09/05
CHK'D: SMARUYAMA	2022/09/05
APPR: YNAITO	2022/09/05
INITIAL REVISION:	
DRWN: NAIDA	2005/08/08
APPR: NUKITA	2005/08/22

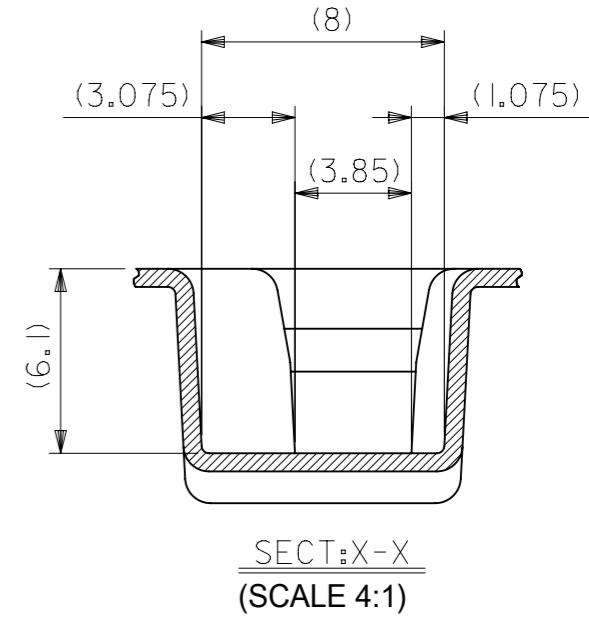
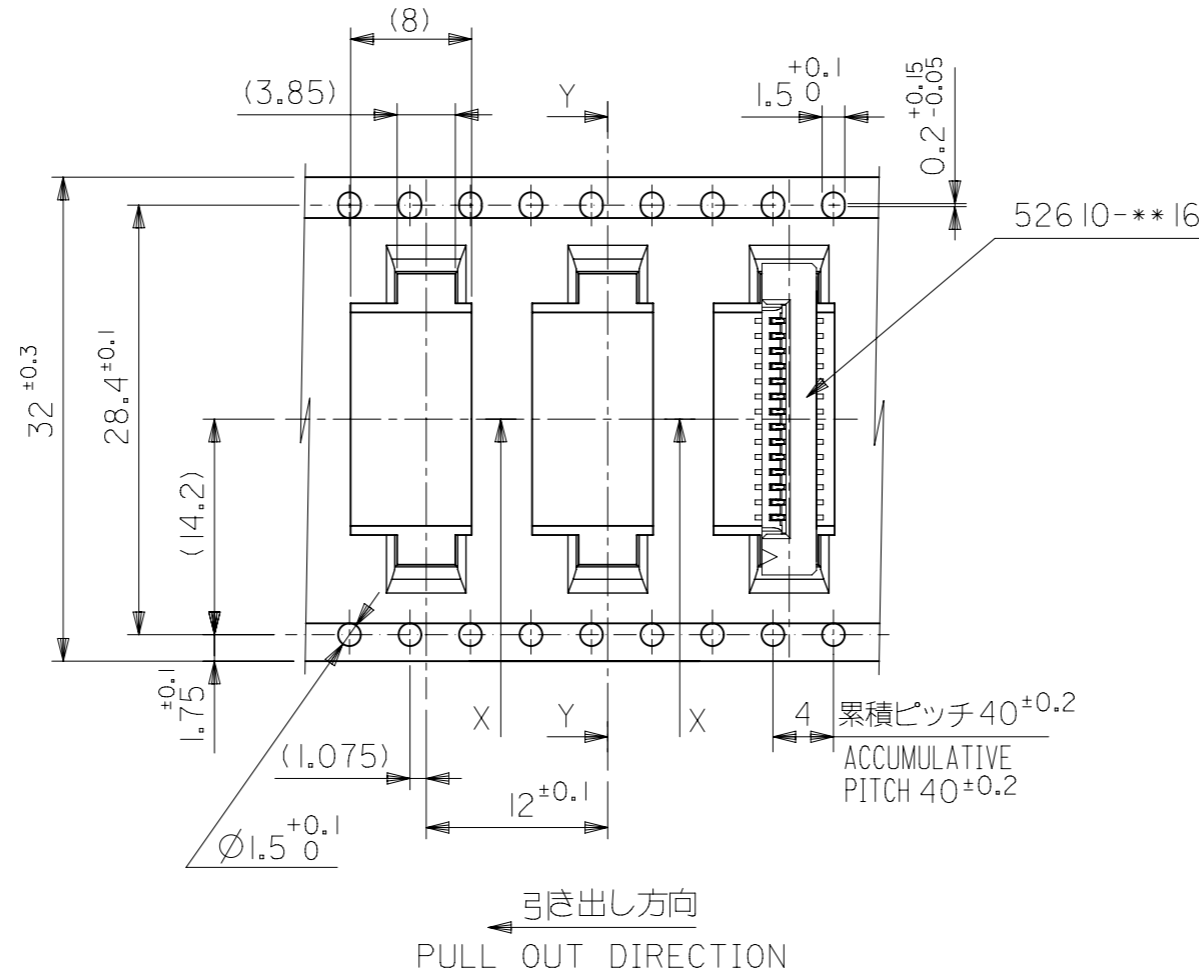
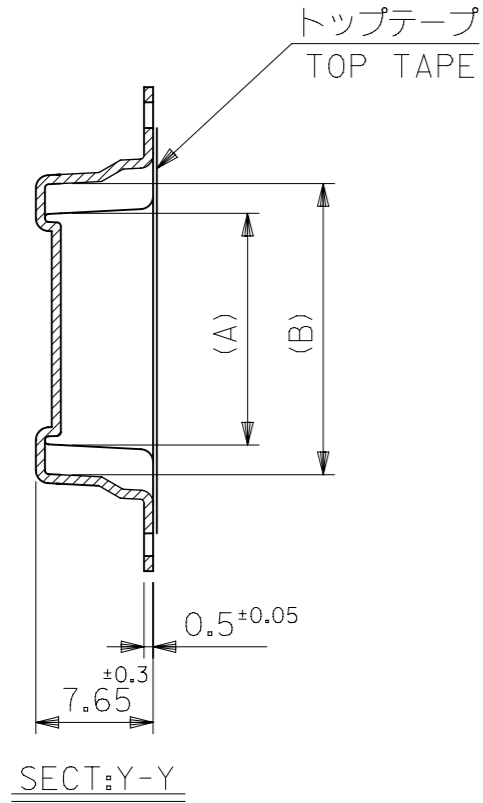
52610-**71		MODEL NO.	
molex			
1.0 FPC CONN SMT ZIF EMBSTP PKG -LEAD FREE-			
PRODUCT CUSTOMER DRAWING			
DOCUMENT NUMBER	DOC TYPE	DOC PART	REVISION
SD-52610-038	PSD	001	D
MATERIAL NUMBER	CUSTOMER	SHEET NUMBER	
SEE TABLE	GENERAL MARKET	1 OF 5	



24	29.4	25.4	15.25	11.32	52610-1071	10
			14.25	10.32	52610-0971	9
			13.25	9.32	52610-0871	8
			12.25	8.32	52610-0771	7
			11.25	7.32	52610-0671	6
			10.25	6.32	52610-0571	5
キャリアテープ幅 CARRIER TAPE WIDTH	D	C	(B)	(A)	MATERIAL NO.	極数 CKT.

52610-**-71 MODEL NO.

THIS DRAWING CONTAINS INFORMATION THAT IS PROPRIETARY TO MOLEX ELECTRONIC TECHNOLOGIES, LLC AND SHOULD NOT BE USED WITHOUT WRITTEN PERMISSION																					
DIMENSION UNITS		SCALE		CURRENT REV DESC:																	
mm		NTS		molex 1.0 FPC CONN SMT ZIF EMBSTP PKG -LEAD FREE- PRODUCT CUSTOMER DRAWING																	
GENERAL TOLERANCES (UNLESS SPECIFIED)																					
ANGULAR TOL ±																					
4 PLACES ±																					
3 PLACES ±																					
2 PLACES ±				EC NO: 719890		2022/09/01		DOCUMENT NUMBER		DOC TYPE DOC PART REVISION											
1 PLACE ±				DRWN: DGONDO		2022/09/05		SD-52610-038		PSD 001 D											
0 PLACES ±				CHK'D: SMARUYAMA		2022/09/05		INITIAL REVISION:		SHEET NUMBER											
DRAFT WHERE APPLICABLE MUST REMAIN WITHIN DIMENSIONS				APPR: YNAITO		2022/09/05		DRWN: NAIDA		2005/08/08											
THIRD ANGLE PROJECTION				APPR: NUKITA		2005/08/22		SERIES		MATERIAL NUMBER											
<table border="1"> <tr> <td colspan="2">GENERAL TOLERANCES (UNLESS SPECIFIED)</td> </tr> <tr> <td>10^{UNDER}</td> <td>±0.2</td> </tr> <tr> <td>10^{OVER} 30^{UNDER}</td> <td>±0.25</td> </tr> <tr> <td>30^{OVER}</td> <td>±0.3</td> </tr> <tr> <td>ANGULAR</td> <td>±3°</td> </tr> </table>				GENERAL TOLERANCES (UNLESS SPECIFIED)		10 ^{UNDER}	±0.2	10 ^{OVER} 30 ^{UNDER}	±0.25	30 ^{OVER}	±0.3	ANGULAR	±3°	DRAWING		SERIES		CUSTOMER		SHEET NUMBER	
GENERAL TOLERANCES (UNLESS SPECIFIED)																					
10 ^{UNDER}	±0.2																				
10 ^{OVER} 30 ^{UNDER}	±0.25																				
30 ^{OVER}	±0.3																				
ANGULAR	±3°																				
A3-SIZE		52610		GENERAL MARKET		2 OF 5															

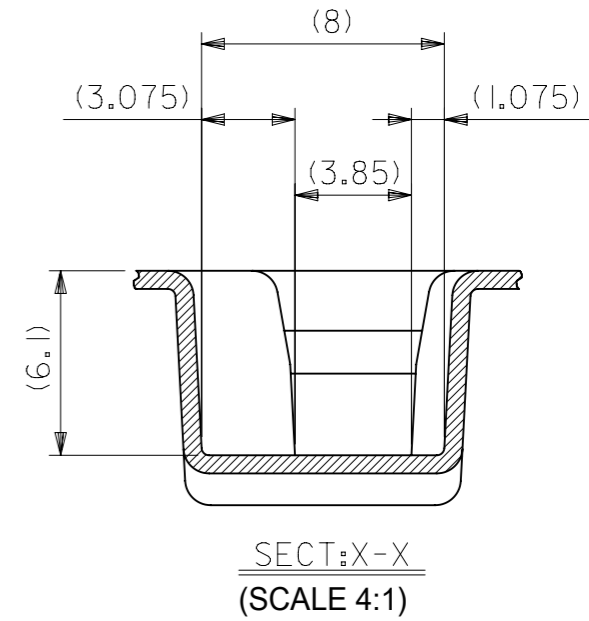
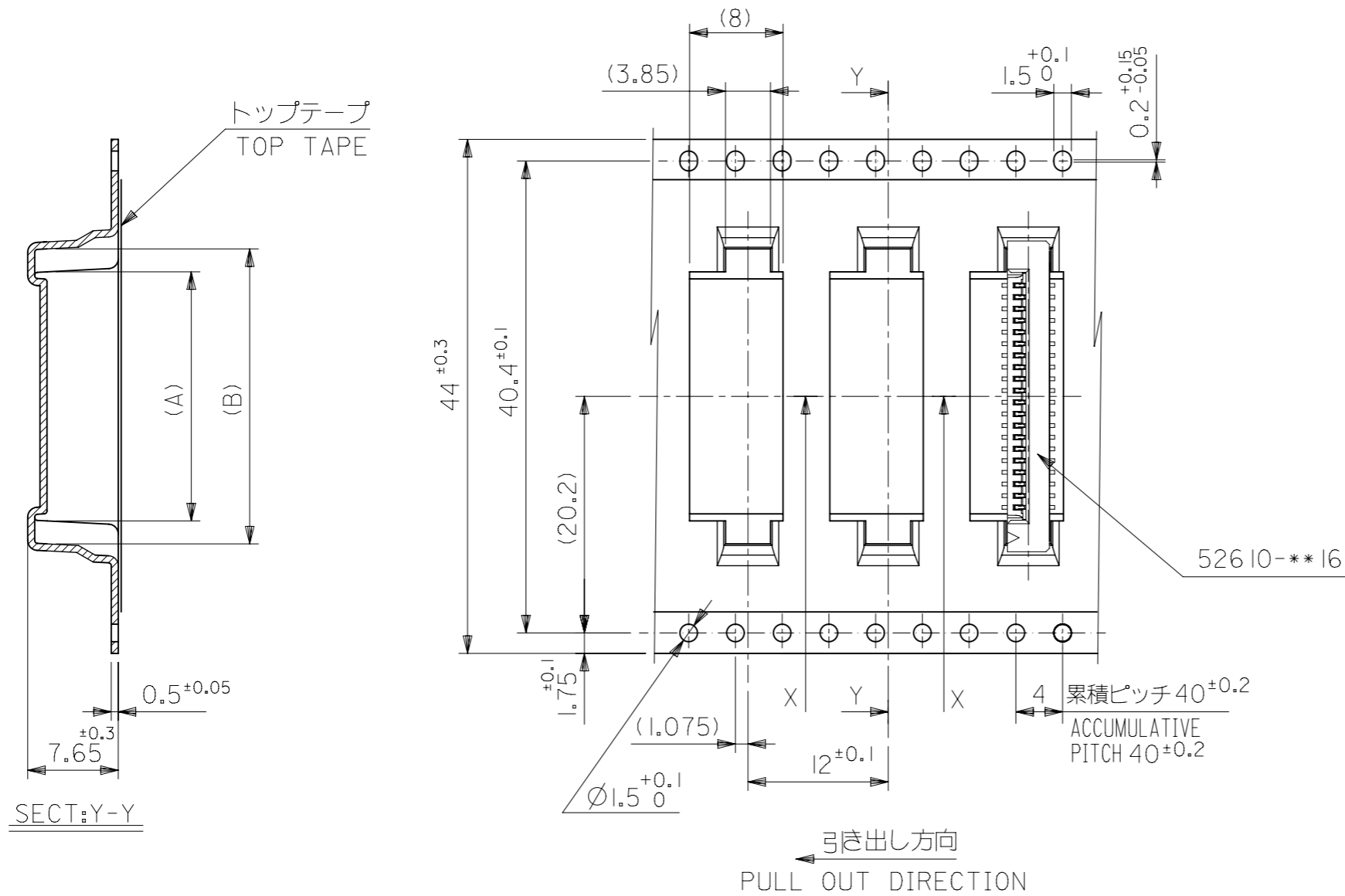


32	37.4	33.4	20.25	16.32	52610-1571	15
			19.25	15.32	52610-1471	14
			18.25	14.32	52610-1371	13
			17.25	13.32	52610-1271	12
			16.25	12.32	52610-1171	11
キャリアテープ幅 CARRIER TAPE WIDTH	D	C	(B)	(A)	MATERIAL NO.	極数 CKT.

52610-**71 MODEL NO.

THIS DRAWING CONTAINS INFORMATION THAT IS PROPRIETARY TO MOLEX ELECTRONIC TECHNOLOGIES, LLC AND SHOULD NOT BE USED WITHOUT WRITTEN PERMISSION		CURRENT REV DESC:		molex		
DIMENSION UNITS	SCALE	EC NO: 719890				
mm	NTS	DRWN: DGONDO 2022/09/01		PRODUCT CUSTOMER DRAWING		
GENERAL TOLERANCES (UNLESS SPECIFIED)		CHK'D: SMARUYAMA 2022/09/05		DOCUMENT NUMBER		
ANGULAR TOL ±		APPR: YNAITO 2022/09/05		SD-52610-038		DOC TYPE
4 PLACES ±		INITIAL REVISION:		PSD		DOC PART
3 PLACES ±		DRWN: NAIDA 2005/08/08		001		REVISION
2 PLACES ±		APPR: NUKITA 2005/08/22		D		
1 PLACE ±		THIRD ANGLE PROJECTION		MATERIAL NUMBER		CUSTOMER
0 PLACES ±		DRAWING		SEE TABLE		GENERAL MARKET
DRAFT WHERE APPLICABLE MUST REMAIN WITHIN DIMENSIONS		SERIES		SHEET NUMBER		
ANGULAR ±3°		A3-SIZE		52610		3 OF 5

GENERAL TOLERANCES (UNLESS SPECIFIED)	
10 ^{UNDER}	±0.2
10 ^{OVER} 30 ^{UNDER}	±0.25
30 ^{OVER}	±0.3
ANGULAR	±3°



44	49.4	45.4	31.25	27.32	526 10-2671	26
			30.25	26.32	526 10-2571	25
			29.25	25.32	526 10-2471	24
			28.25	24.32	526 10-2371	23
			27.25	23.32	526 10-2271	22
			26.25	22.32	526 10-2171	21
			25.25	21.32	526 10-2071	20
			24.25	20.32	526 10-1971	19
			23.25	19.32	526 10-1871	18
			22.25	18.32	526 10-1771	17
			21.25	17.32	526 10-1671	16
キャリアテープ幅 CARRIER TAPE WIDTH	D	C	(B)	(A)	MATERIAL NO.	極数 CKT.

52610-**71 MODEL NO.

THIS DRAWING CONTAINS INFORMATION THAT IS PROPRIETARY TO MOLEX ELECTRONIC TECHNOLOGIES, LLC AND SHOULD NOT BE USED WITHOUT WRITTEN PERMISSION											
DIMENSION UNITS		SCALE		CURRENT REV DESC:							
mm		NTS									
GENERAL TOLERANCES (UNLESS SPECIFIED)				GENERAL TOLERANCES (UNLESS SPECIFIED)							
ANGULAR TOL ±				ANGULAR TOL ±							
4 PLACES ±				4 PLACES ±							
3 PLACES ±				3 PLACES ±							
2 PLACES ±				2 PLACES ±							
1 PLACE ±				1 PLACE ±							
0 PLACES ±				0 PLACES ±							
DRAFT WHERE APPLICABLE MUST REMAIN WITHIN DIMENSIONS				THIRD ANGLE PROJECTION		DRAWING		SERIES		MATERIAL NUMBER	
				A3-SIZE		52610		SEE TABLE		GENERAL MARKET	

GENERAL TOLERANCES (UNLESS SPECIFIED)	
10 ^{UNDER}	±0.2
10 ^{OVER} 30 ^{UNDER}	±0.25
30 ^{OVER}	±0.3
ANGULAR	±3°

EC NO: 719890
 DRWN: DGONDO 2022/09/01
 CHK'D: SMARUYAMA 2022/09/05
 APPR: YNAITO 2022/09/05

INITIAL REVISION:
 DRWN: NAIDA 2005/08/08
 APPR: NUKITA 2005/08/22

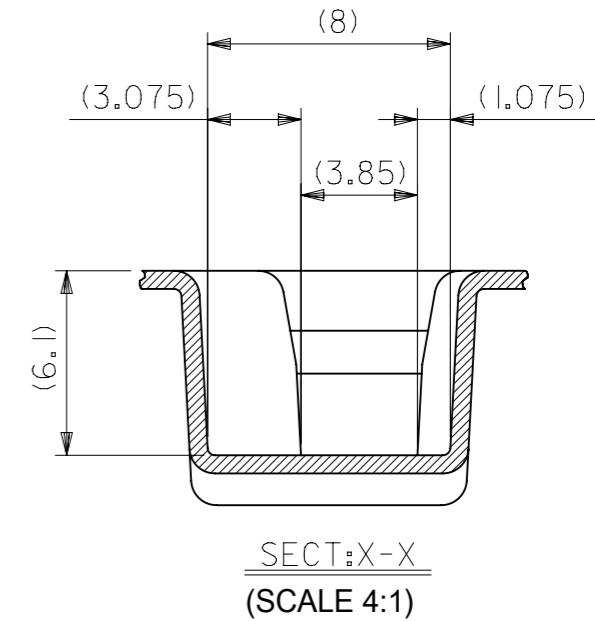
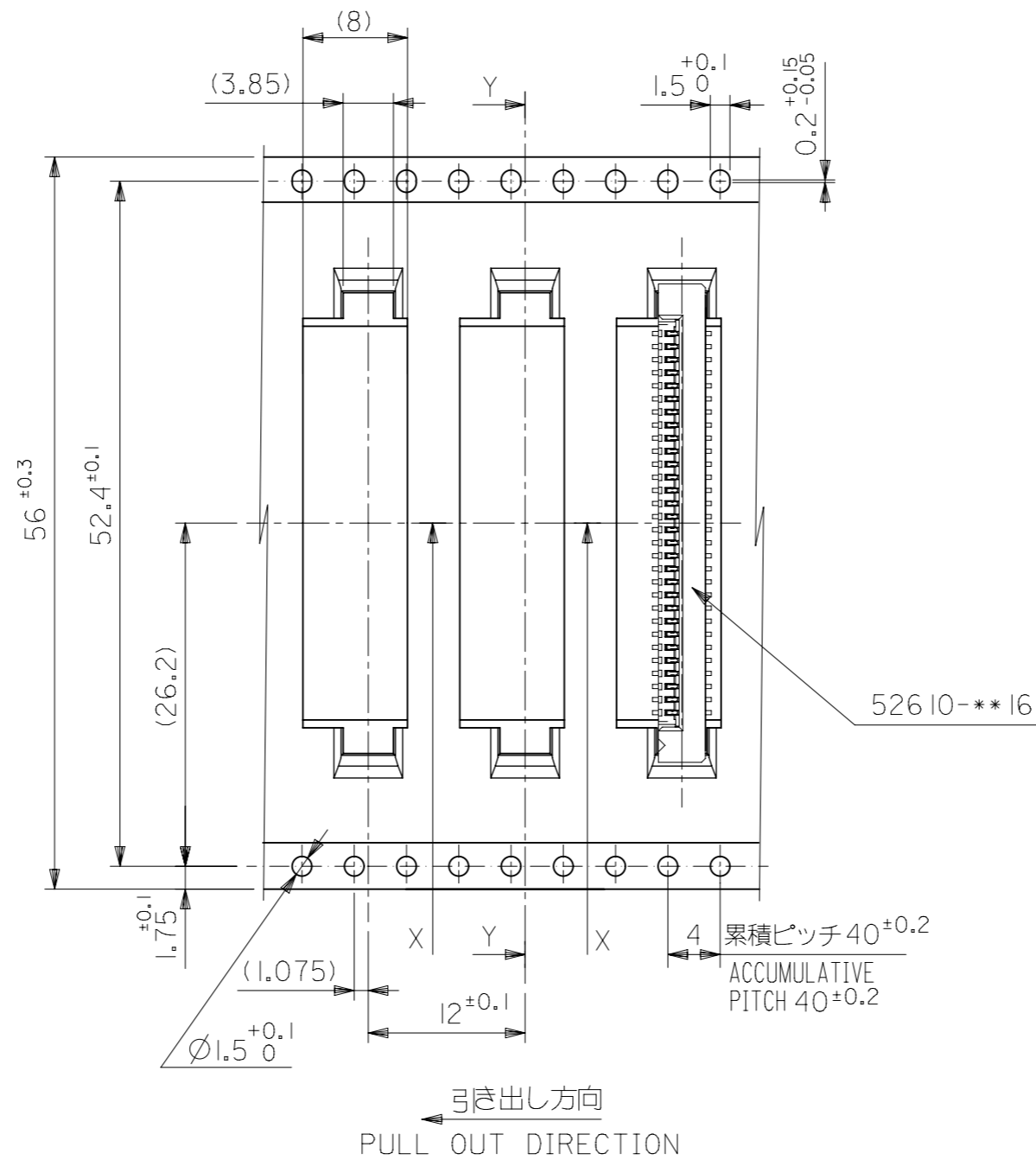
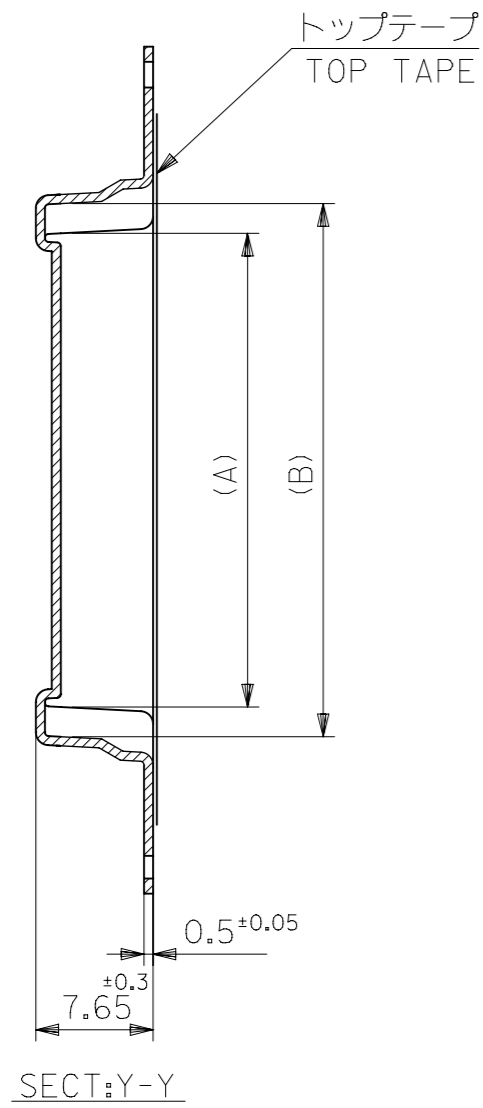
molex

1.0 FPC CONN SMT
 ZIF EMBSTP PKG -LEAD FREE-

PRODUCT CUSTOMER DRAWING

DOCUMENT NUMBER: SD-52610-038
 DOC TYPE: PSD
 DOC PART: 001
 REVISION: D

SHEET NUMBER: 4 OF 5

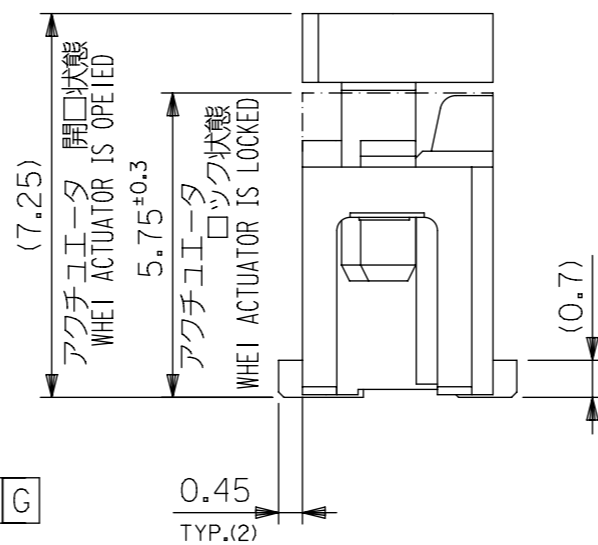
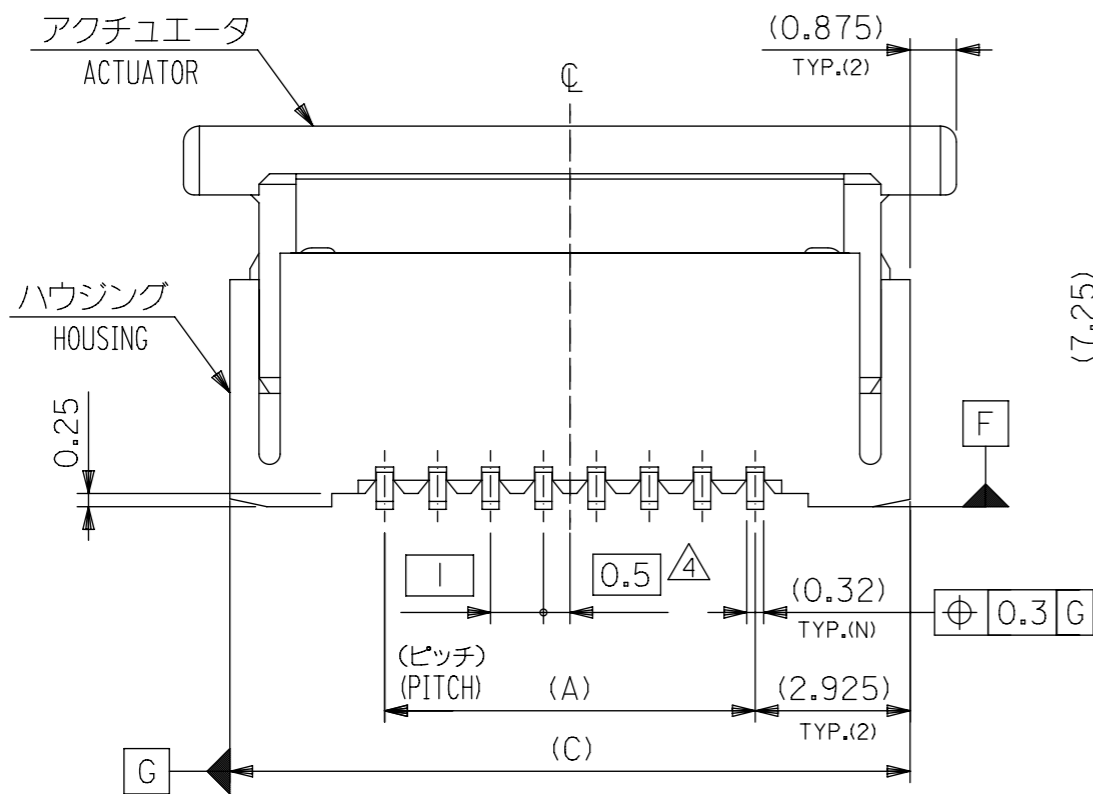
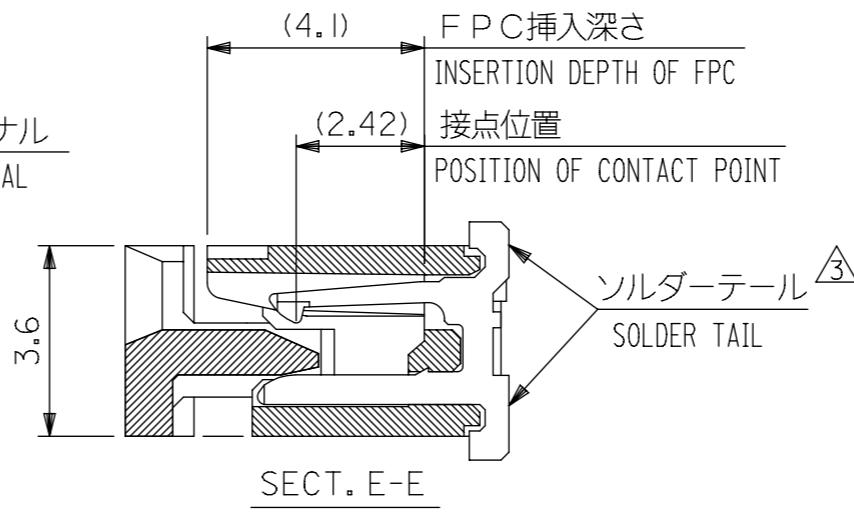
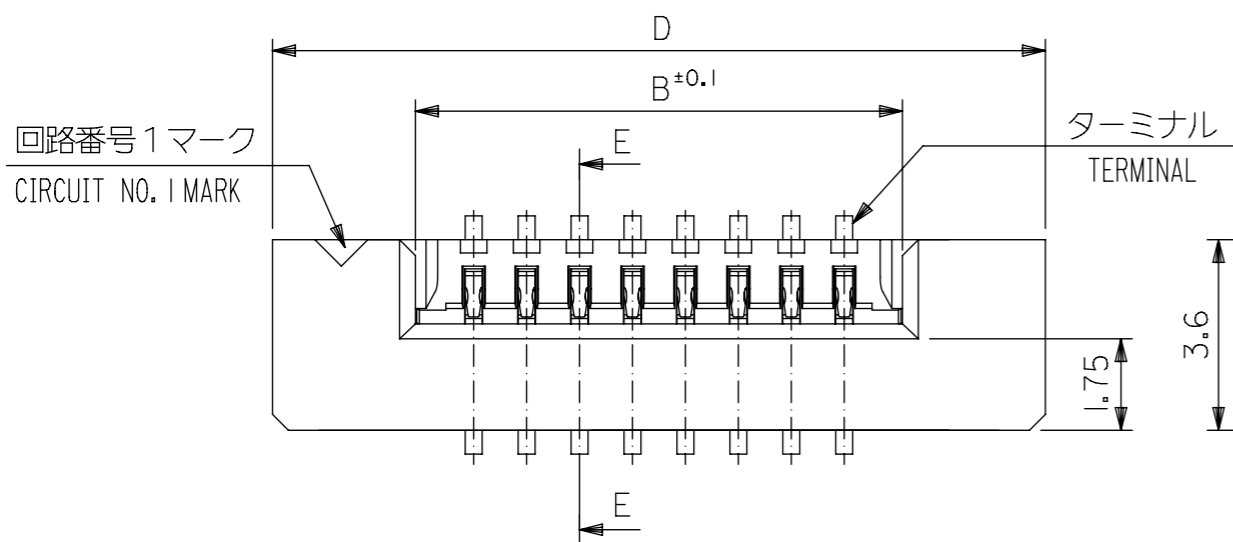


56	61.4	57.4	35.25	31.32	52610-3071	30
			33.25	29.32	52610-2871	28
キャリアテープ幅 CARRIER TAPE WIDTH	D	C	(B)	(A)	MATERIAL NO.	極数 CKT.

52610-**-71 MODEL NO.

THIS DRAWING CONTAINS INFORMATION THAT IS PROPRIETARY TO MOLEX ELECTRONIC TECHNOLOGIES, LLC AND SHOULD NOT BE USED WITHOUT WRITTEN PERMISSION											
DIMENSION UNITS		SCALE		CURRENT REV DESC:							
mm		NTS		molex 1.0 FPC CONN SMT ZIF EMBSTP PKG -LEAD FREE- PRODUCT CUSTOMER DRAWING							
GENERAL TOLERANCES (UNLESS SPECIFIED)											
ANGULAR TOL ±											
4 PLACES ±											
3 PLACES ±											
2 PLACES ±				EC NO: 719890				2022/09/01			
1 PLACE ±				DRWN: DGONDO				2022/09/05			
0 PLACES ±				CHK'D: SMARUYAMA				2022/09/05			
DRAFT WHERE APPLICABLE MUST REMAIN WITHIN DIMENSIONS				APP: YNAITO				2022/09/05			
INITIAL REVISION:				DRWN: NAIDA				2005/08/08			
APP: NUKITA				2005/08/22				DOCUMENT NUMBER			
SD-52610-038				PSD				DOC PART		REVISION	
SEE TABLE				GENERAL MARKET				SHEET NUMBER			
5 OF 5				A3-SIZE				SERIES		MATERIAL NUMBER	
52610				CUSTOMER				52610			

GENERAL TOLERANCES (UNLESS SPECIFIED)	
10 ^{UNDER}	±0.2
10 ^{OVER} 30 ^{UNDER}	±0.25
30 ^{OVER}	±0.3
ANGULAR	±3°



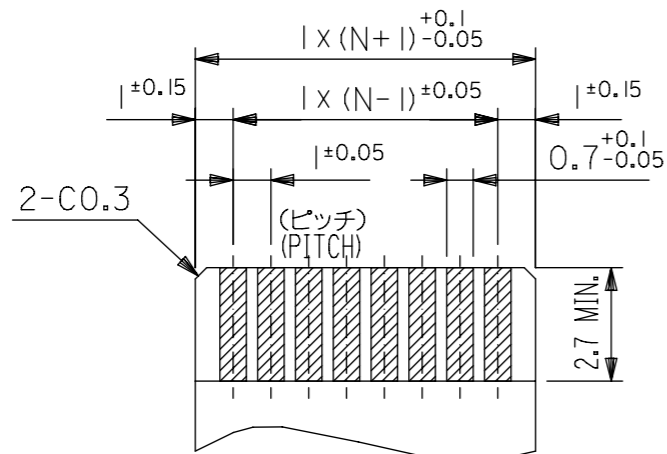
注記 (NOTES):

- 材料 (MATERIAL)
 ハウジング (HOUSING): 46NYLON, UL94V-0
 アクチュエータ (ACTUATOR): PPS, UL94V-0
 ターミナル (TERMINAL): リン青銅 (+0.32) PHOS-BRO
 錫 (3%±1%) ビスマスメッキ 1.0マイクロメートル以上
 TIN (3%±1%) BISMUTH 1.0 MICROMETER MINIMUM
 ニッケル下地 1.0マイクロメートル以上
 NICKEL (UNDER PLATING) 1.0 MICROMETER MINIMUM
- エンボステープ梱包時は、アクチュエータがロックした状態とする。
 IN THE PACKAGE, ACTUATOR OF PART NO. 52610-**16 SHOULD BE LOCKED.
- △3 ソルダータール半田付け面のズレ量は、基準面 [F] に対し上方向 0.05 MAX., 下方向 0.15 MAX. とする。
 MISALIGNMENT OF SOLDER TAILS FROM [F] UPPER DIRECTION: 0.05 MAX., LOWER DIRECTION: 0.15 MAX.
- △4 偶数極に適用。
 APPLY FOR EVEN CIRCUIT.
- 本製品は 52610-**17 の鉛フリー品です

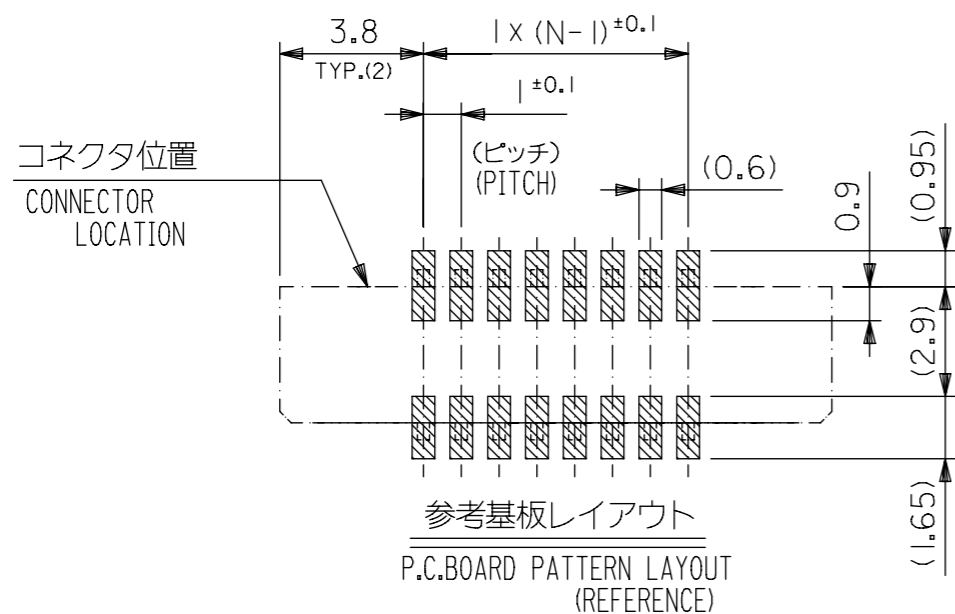
MODEL NO. 52610-**16

THIS DRAWING CONTAINS INFORMATION THAT IS PROPRIETARY TO MOLEX ELECTRONIC TECHNOLOGIES, LLC AND SHOULD NOT BE USED WITHOUT WRITTEN PERMISSION		CURRENT REV DESC:		molex	
DIMENSION UNITS	SCALE				
mm	NTS			1.0 FPC CONNECTOR Z.I.F. FOR SMT.(ST.) -LEAD FREE-	
GENERAL TOLERANCES (UNLESS SPECIFIED)		EC NO: 719890		PRODUCT CUSTOMER DRAWING	
ANGULAR TOL ± °		DRWN: NARENC 2022/08/26		DOCUMENT NUMBER	
4 PLACES ±		CHK'D: SMARUYAMA 2022/09/05		SD-52610-041	
3 PLACES ±		APPR: YNAITO 2022/09/05		DOC TYPE	
2 PLACES ±		INITIAL REVISION:		DOC PART	
1 PLACE ±		DRWN: MNABEI 2006/04/17		001	
0 PLACES ±		APPR: NUKITA 2006/04/20		REVISION	
DRAFT WHERE APPLICABLE MUST REMAIN WITHIN DIMENSIONS		THIRD ANGLE PROJECTION	DRAWING	SERIES	SHEET NUMBER
			A3-SIZE	52610	1 OF 2

GENERAL TOLERANCES (UNLESS SPECIFIED)	
10 ^{UNDER}	±0.2
10 ^{OVER} 30 ^{UNDER}	±0.25
30 ^{OVER}	±0.3
ANGULAR	±3°



適合FPC推奨寸法
 APPLICABLE FPC RECOMMENDED DIM.
 仕上がり厚さ(THICKNESS): 0.3 ±0.05



参考基板レイアウト
 P.C.BOARD PATTERN LAYOUT
 (REFERENCE)

FPCについて:
 打抜き方向は導体側から補強板側を推奨致します。
 補強フィルム材質はポリイミドを推奨致します。
 接着剤は熱硬化接着剤を推奨致します。

ABOUT FPC:
 RECOMMENDED PUNCHER DIRECTION : FROM CONDUCTOR SIDE TO STIFFENER BOARD SIDE.
 RECOMMENDED MATERIAL :
 STIFFENER FILM : POLYIMIDE
 BONDING AGENT : THERMOSETTING BONDING AGENT

36.6	34.85	31.2	29	52610-3016	30	
34.6	32.85	29.2	27	-2816	28	
32.6	30.85	27.2	25	-2616	26	
31.6	29.85	26.2	24	-2516	25	
30.6	28.85	25.2	23	-2416	24	
29.6	27.85	24.2	22	-2316	23	
28.6	26.85	23.2	21	-2216	22	
27.6	25.85	22.2	20	-2116	21	
26.6	24.85	21.2	19	-2016	20	
25.6	23.85	20.2	18	-1916	19	
24.6	22.85	19.2	17	-1816	18	
23.6	21.85	18.2	16	-1716	17	
22.6	20.85	17.2	15	-1616	16	
21.6	19.85	16.2	14	-1516	15	
20.6	18.85	15.2	13	-1416	14	
19.6	17.85	14.2	12	-1316	13	
18.6	16.85	13.2	11	-1216	12	
17.6	15.85	12.2	10	-1116	11	
16.6	14.85	11.2	9	-1016	10	
15.6	13.85	10.2	8	-0916	9	
14.6	12.85	9.2	7	-0816	8	
13.6	11.85	8.2	6	-0716	7	
12.6	10.85	7.2	5	-0616	6	
52610-**16	11.6	9.85	6.2	4	52610-0516	5
MODEL NO.	D	(C)	B	(A)	MODEL NO.	CKT.

THIS DRAWING CONTAINS INFORMATION THAT IS PROPRIETARY TO MOLEX ELECTRONIC TECHNOLOGIES, LLC AND SHOULD NOT BE USED WITHOUT WRITTEN PERMISSION

DIMENSION UNITS	SCALE	CURRENT REV DESC.
mm	NTS	

GENERAL TOLERANCES (UNLESS SPECIFIED)

ANGULAR TOL	±	°
4 PLACES	±	
3 PLACES	±	
2 PLACES	±	
1 PLACE	±	
0 PLACES	±	

EC NO: 719890
 DRWN: NARENC 2022/08/26
 CHK'D: SMARUYAMA 2022/09/05
 APPR: YNAITO 2022/09/05

INITIAL REVISION:
 DRWN: MNABEI 2006/04/17
 APPR: NUKITA 2006/04/20

DRAFT WHERE APPLICABLE MUST REMAIN WITHIN DIMENSIONS

THIRD ANGLE PROJECTION

DRAWING: A3-SIZE

SERIES: 52610

MATERIAL NUMBER: SEE TABLE

CUSTOMER: GENERAL MARKET

SHEET NUMBER: 2 OF 2

molex

1.0 FPC CONNECTOR
 Z.I.F. FOR SMT.(ST.) -LEAD FREE-

PRODUCT CUSTOMER DRAWING

DOCUMENT NUMBER: SD-52610-041

DOC TYPE: PSD

DOC PART: 001

REVISION: G

GENERAL TOLERANCES (UNLESS SPECIFIED)

10 ^{UNDER}	±0.2
10 ^{OVER} 30 ^{UNDER}	±0.25
30 ^{OVER}	±0.3
ANGULAR	±3°