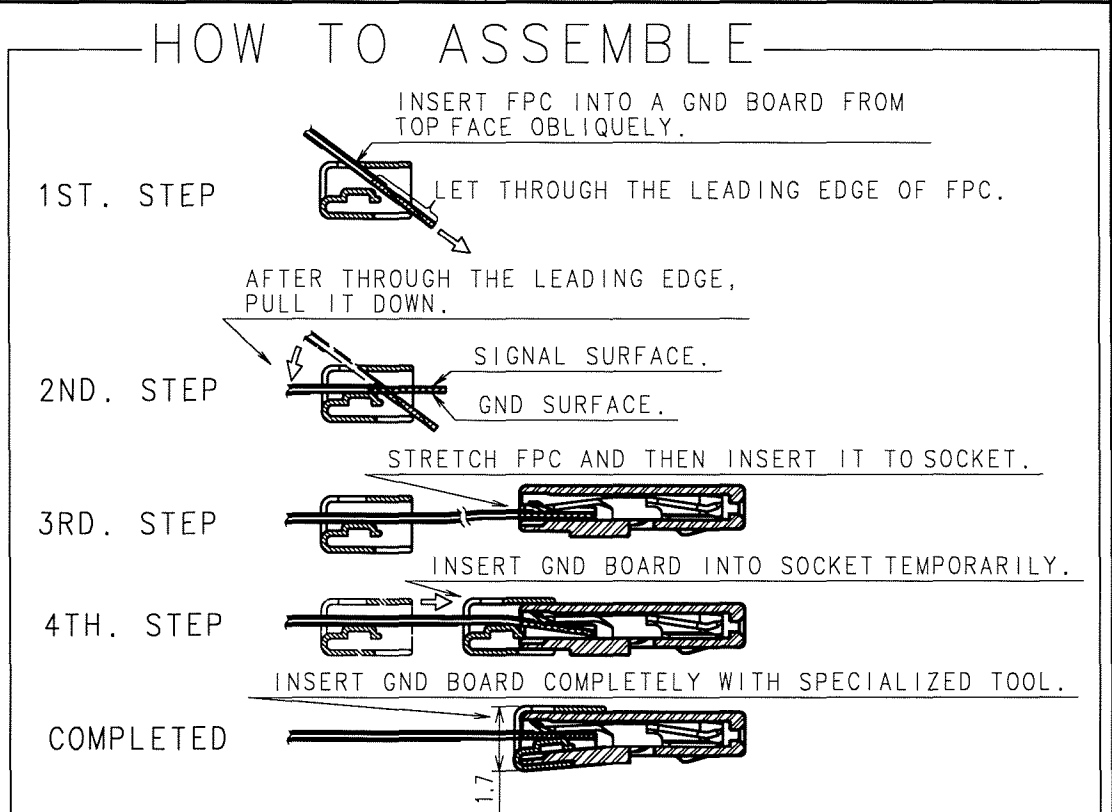
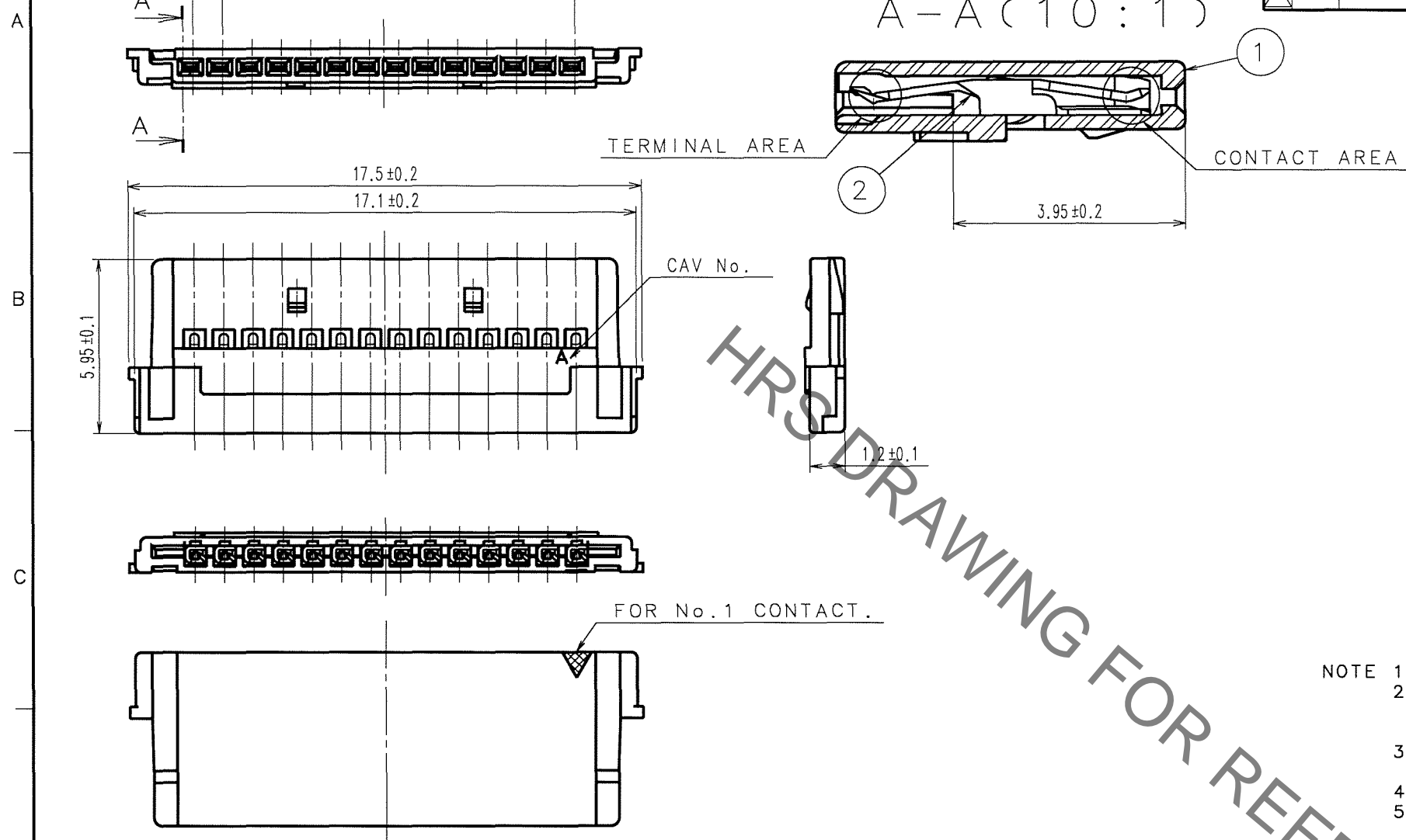
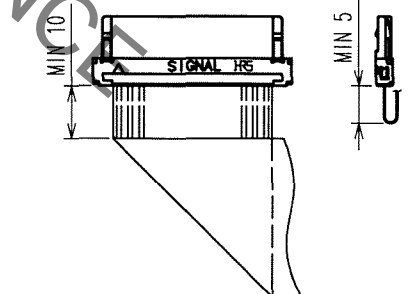


Nov.1.2022 Copyright 2022 HIROSE ELECTRIC CO., LTD. All Rights Reserved.  
In case of consideration for using Automotive equipment / device which demand high reliability, kindly contact our sales window correspondents.

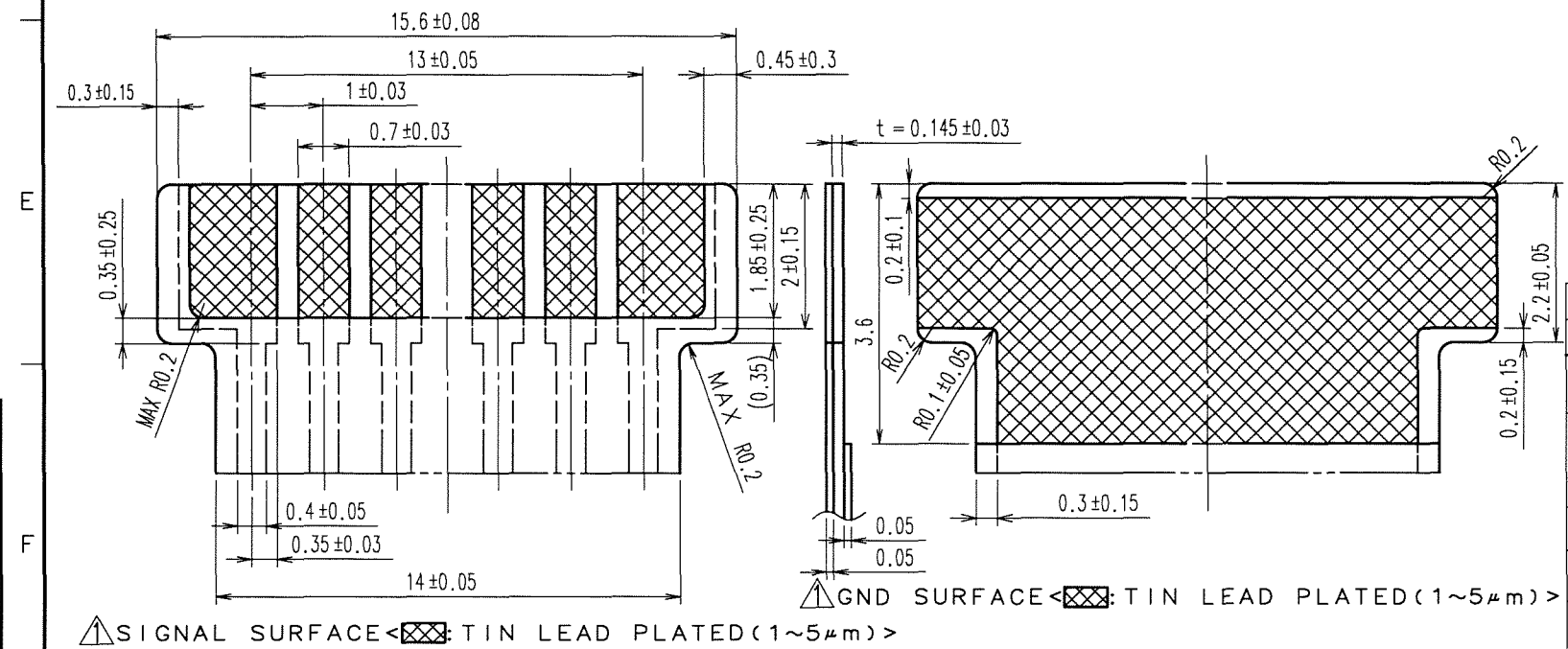
COUNT	DESCRIPTION OF REVISIONS	BY	CHKD	DATE	COUNT	DESCRIPTION OF REVISIONS	BY	CHKD	DATE
2	DIS-H-000773	I-D	H.U	06.02.09					



- NOTE 1:** TRAY PACKAGING. (100 PCS)  
**NOTE 2:** GND BOARD AND SOCKET, EACH SHOULD BE TREATED AS A INDIVIDUAL PRODUCT, AND BE SUPPLIED INDIVIDUALLY. (GND BOARD:DF19G-14S-1F-GND(05)/CL685-0018-5-05)  
**NOTE 3:** IF IT'S NEEDED TO CONNECT SIGNAL SURFACE AND GND, IT MUST BE DONE BY THROUGH HOLE ON FPC.  
**NOTE 4:** USE SPECIALIZED TOOL TO ASSEMBLE FPC.  
**NOTE 5:** INSERTION AND WITHDRAWAL OF CONNECTOR SHALL BE MADE PERPENDICULAR TO MATING SURFACE.  
**NOTE 6:** THIS PRODUCT IS NOT INTENDED TO HAVE ANY STRAIN ON THE CONDUCTORS IN SUCH INSTANCE AS CLOSE-OPEN MOTION OF NOTEBOOK COMPUTER.  
**NOTE 7:** BEND RADIUS OF FPC SHALL BE AS SPECIFIED BY THE FPC MANUFACTURER. BENDING POSITION TO BE AS SHOWN BELOW.



### RECOMMENDED PATTERNS OF FPC(10:1)



NO.	MATERIAL	FINISH, REMARKS	NO.	MATERIAL	FINISH, REMARKS
1	POLYAMIDE	UL94V-0, NATURAL(BEIGE)	2	PHOSPHOR BRONZE	CONTACT AREA: GOLD PLATED 0.1µm min TERMINAL AREA: TIN PLATED 1µm min UNDER PLATED: NICKEL PLATED 0.5µm min

CODE NO. (OLD)	DRAWN	DESIGNED	CHECKED	APPROVED	RELEASED
	A.Miyazaki	I.Denpouya	H.Umehara	T.Oma	
	06.01.25	06.01.30	06.01.30	06.01.30	

DRAWING NO.	PART NO.
EDC3-162745-02	DF19G-14S-1F(05)
SCALE	UNITS
5:1	mm

CODE NO.	
CL685-0017-2-05	1/1

TO