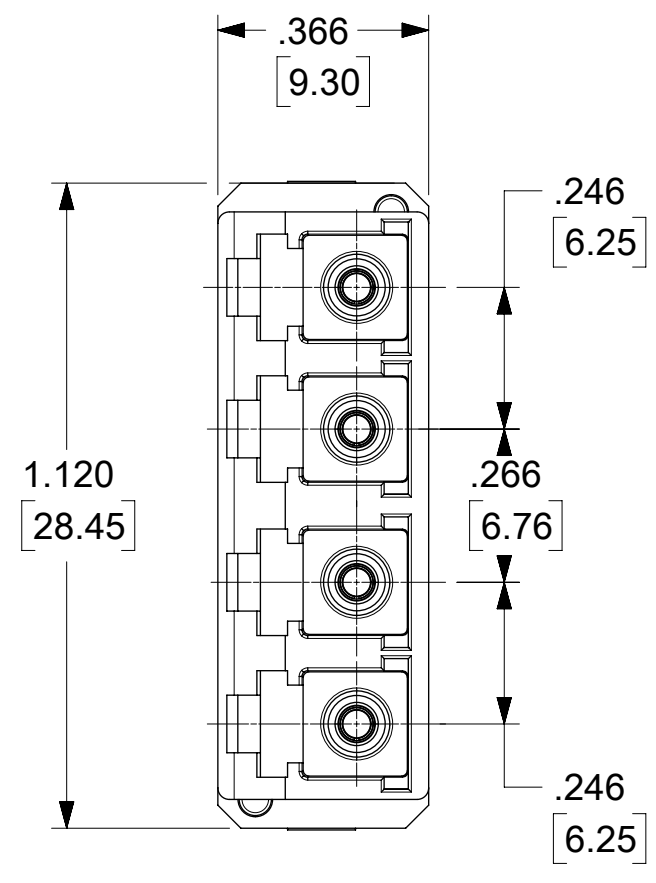
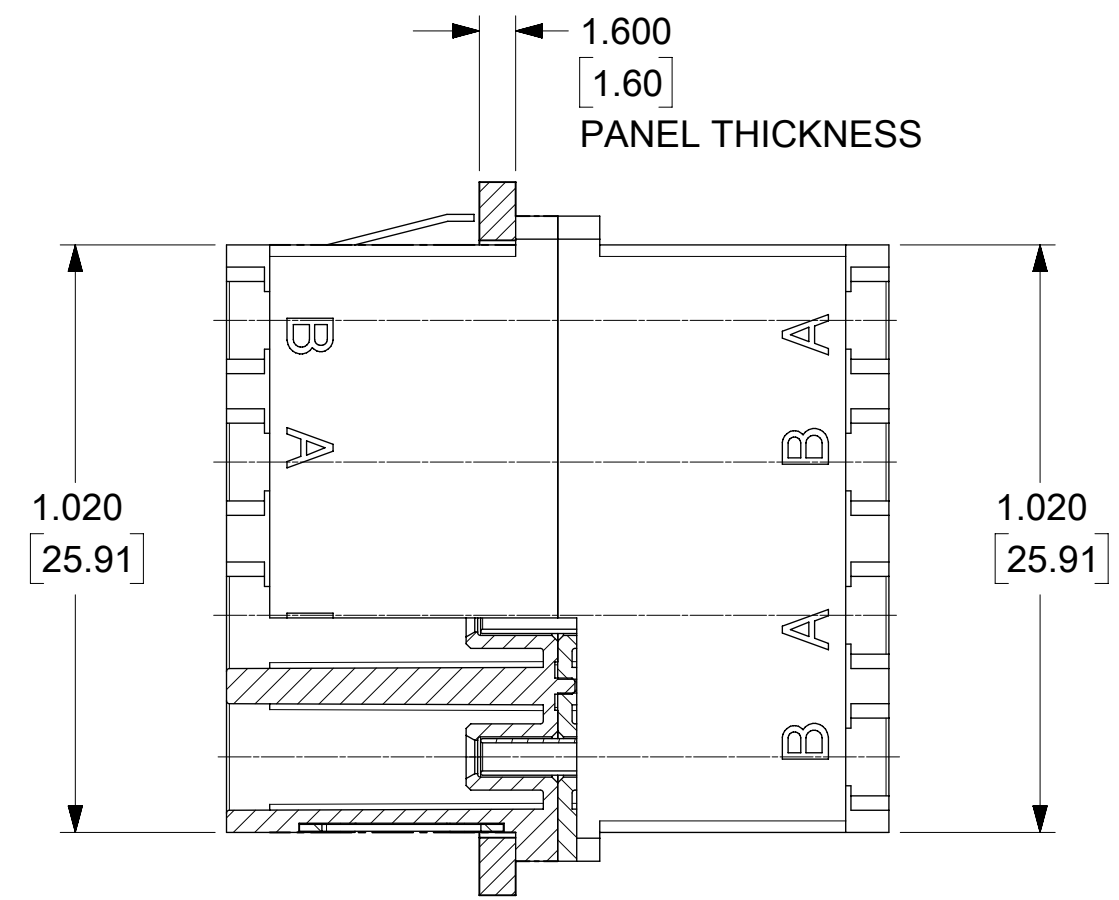
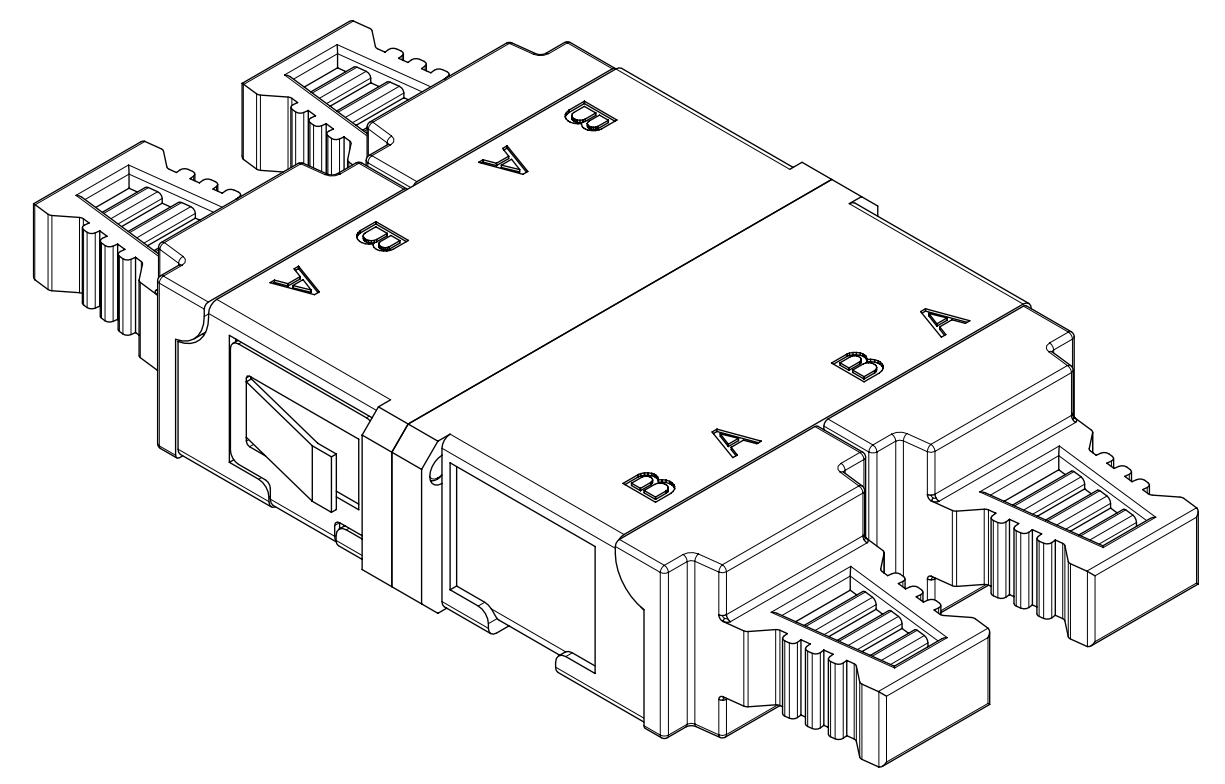
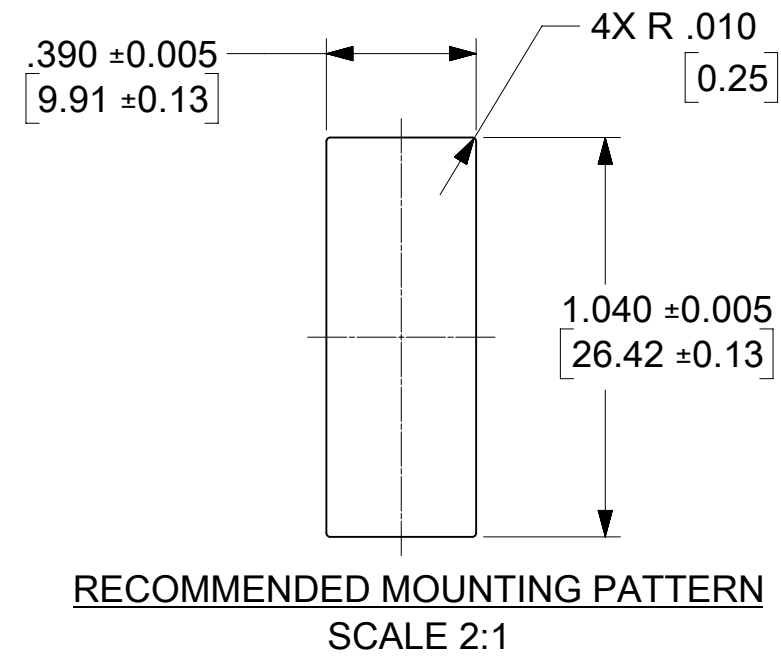
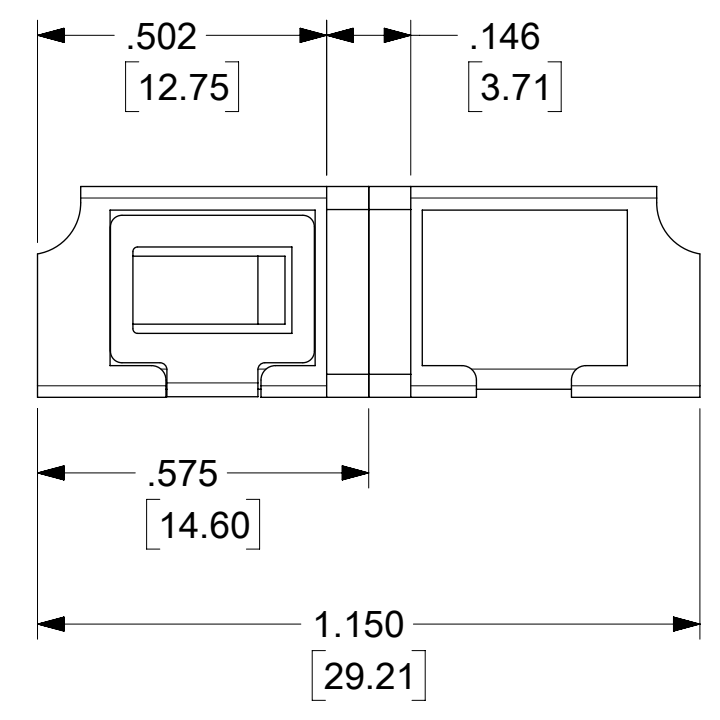
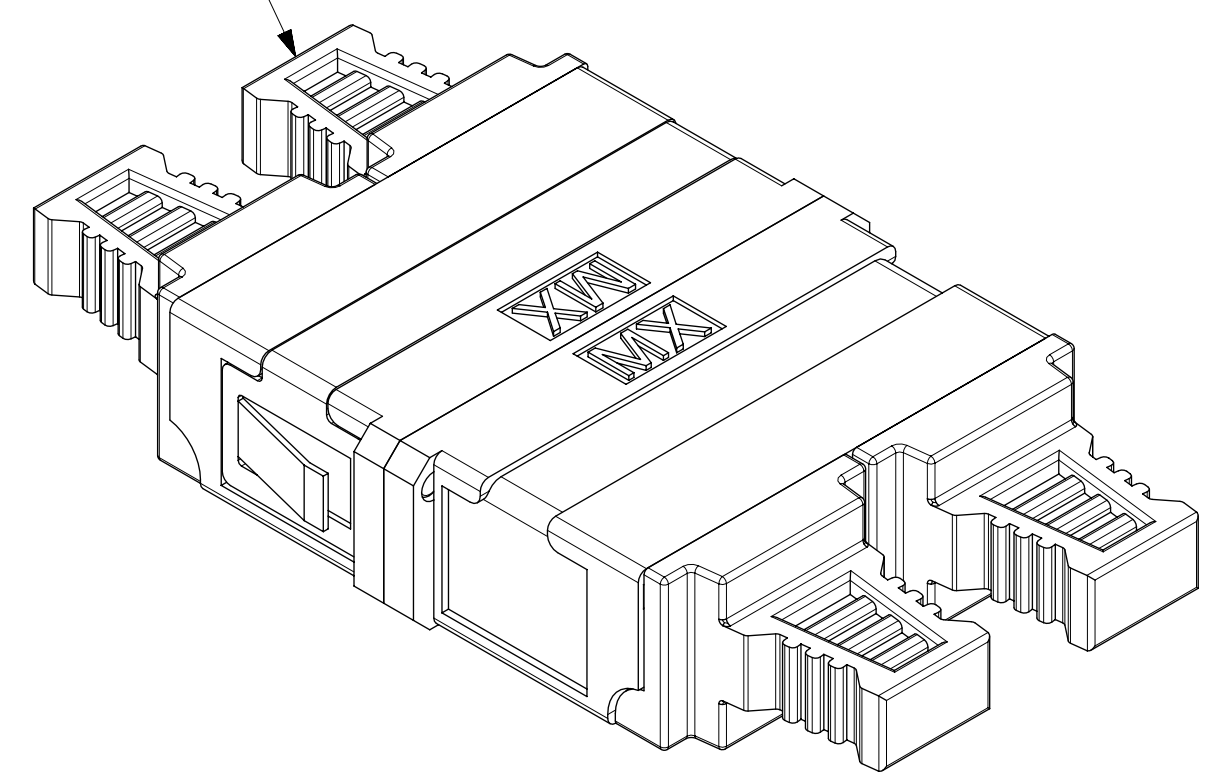


LC QUAD ADAPTER P/N	ADAPTER COLOR	SPLIT SLEEVE MATERIAL
1061230300	BLUE	Zr
1061231300	BEIGE	Zr
1061231320		Zr
1061231350	BLUE	Zr
1061232300	GREEN	Zr
1061233300	AQUA	Zr
1061233320		Zr



WHITE DUST CAP
(4X)



- NOTES:
1. ALL DIMENSIONS ARE FOR REFERENCE ONLY.
 2. DUST CAPS ARE SHOWN IN ISOMETRIC VIEWS ONLY.
 3. LC QUAD ADAPTER HAS SC DUPLEX ADAPTER FOOTPRINT.

FUNCTIONAL SYMBOLS	THIS DRAWING CONTAINS INFORMATION THAT IS PROPRIETARY TO MOLEX ELECTRONIC TECHNOLOGIES, LLC AND SHOULD NOT BE USED WITHOUT WRITTEN PERMISSION												
DIMENSION UNITS	SCALE	CURRENT REV DESC:											
HYBRID	3:1	EC NO: 689237 DRWN: JHUANG18 CHK'D: IGUMIN APPR: IGUMIN											
GENERAL TOLERANCES (UNLESS SPECIFIED)	ANGULAR TOL	±	°	4 PLACES	±	2021/12/10	2021/12/21	2021/12/21	2021/12/21	LC QUAD ADAPTER, SMALL FLANGE, SNAP MOUNT (SC DUPLEX FOOTPRINT)			
DIVISIONAL SYMBOLS	3 PLACES	±	2 PLACES	±	INITIAL REVISION:	2005/12/06	2005/12/06	2005/12/06	2005/12/06			DOCUMENT NUMBER	DOC TYPE
DRAFT WHERE APPLICABLE MUST REMAIN WITHIN DIMENSIONS	THIRD ANGLE PROJECTION	DRAWING	SERIES	MATERIAL NUMBER	CUSTOMER	SHEET NUMBER	SD-106123-X300	PSD	001	B	SEE TABLE	GENERAL MARKET	1 OF 1