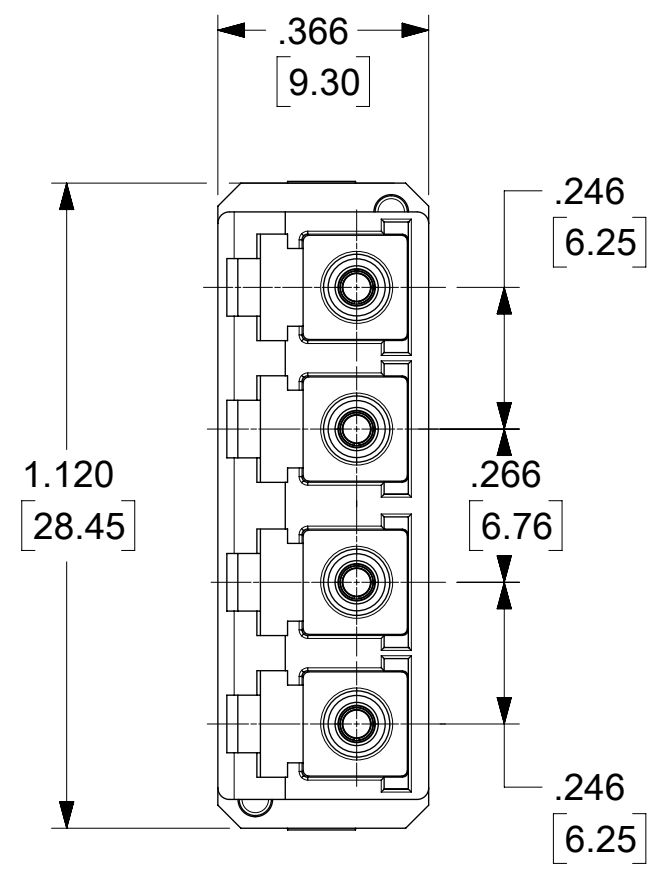
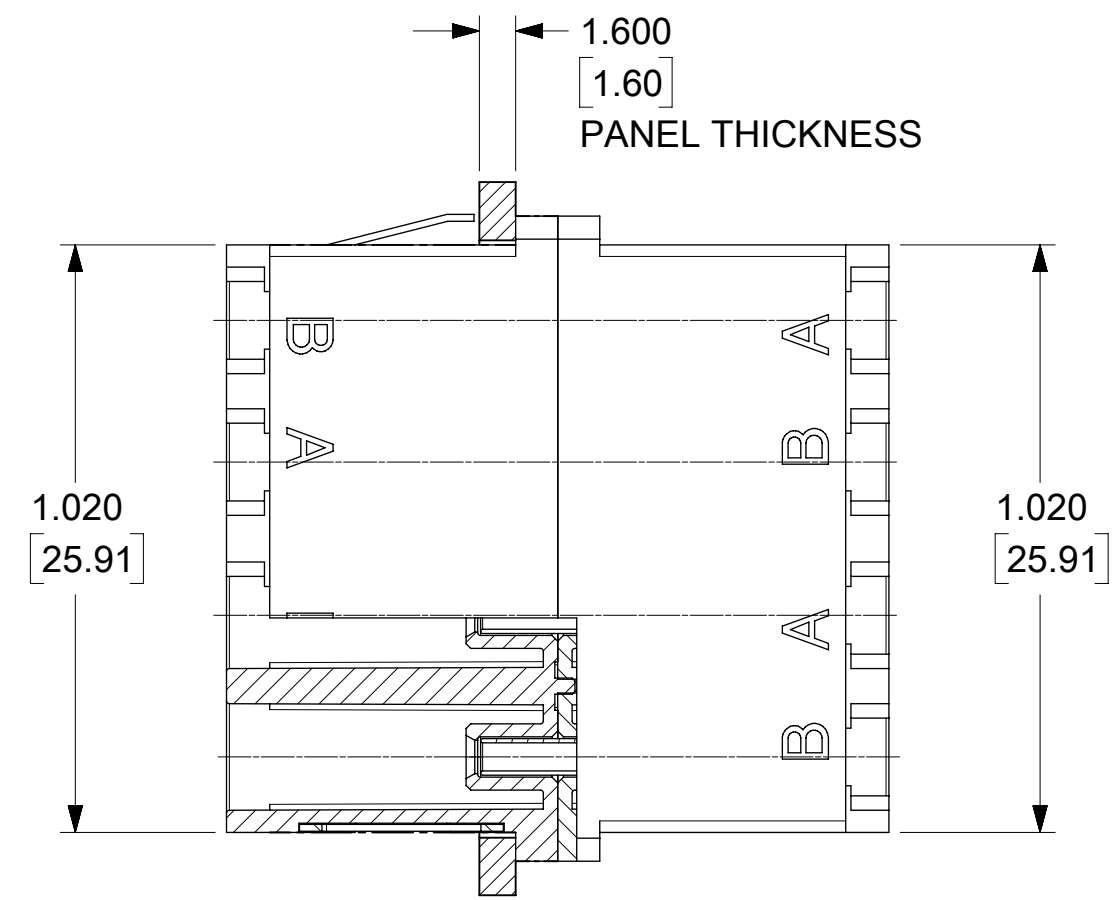
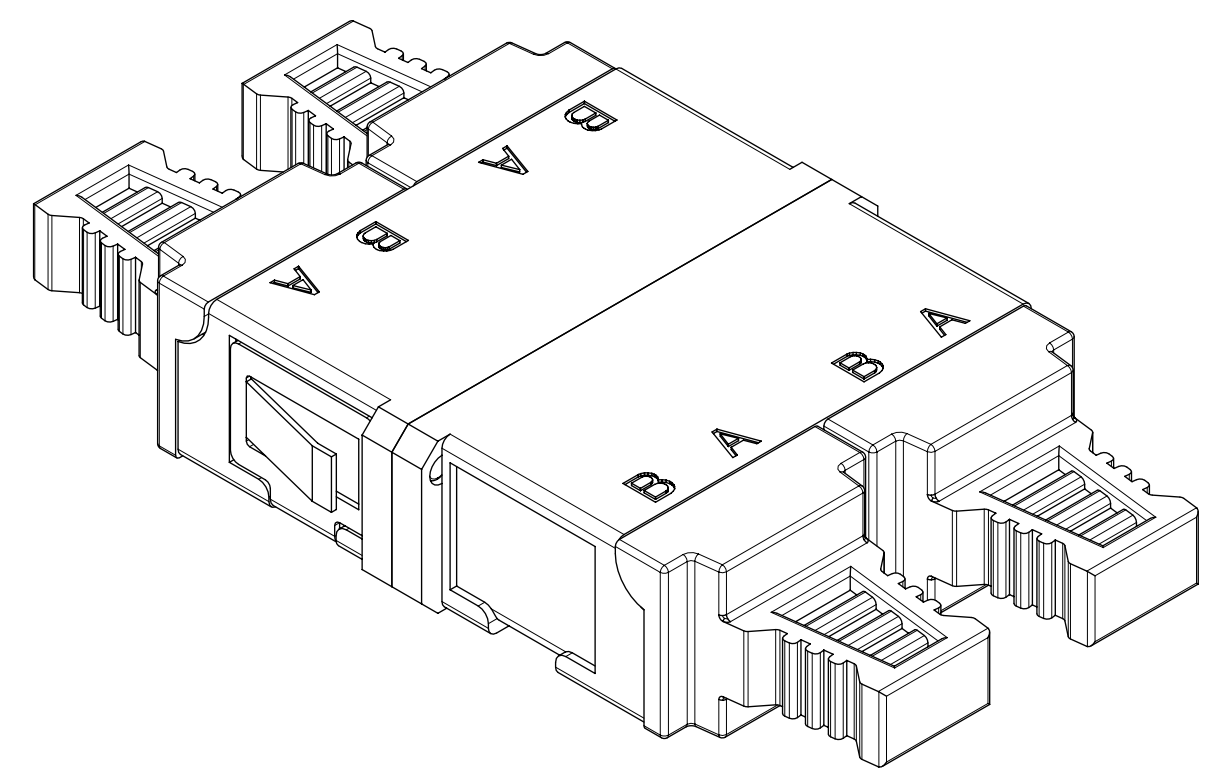
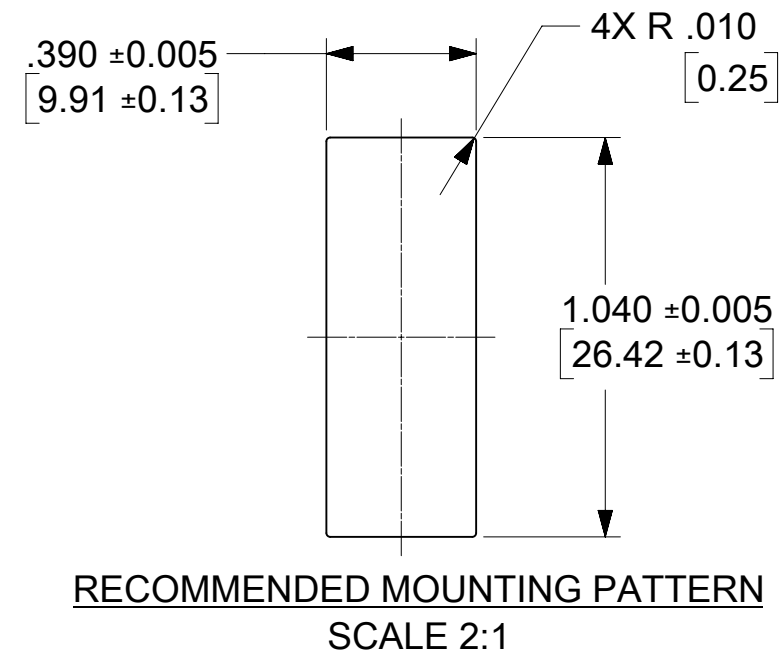
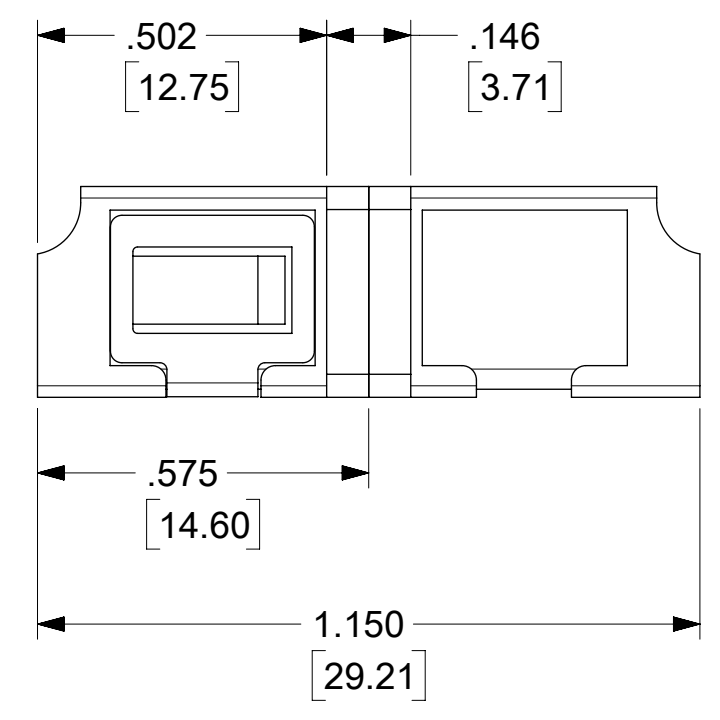
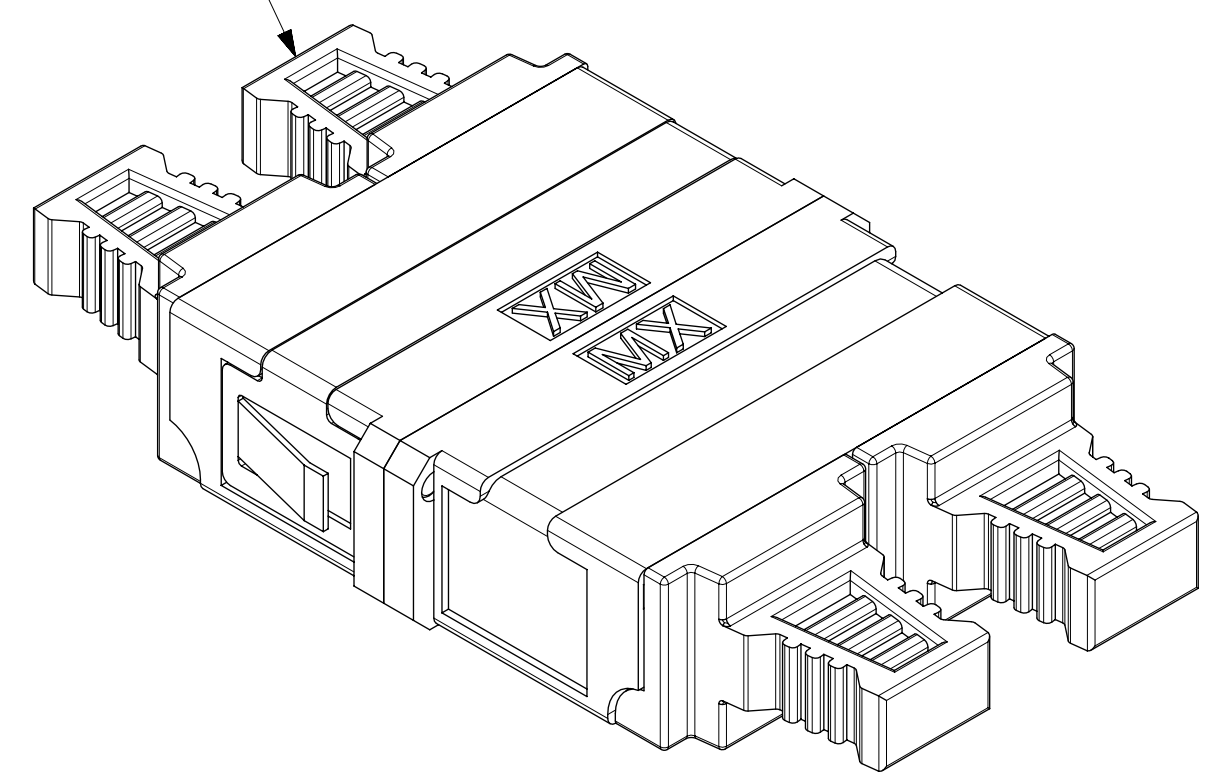


LC QUAD ADAPTER P/N	ADAPTER COLOR	SPLIT SLEEVE MATERIAL
1061230300	BLUE	Zr
1061231300	BEIGE	Zr
1061231320		Zr
1061231350	BLUE	Zr
1061232300	GREEN	Zr
1061233300	AQUA	Zr
1061233320		Zr



WHITE DUST CAP
(4X)



NOTES:

- ALL DIMENSIONS ARE FOR REFERENCE ONLY.
- DUST CAPS ARE SHOWN IN ISOMETRIC VIEWS ONLY.
- LC QUAD ADAPTER HAS SC DUPLEX ADAPTER FOOTPRINT.

FUNCTIONAL SYMBOLS		THIS DRAWING CONTAINS INFORMATION THAT IS PROPRIETARY TO MOLEX ELECTRONIC TECHNOLOGIES, LLC AND SHOULD NOT BE USED WITHOUT WRITTEN PERMISSION		CURRENT REV DESC:							
DIMENSION UNITS		SCALE		HYBRID 3:1						LC QUAD ADAPTER, SMALL FLANGE, SNAP MOUNT (SC DUPLEX FOOTPRINT)	
GENERAL TOLERANCES (UNLESS SPECIFIED)		ANGULAR TOL		4 PLACES ±		PRODUCT CUSTOMER DRAWING					
DIVISIONAL SYMBOLS		3 PLACES ±		2 PLACES ±		INITIAL REVISION:		DOCUMENT NUMBER		DOC TYPE DOC PART REVISION	
1 PLACE ±		0 PLACES ±		DRAFT WHERE APPLICABLE MUST REMAIN WITHIN DIMENSIONS		THIRD ANGLE PROJECTION		DRAWING		SHEET NUMBER	
EC NO: 689237		DRWN: JHUANG18		2021/12/10		SERIES		MATERIAL NUMBER		CUSTOMER	
CHK'D: IGUMIN		APPR: IGUMIN		2021/12/21		C-SIZE		106123		SEE TABLE	
DRWN: PGIBLIN		APPR: IGUMIN		2005/12/06		SERIES		GENERAL MARKET		1 OF 1	
SD-106123-X300		PSD		001		B					