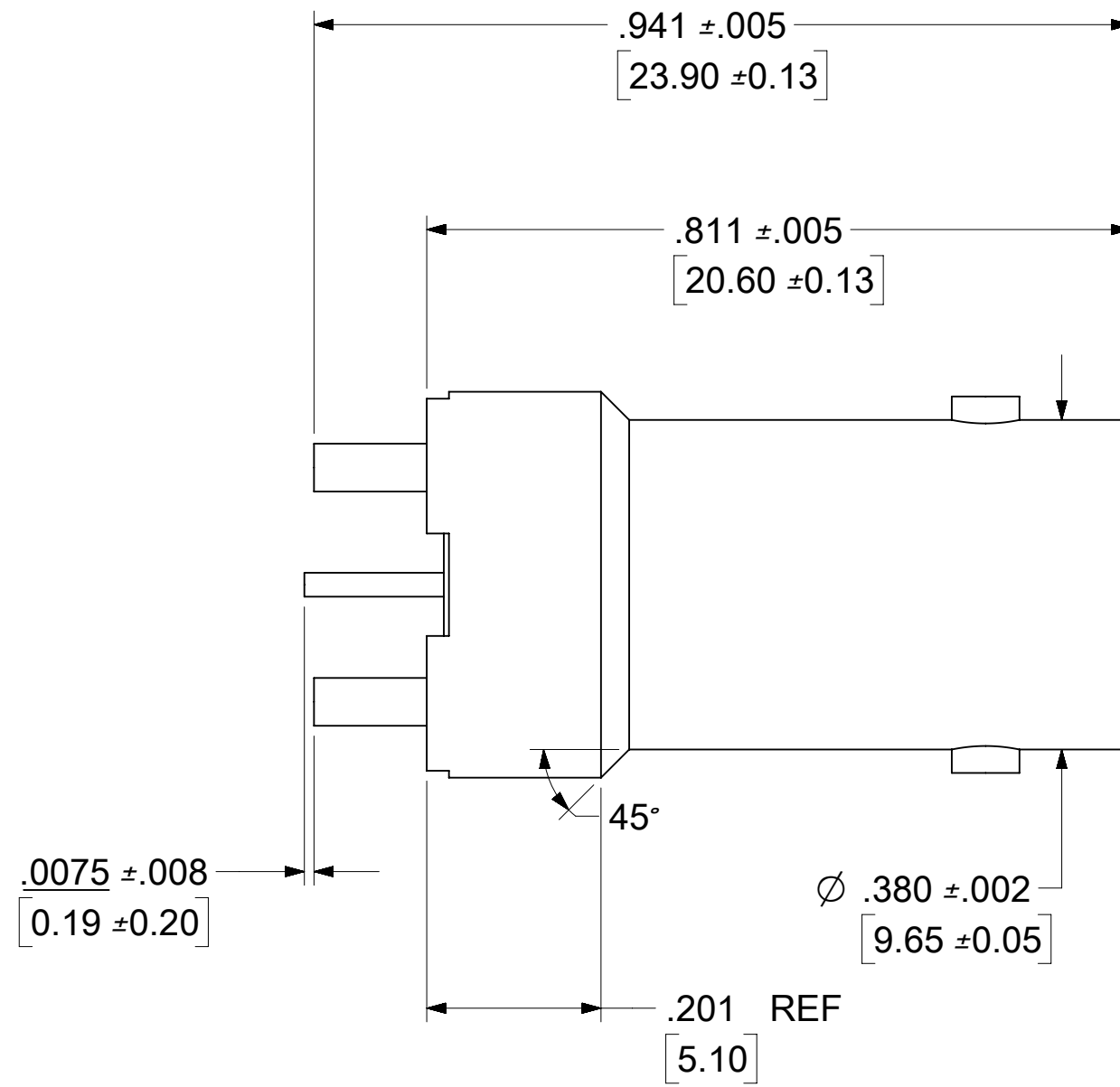
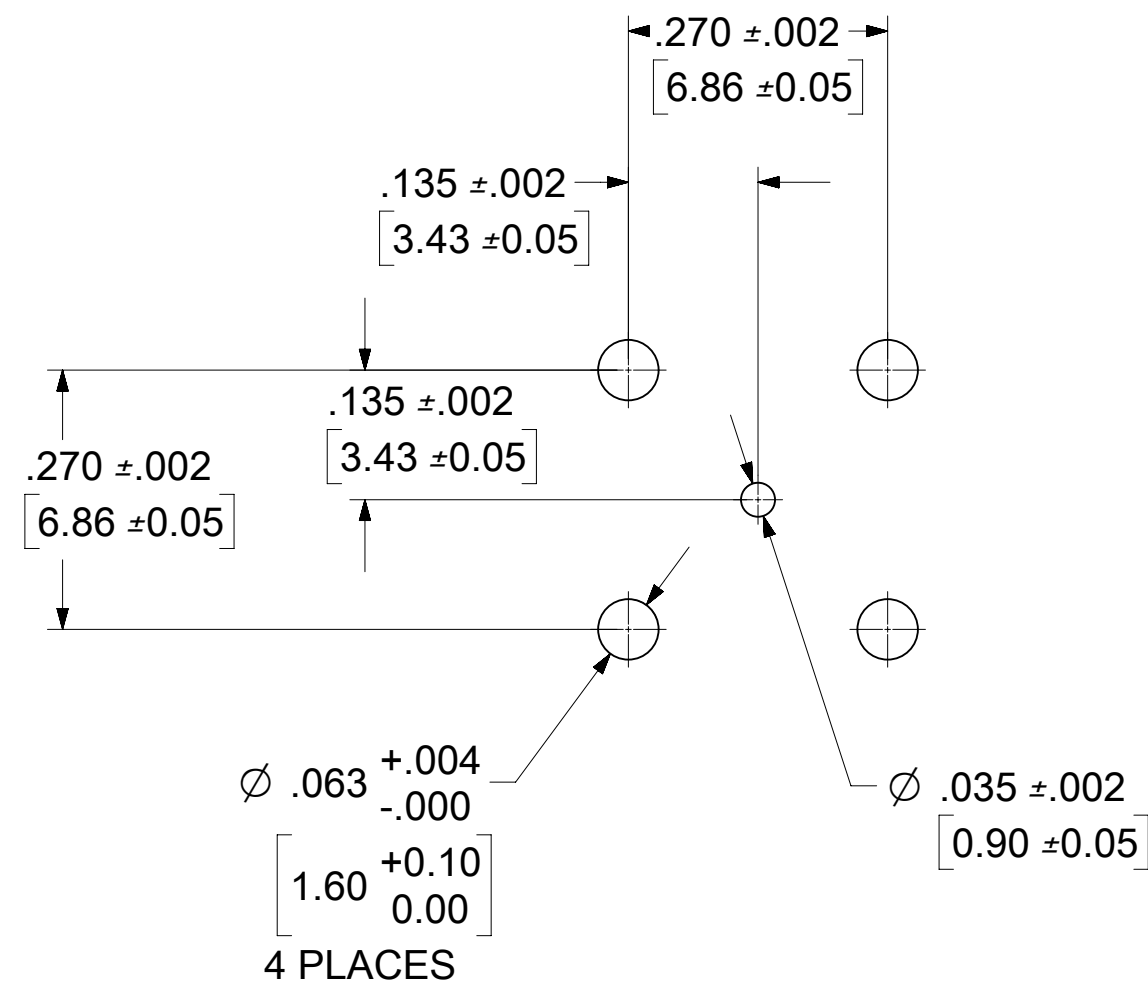
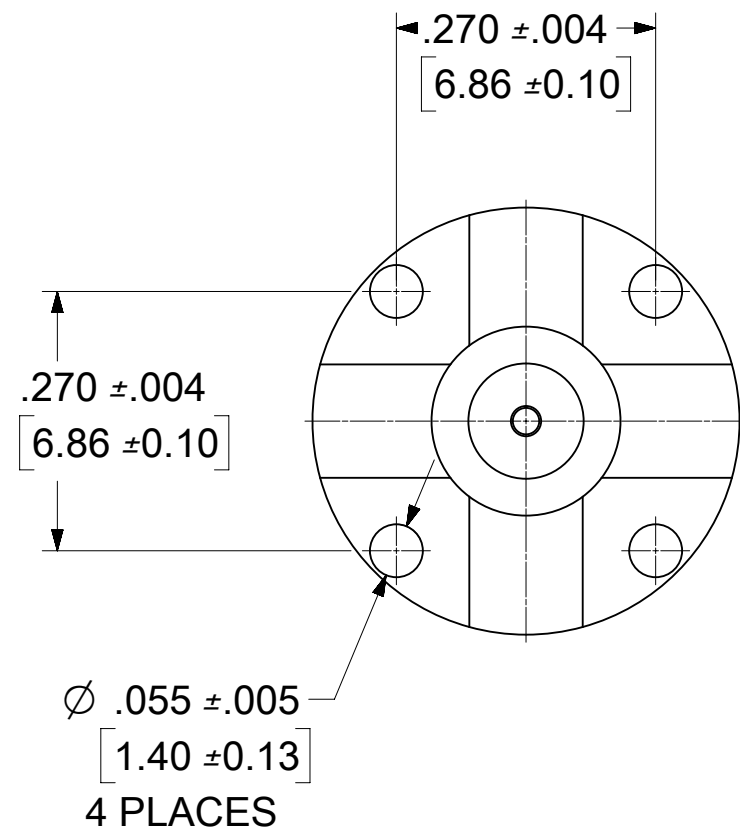
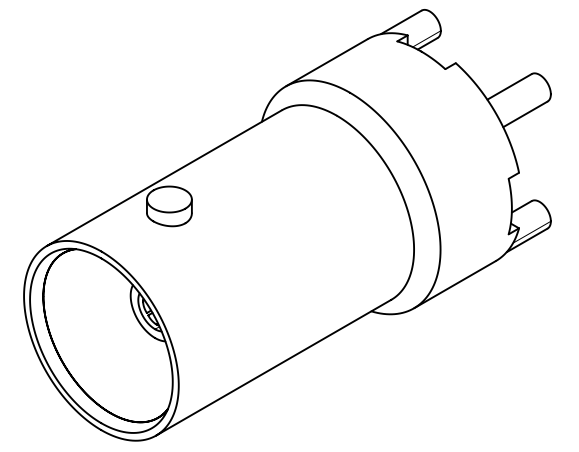


MATERIALS AND FINISHES

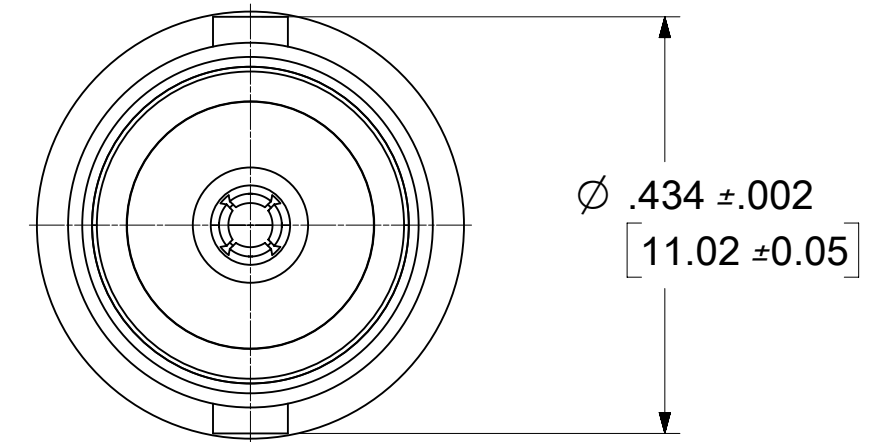
BODY ZINC ALLOY
PLATED NICKEL 70u" MIN

CENTER CONTACT
PHOSPHOR BRONZE
PLATED GOLD 30u" MIN

INSULATOR TEFLON



INTERFACE PER MOLEX
STANDARD ES-73599-0000



REV.	DATE	DESCRIPTION
C2	2018/04/26	MIGRATED TO ECTR ANGLE 45° WAS RADIUS ADD DIM 11.02±0.05; 9.62±0.05; DIM 5.10 REF PER EWR12043

THIS DRAWING CONTAINS INFORMATION THAT IS PROPRIETARY TO MOLEX ELECTRONIC TECHNOLOGIES, LLC AND SHOULD NOT BE USED WITHOUT WRITTEN PERMISSION									
DIMENSION UNITS		SCALE		CURRENT REV DESC:				molex	
HYBRID									
GENERAL TOLERANCES (UNLESS SPECIFIED)				EC NO: 176019				BNC JACK VERTICAL PCB 75 OHM BNC-J/PCB	
ANGULAR TOL ± 2.0°				DRWN: CWEI02 2018/04/26					
4 PLACES ±				CHK'D: YCHENG 2018/05/16				PRODUCT CUSTOMER DRAWING	
3 PLACES ±				APPR: YCHENG 2018/05/16					
2 PLACES ±				INITIAL REVISION:				DOCUMENT NUMBER	
1 PLACE ±				DRWN: CLLI 2002/05/07					
0 PLACES ±				APPR: MHUANG 2002/05/07				SD-73101-036	
DRAFT WHERE APPLICABLE MUST REMAIN WITHIN DIMENSIONS		THIRD ANGLE PROJECTION		DRAWING		SERIES		MATERIAL NUMBER	
		C-SIZE		73101		731010360		CUSTOMER	
						GENERAL MARKET		SHEET NUMBER	
								1 OF 1	

DOCUMENT STATUS	P1	RELEASE DATE	2018/05/16	03:55:41