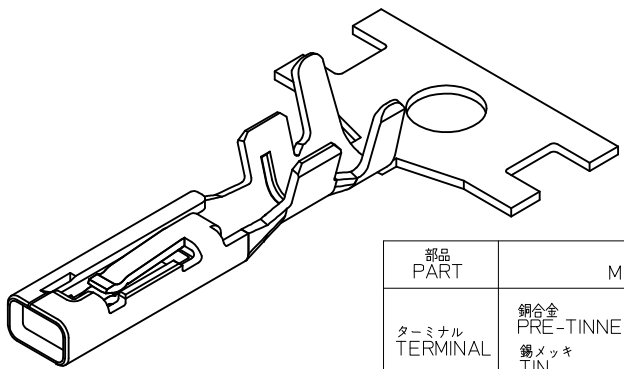
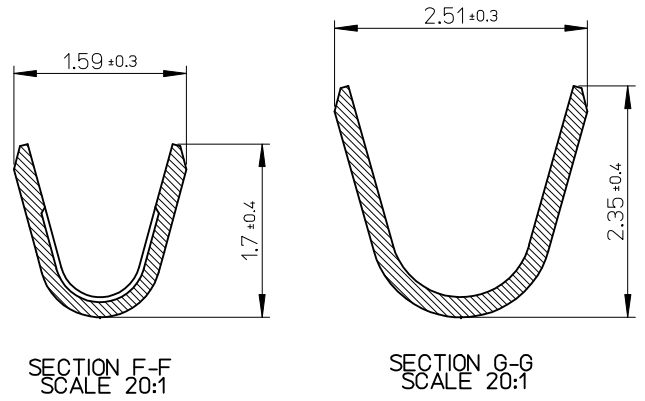


NOTES:
 1. $\triangle 1$ トレードマーク：MXプラス1文字の製造工場を示すアルファベットにて表示。
 但し、"J"はJAPANを示す。(例 MXJ)
 FORMED BY MX AND 1 MORE LETTER OF ALPHABET
 WHICH MEAN THE MANUFACTORY.
 BUT "J" MEANS JAPAN. (TO TRADE MARK)(e.g. MXJ)
 2. 嵌合相手：5050710101
 MATE WITH: 5050710101
 3. ELVおよびRoHS適合品
 ELV AND RoHS COMPLIANT.



5050730100	バラ状 LOOSE	505073
5050731100	連鎖状 CHAIN	
オーダー番号 ORDER No.	端子形状 FORM	CONNECTOR SERIES No.

部品 PART	材質 ② MATERIAL
ターミナル TERMINAL	銅合金 PRE-TINNED COPPER ALLOY 錫メッキ TIN ニッケルメッキ(下地) NICKEL UNDER PLATING
適用電線範囲 WIRE RANGE	絶縁被覆外径 INSURATION RANGE
AWG:#22~#26 MM ² :0.126~0.34	$\phi 0.9 \sim \phi 1.7$

REVISED EC NO.: J2015-1502 DRWN: TOKAMOTO02 2015/05/13 CHKD: AMIZUMURA 2015/05/15 APPR: MYAGI 2015/05/22	GENERAL TOLERANCES (UNLESS SPECIFIED)	
	0.25 UNDER	±0.03
	0.25 OVER 0.5 UNDER	±0.05
	0.5 OVER 1.0 UNDER	±0.1
	1.0 OVER 10 UNDER	±0.2
30 OVER	±0.25	
30 OVER	±0.3	
ANGULAR	±1 °	
DRAFT WHERE APPLICABLE MUST REMAIN WITHIN DIMENSIONS		

DIMENSION STYLE MM ONLY	
DRAWN BY HTONEGAWA	DATE 2013/10/31
CHECKED BY TNIITSU	DATE 2013/10/31
APPROVED BY MYAGI	DATE 2014/01/09
MATERIAL NO. SEE CHART	
SIZE A3	THIS DRAWING CONTAINS INFORMATION THAT IS PROPRIETARY TO MOLEX INCORPORATED AND SHOULD NOT BE USED WITHOUT WRITTEN PERMISSION

SCALE 10:1	DESIGN UNITS METRIC	THIRD ANGLE PROJECTION
TITLE 1CKT. LED CONN. W/B RECEPTACLE H=1.2		
DOCUMENT NO. SD-505073-001		SHEET NO. 1 OF 1