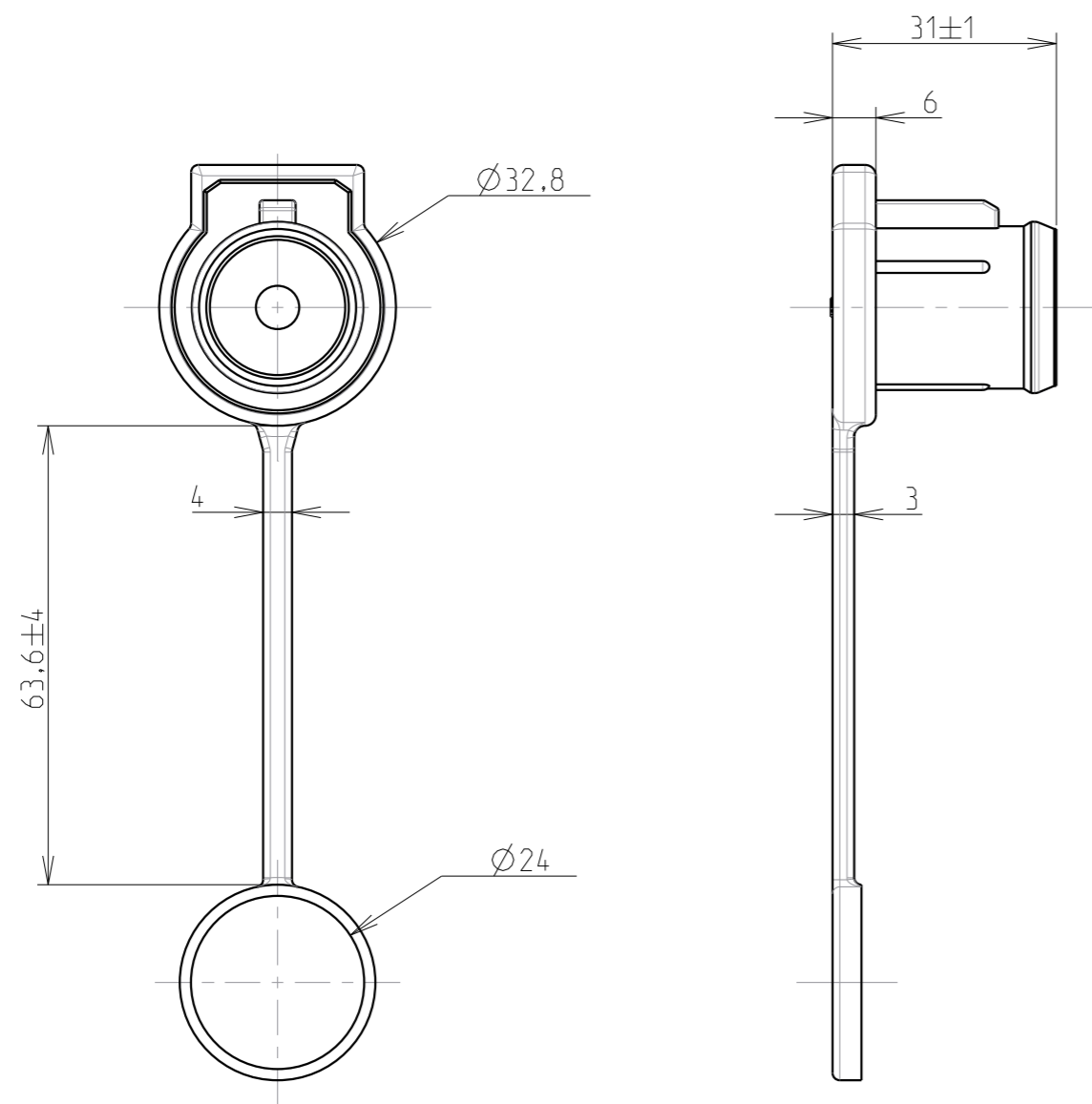


A.5: Validé

MASS ± 5%	12.80 g
-----------	---------



MATERIAL:

- ELASTOMER SHELL : EPDM black color

MECHANICAL AND ENVIRONMENTAL FEATURES:

- TEMPERATURE CLASS : 40 °C to 105 °C
- DURABILITY : 500 mate / unmate cycles
- SEALING IN MATED CONDITIONS (IEC60529) : IP67
- CORROSION SALT SPRAY : min 1000H

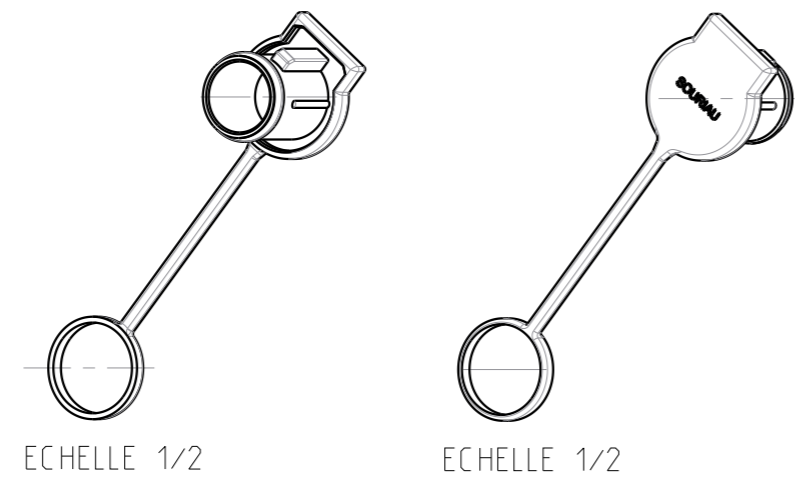
ROHS COMPLIANT

NOTES:

1. Counterpart reference UTL receptacle
2. Unit in mm

Country	Jurisdiction & Control List
FR	NOT LISTED

P/N : UTL12DCG



A	09/11/15	drawing format updated		
ISS	DATE	Latest modification - by:	LANDAIS.PE	MOD N°
Designed by:		LANDAIS.PE	Date:28/07/15	CUSTOMER DRAWING
TITLE		PLASTIC DUST CAR FOR RECEPTACLE SIZE 12 UTL CONNECTOR		
Scale	1/1	General Linear Tolerances: ± 0.5	NPRDS / PROJECT IC104404	
SOURIAU		WWW.SOURIAU.COM		This document is the property of SOURIAU It must not be reproduced or communicated without permission
FORMAT	A3	SOURIAU DRG N° UTL1-0074A-C01		SHEET 1 / 1

4
3
2
1

4
3
2
1

H G F E D C B A

H G F E D C B A