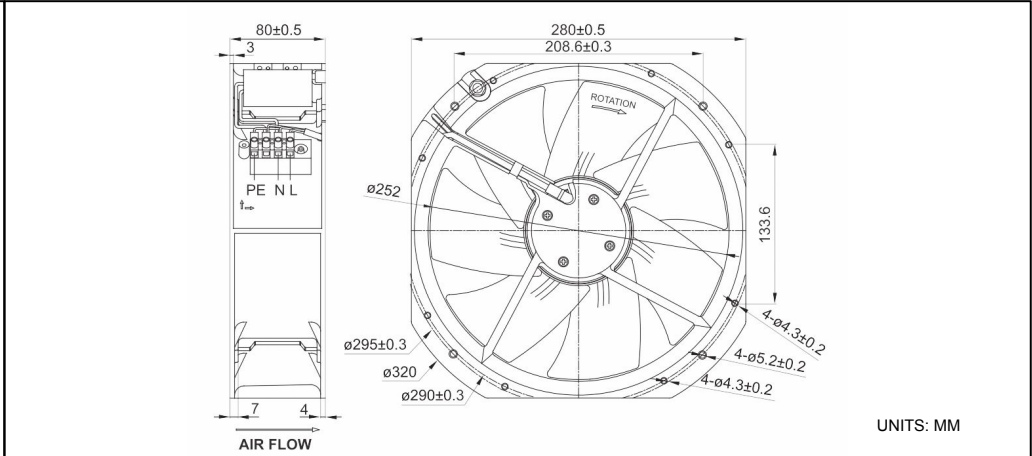


OA280AN All Metal Series



AC Fans - 115, 230V
280mm x 89mm
(11.0" x 3.5")



Frame	Die Cast Aluminum, Natural Finish	Operating Temperature -40°C ~ +80°C Storage Temperature -40°C ~ +100°C Life Expectancy 40,000 hours (L10 at 40°C) Installed Options IP55 Rated Motor Available Options Terminal Block Cover Weight: 6.2 lbs	
Impeller	Steel Alloy, All Metal		
Connection	Terminals		
Motor	AC, Capacitor Induction, Single Phase, Thermally Protected, IP55		
Bearing System	Ball Bearings		
Dielectric Strength	1500VAC/min, <1mA		
Insulation Resistance	≥10MΩ @ 500V DC		

Part Number	Rated Voltage (Volts AC)	Voltage Range (Volts AC)	Frequency (Hz)	Input Power (Watts)	Rated Current (Amps)	Rated Speed (RPM)	Max Airflow (CFM)	Noise Level (dB)	Max Static Pressure ("H ₂ O)
OA280AN-11-1TB18	115	100 ~ 125	50 / 60	112 / 148	1.00 / 1.50	2550 / 2700	1090 / 1130	68 / 70	0.78 / 0.65
OA280AN-22-1TB18	230	200 ~ 240	50 / 60	119 / 158	0.59 / 0.82	2550 / 2700	1090 / 1130	68 / 70	0.78 / 0.65