

## Device Overview

The IDT Tsi384 is a high-performance bus bridge that connects the PCI Express (PCIe) protocol to the PCI and PCI-X bus standards.

The Tsi384's PCIe Interface has superior performance and supports 1, 2, or 4 lanes. This enables the bridge to offer exceptional throughput performance of up to 1 GBps.

The device's PCI/X Interface can operate up to 133 MHz in PCI-X mode, or up to 66 MHz in PCI mode. This interface offers designers extensive flexibility by supporting three types of addressing modes: transparent, opaque, and non-transparent.

## Low Power Consumption

The Tsi384 has typical power consumption of 1.3W, and incorporates advanced power management to minimize power consumption during operation. In addition to supporting D0, D3 hot, and D3 cold power management modes, the device permits unused PCIe lanes to be powered off automatically or by configuration.

## Transparent, Non-transparent, and Opaque Bridging

Transparent mode operation is available for efficient, flow-through configurations, while non-transparent bridging allows isolation between the Tsi384's PCIe and the PCI/X domains. Non-transparent bridging also enables multi-host systems and is used in applications such as storage adapters. Opaque mode provides semi-transparent operation for multi-processor configurations and enhanced private device support.

## High Performance

The Tsi384 incorporates many advanced PCIe protocols that increase system performance, including: Lane Reversal and Polarity Inversion, end-to-end CRC, ASPM L0 link state power management, and Hot Plug. In addition to low-latency operation, the device supports a maximum payload size of up to 512 bytes to allow better throughput efficiency.

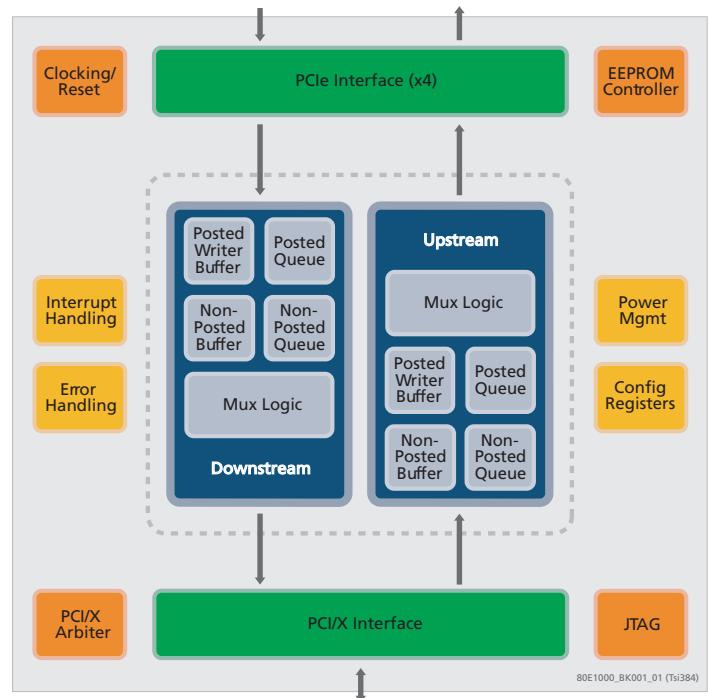


Figure 1 Tsi384 Block Diagram

## Features

- General
  - PCI Express to PCI/PCI-X Forward bridge
  - Transparent, Non-transparent, and Opaque modes
  - Low latency – Superior queuing and buffering architecture maximize throughput and minimize latency
  - Compliant with the following specifications:
    - PCI Express Base 1.1
    - PCI Express PCI/PCI-X Bridge 1.0
    - PCI-to-PCI Bridge Architecture 1.2
    - PCI Local Bus 3.0
    - PCI-X 2.0 (mode 1 only)
    - PCI Bus Power Management Interface 1.2

- **PCI Express**
  - Configurable as 1, 2, or 4 lanes
  - 512-byte maximum payload
  - Advanced error reporting capability
  - Supports Lane Reversal and Lane Polarity Inversion
  - End-to-end CRC check and generation
  - Up to four outstanding memory reads
  - ASPM L0s link state power management
  - Legacy interrupt signaling and MSI interrupts
  - Hot Plug support
- **PCI/PCI-X**
  - 32/64-bit addressing
  - 32/64-bit data
  - PCI-X operation at 50, 66, 100, and 133 MHz
  - PCI operation at 25, 33, 50, and 66 MHz
  - Up to eight outstanding memory reads
  - 4K read completion buffer
  - Four external PCI/X masters supported through internal arbiter
  - Support for external arbiter
- **Other**
  - Support for Masquerade mode
  - JTAG IEEE 1149.1, 1149.6
  - Support for D0, D3 hot, D3 cold power management states
  - 1.2V core power supply
  - 1.3W typical power consumption (x4 PCIe to 133-MHz PCI-X)
  - Packaged in 17x17 mm, 256-pin PBGA
  - Package pinout and footprint compatible with PLX8114

## Benefits

- Enhances system performance by delivering high throughput and low latency across bus interfaces
- Simplifies system design by offering numerous programmable features
- Minimizes system power consumption by providing comprehensive power management

## Typical Applications

The Tsi384 is suited to applications that need to bridge from PCIe to downstream PCI-X and PCI devices. Its flexibility, high performance, small footprint, and low power consumption, make it ideal for a wide range of applications, including:

- Storage Area Network (SAN, RAID HBA cards)
- Network Attached Storage, Direct Attached Storage (NAS, DAS)
- Line cards and NICs

- Routers and switches
- Motherboards (server, SBC, industrial PC)
- PC adapter cards (communications, graphics, imaging, and multimedia)
- Multi-function printers
- Digital video recorders

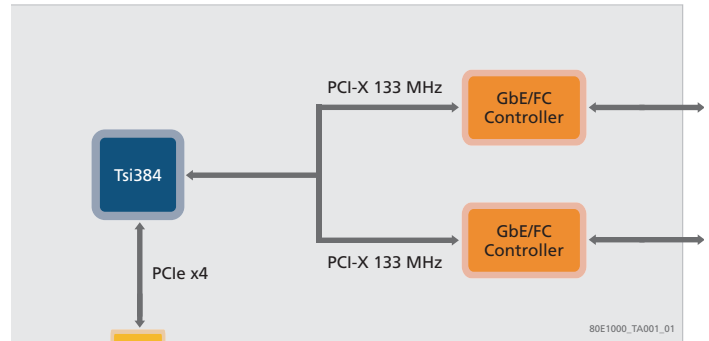


Figure 2 HBA Card Application

## IMPORTANT NOTICE AND DISCLAIMER

RENESAS ELECTRONICS CORPORATION AND ITS SUBSIDIARIES (“RENESAS”) PROVIDES TECHNICAL SPECIFICATIONS AND RELIABILITY DATA (INCLUDING DATASHEETS), DESIGN RESOURCES (INCLUDING REFERENCE DESIGNS), APPLICATION OR OTHER DESIGN ADVICE, WEB TOOLS, SAFETY INFORMATION, AND OTHER RESOURCES “AS IS” AND WITH ALL FAULTS, AND DISCLAIMS ALL WARRANTIES, EXPRESS OR IMPLIED, INCLUDING, WITHOUT LIMITATION, ANY IMPLIED WARRANTIES OF MERCHANTABILITY, FITNESS FOR A PARTICULAR PURPOSE, OR NON-INFRINGEMENT OF THIRD PARTY INTELLECTUAL PROPERTY RIGHTS.

These resources are intended for developers skilled in the art designing with Renesas products. You are solely responsible for (1) selecting the appropriate products for your application, (2) designing, validating, and testing your application, and (3) ensuring your application meets applicable standards, and any other safety, security, or other requirements. These resources are subject to change without notice. Renesas grants you permission to use these resources only for development of an application that uses Renesas products. Other reproduction or use of these resources is strictly prohibited. No license is granted to any other Renesas intellectual property or to any third party intellectual property. Renesas disclaims responsibility for, and you will fully indemnify Renesas and its representatives against, any claims, damages, costs, losses, or liabilities arising out of your use of these resources. Renesas' products are provided only subject to Renesas' Terms and Conditions of Sale or other applicable terms agreed to in writing. No use of any Renesas resources expands or otherwise alters any applicable warranties or warranty disclaimers for these products.

(Rev.1.0 Mar 2020)

### Corporate Headquarters

TOYOSU FORESIA, 3-2-24 Toyosu,  
Koto-ku, Tokyo 135-0061, Japan  
[www.renesas.com](http://www.renesas.com)

### Contact Information

For further information on a product, technology, the most up-to-date version of a document, or your nearest sales office, please visit:  
[www.renesas.com/contact/](http://www.renesas.com/contact/)

### Trademarks

Renesas and the Renesas logo are trademarks of Renesas Electronics Corporation. All trademarks and registered trademarks are the property of their respective owners.