



PRODUCT SPECIFICATION SHEET

CUSTOMER : _____
PRODUCT TYPE : SMD TUNING FORK 7.0X1.5
NOMINAL FREQ. : 32.768000KHz
FL P/N : 7PSQ327002-Q
REVISION : A0
CUSTOMER P/N : _____

CUSTOMER'S APPROVAL&DATE

--

FL CORPORATION

APPROVED	CHECKED	DESIGNED
Jay Lee	Jin Qi	Chen XuanRu

MSL 1
RoHS Compliant



CONTENTS

PAGE

- ELECTRICAL SPECIFICATIONS & ENVIRONMENTAL 2
- DIMENSIONS & MARKING 3
- REFLOW PROFILE 4
- PACKAGING REQUIREMENT 5/6

ATTACHMENT (optional)

- ELECTRICAL CHARACTERISTICS TEST A YES NO
- TEMPERATURE CHARACTERISTICS TEST B YES NO



ELECTRICAL SPECIFICATIONS

PARAMETER	VALUE
NOMINAL FREQUENCY	32.768 kHz
FREQUENCY TOLERANCE AT 25°C	±20 PPM MAX
TURNOVER TEMPERATURE	25°C ± 5°C
TEMPERATURE CONSTANT	-0.035±0.008 PPM/°C ²
LOAD CAPACITANCE	12.5 pF
EQUIVALENT SERIES RESISTANCE	55 kΩ MAX
DRIVE LEVEL	1 μW MAXIMUM
SHUNT CAPACITANCE	1.5 pF MAXIMUM
AGING	±5 PPM PER YEAR MAXIMUM
OPERATING TEMPERATURE RANGE	-40°C to +85°C EXTENDED
STORAGE TEMPERATURE RANGE	-55°C to +125°C

ENVIRONMENTAL

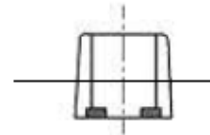
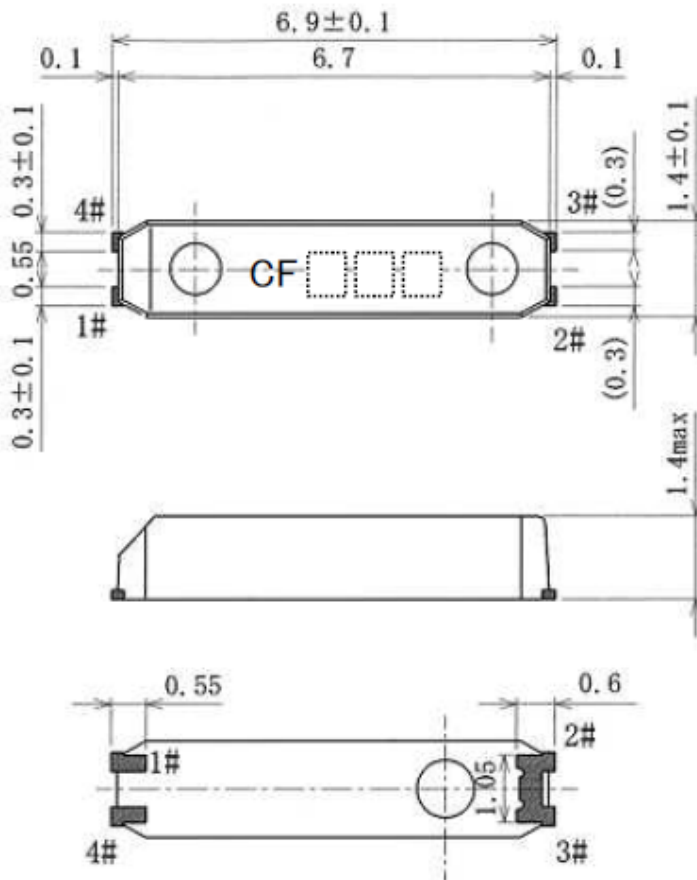
PARAMETER	VALUE
MOISTURE SENSITIVITY LEVEL	1
RoHS-2	5/6 COMPLIANT, EXEMPTION 7a
REACH SVHC	COMPLIANT
HALOGEN-FREE	COMPLIANT
ESD CLASSIFICATION LEVEL	N/A
TERMINATION FINISH	Sn





DIMENSIONS

(UNIT:mm)



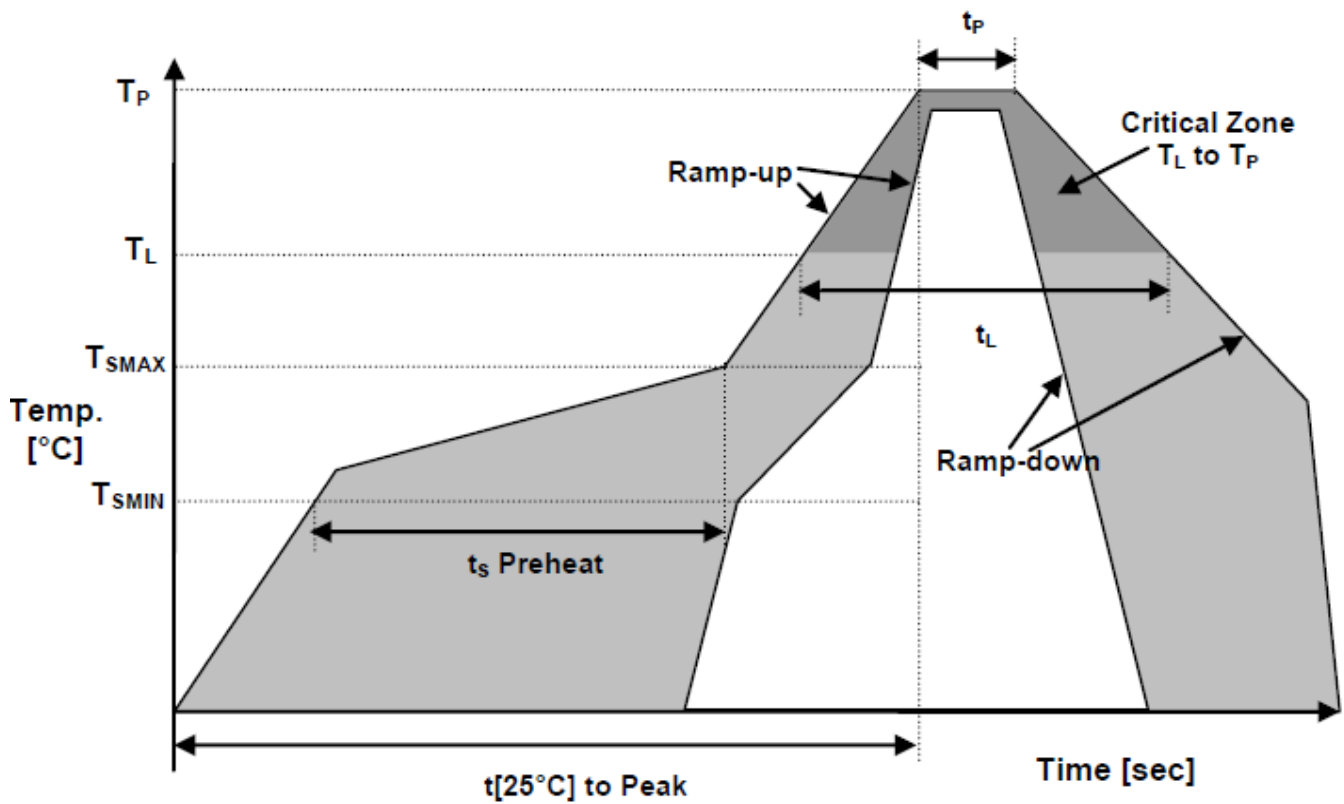
MARKING

$\frac{C}{*1}$ $\frac{F}{*2}$ $\frac{\square}{*3}$ $\frac{\square\square}{*4}$

- *1 Frequency
- *2 Specification
- *3 Year of Production
(Last digit of year)
- *4 Week of Production
(01~52)



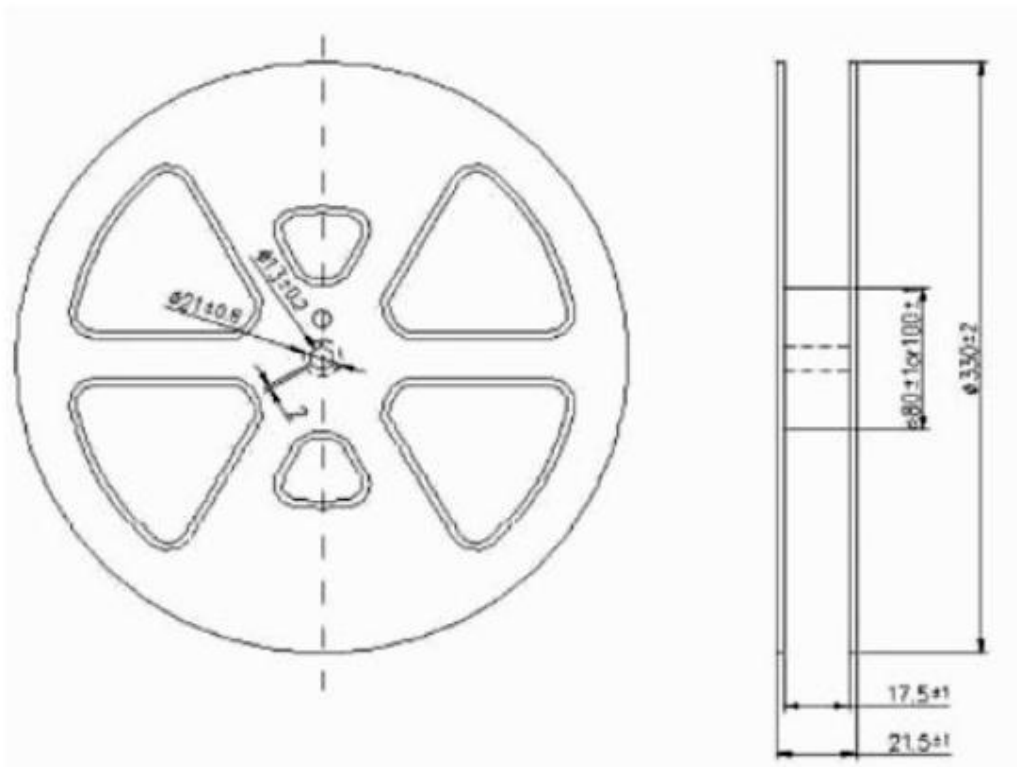
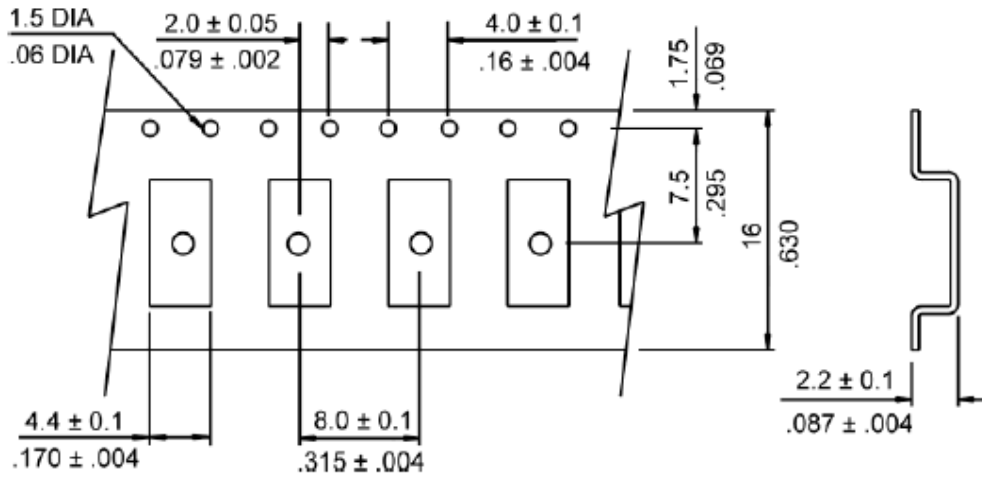
REFLOW PROFILE



Reflow profile		
Temperature Min Preheat	T_{SMIN}	125°C
Temperature Max Preheat	T_{SMAX}	150°C
Time (T_{SMIN} to T_{SMAX})	t_s	30-60 sec.
Temperature	T_L	217°C
Peak Temperature	T_P	230°C
Ramp-up rate	R_{UP}	3°C/s max.
Ramp-down rate	R_{DOWN}	6°C/s max.
Time within 5°C of Peak Temperature	t_p	10 s
Time $t[25^\circ\text{C}]$ to Peak Temperature	$t[25^\circ\text{C}]$ to Peak	120 s
Time	t_L	60-150 s







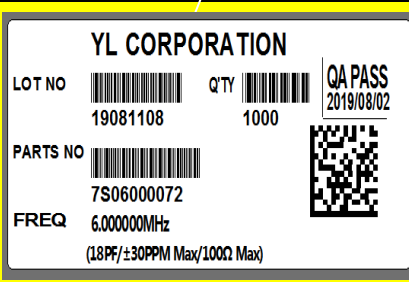

PACKING :



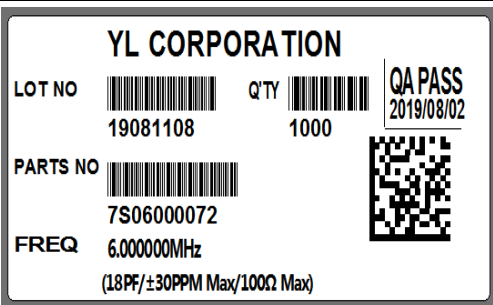


SMD PRODUCT PACKING STANDARD

Out-going packing instruction

Reel Packing	Inner Packing	Carton
name: reel standard: diameter 18cm material: plastics	name: inner box standard: L19.0xW19.0xH2.5cm material: B corrugated paper	name: carton standard: L34.0xW22.0xH22.0cm material: AB corrugated paper(10 boxes enter)
		
		

The label instruction

Label Drawing	Mark	Name of Article	Spec.	Size	Printing
	L1	条码标签 Bar Code Label (Chintz Paper)	1.Date Code 2.Lot No. 3.Part No. 4.Freq 5.Q'ty	75x35mm	White

Remark

Specifications on the label is for the use of templates with different product specifications may vary.
If customer specified requirements for labels packaging. please provide the operation procedure.

