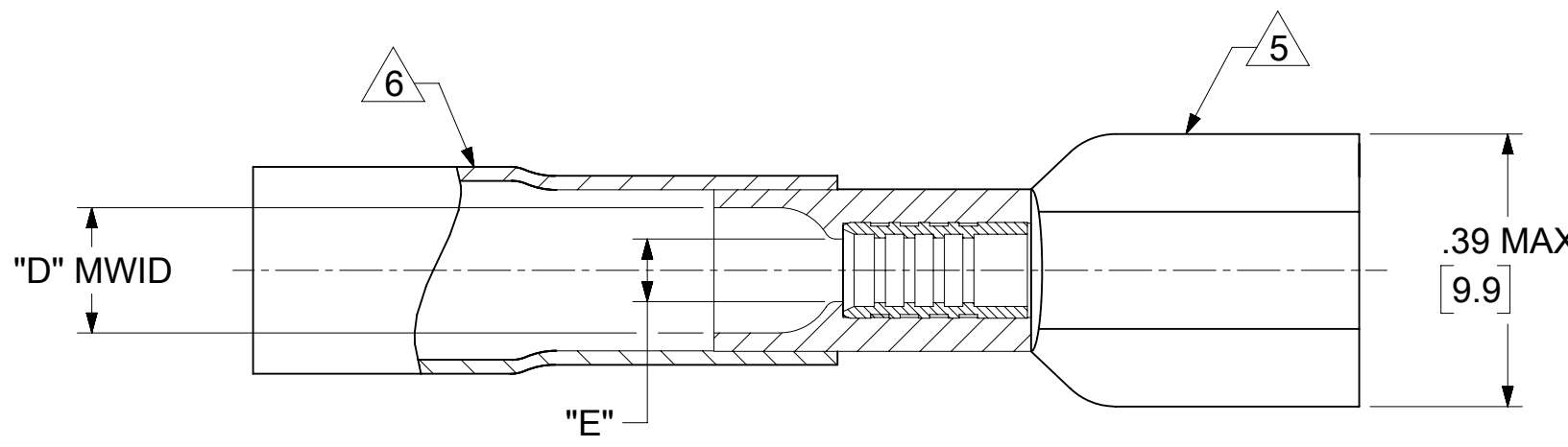
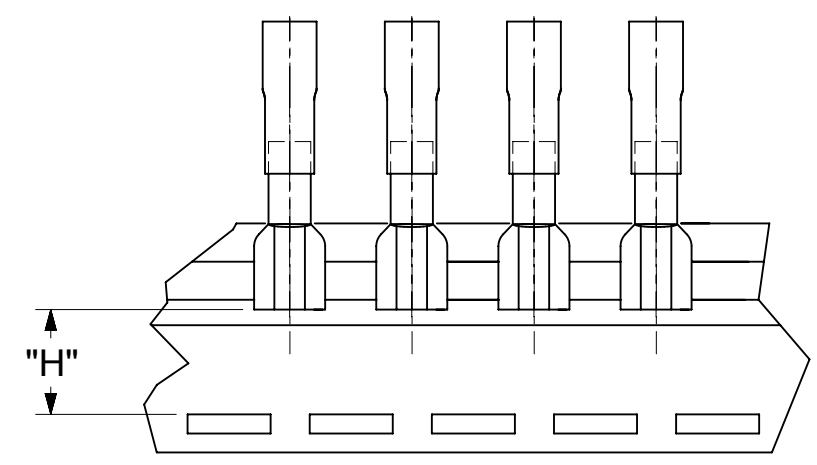
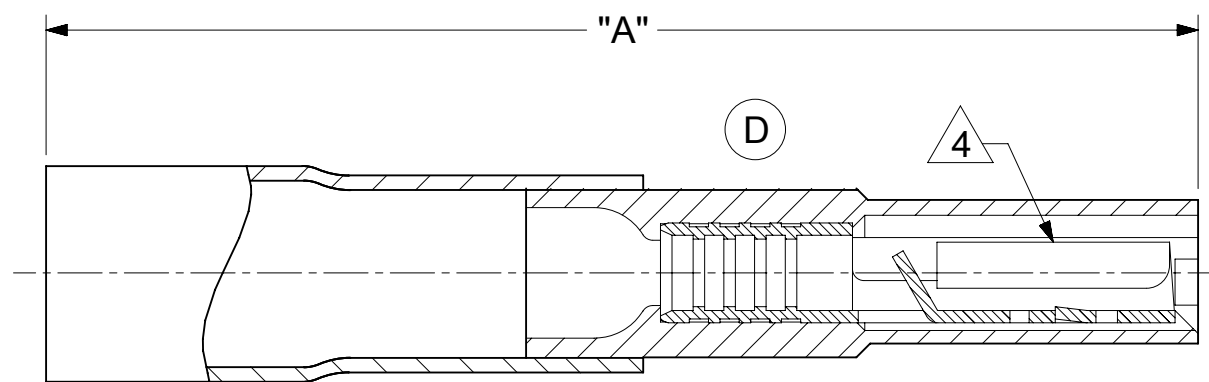


| MAT'L NO. | ENG NO. | DESCRIPTION | MAT'L NO. TAPE | ENG NO. TAPE | WIRE SIZE AWG | FITS MALE TAB | PERMA-SEAL COLOR | "A" MAX | "D" MWID | "E" MIN | "H" NOMINAL |
|-----------|----------|---------------------------|----------------|--------------|--------------------|---------------|------------------|-------------|-----------|-------------|-------------|
| 191640017 | SAA-9261 | PERMA-SEAL, COUPLER ASSY | 191640018 | SAA-9261T | 22-18 (0.25 - 1.5) | .250 x .032 | RED | 1.70 (43.2) | .17 (4.3) | .081 (2.05) | .55 (14.0) |
| 191640050 | SBB-9263 | | 191640051 | SBB-9263T | 16-14 (1.0 - 2.5) | | BLUE | | | | |
| 191640076 | SC-9281 | PERMA-SEAL, AVIKRIMP ASSY | 191640305 | SC-9281T | 12-10 (4.0 - 6.0) | | YELLOW | 1.72 (43.7) | .23 (5.8) | .140 (3.56) | .56 (14.2) |



ASSY PART NUMBER:
191640017 & 191640050
CROSS-SECTION VIEW



TAPE MOUNTING DETAIL

- NOTE(S):
- FEMALE RECEPTACLE CONFORMS TO UL310.
 - ALL DIMENSIONS SHOWN ARE BEFORE SHRINK TUBING IS HEATED.
 - "MWID" = MAXIMUM WIRE INSULATION DIAMETER
 - TERMINAL MATERIAL: .018 (0.46) THICK BRASS. PLATING: TIN
 - INSULATION MATERIAL: MOLDED NYLON.
 - NYLON TUBING WITH HOTMELT INNER LINER. (SEE CHART FOR COLOR).
 - ALL PARTS ARE RoHS COMPLIANT.

| | | | | | | | | | | | |
|---|--|---------------------------------------|--|------------------------|--|---|--|----------------|--|-----------------|--|
| THIS DRAWING CONTAINS INFORMATION THAT IS PROPRIETARY TO MOLEX ELECTRONIC TECHNOLOGIES, LLC AND SHOULD NOT BE USED WITHOUT WRITTEN PERMISSION | | | | | | | | | | | |
| FUNCTIONAL SYMBOLS | | DIMENSION UNITS | | SCALE | | CURRENT REV DESC: ADD .200 GAP PER PCN #511248. | | | | | |
| FA = 0 | | IN/MM | | NTS | | molex PERMA-SEAL COUPLER FEMALE RECEPTACLE PRODUCT CUSTOMER DRAWING DOCUMENT NUMBER: SD-19164-020 DOC TYPE: PSD DOC PART: 001 REVISION: D EC NO: 697037 DRWN: DMYRICK 2021/08/04 CHK'D: JMACNEIL 2022/07/05 APPR: JMACNEIL 2022/07/05 INITIAL REVISION: 2003/03/06 DRWN: BENDERLE APPR: RDEROSS 2003/03/07 MATERIAL NUMBER: 19164 CUSTOMER: GENERAL MARKET SHEET NUMBER: 1 OF 1 | | | | | |
| FE = 0 | | GENERAL TOLERANCES (UNLESS SPECIFIED) | | | | | | | | | |
| FD = 0 | | MM | | INCH | | | | | | | |
| DIVISIONAL SYMBOLS | | 4 PLACES ± | | ± | | | | | | | |
| | | 3 PLACES ± | | ± | | | | | | | |
| | | 2 PLACES ± | | ± | | | | | | | |
| | | 1 PLACE ± | | ± | | | | | | | |
| | | 0 PLACES ± | | ± | | | | | | | |
| | | ANGULAR TOL ± ° | | ° | | | | | | | |
| DRAFT WHERE APPLICABLE MUST REMAIN WITHIN DIMENSIONS | | | | THIRD ANGLE PROJECTION | | DRAWING | | SERIES | | MATERIAL NUMBER | |
| | | | | B-SIZE | | 19164 | | GENERAL MARKET | | 1 OF 1 | |