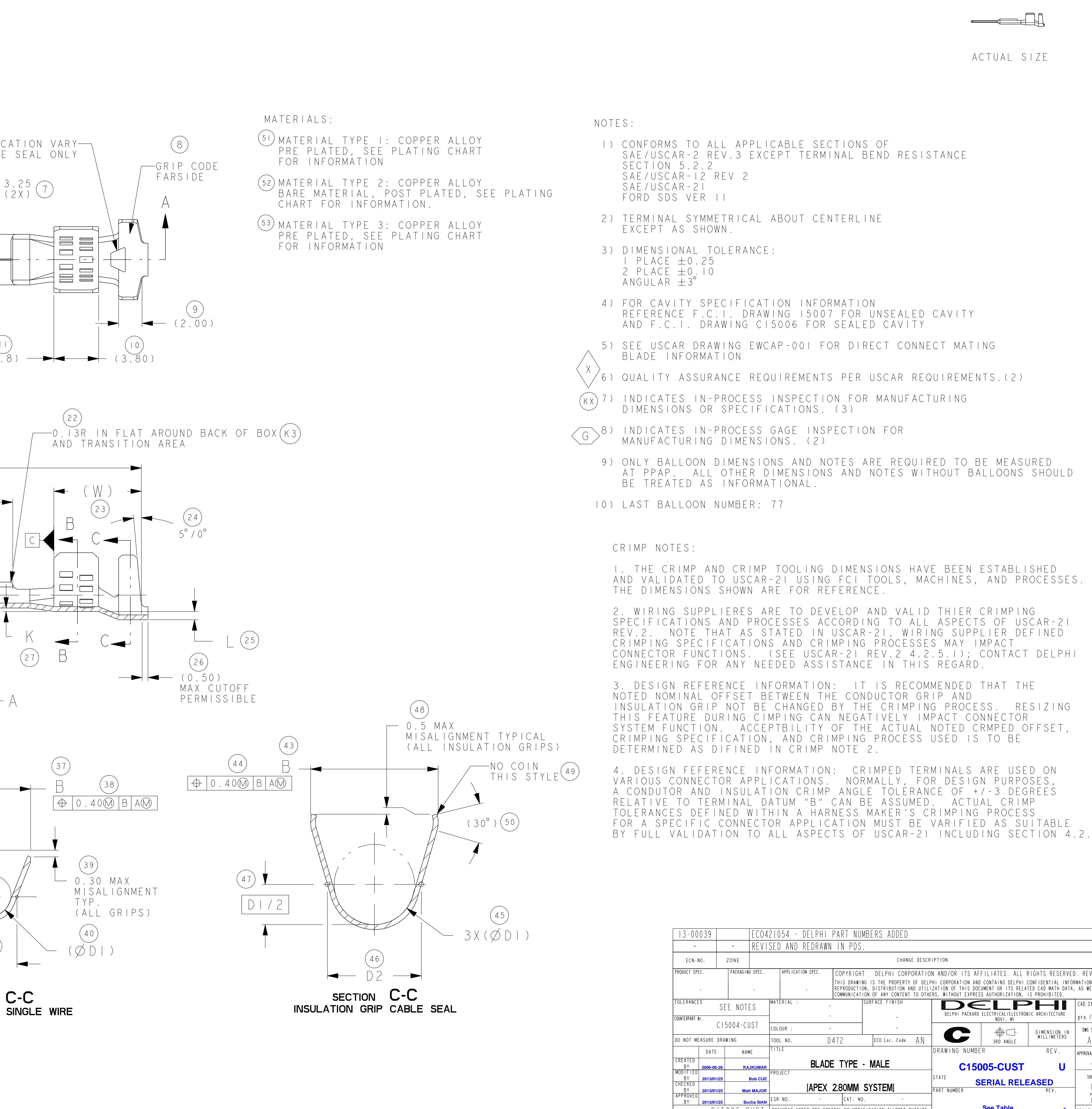
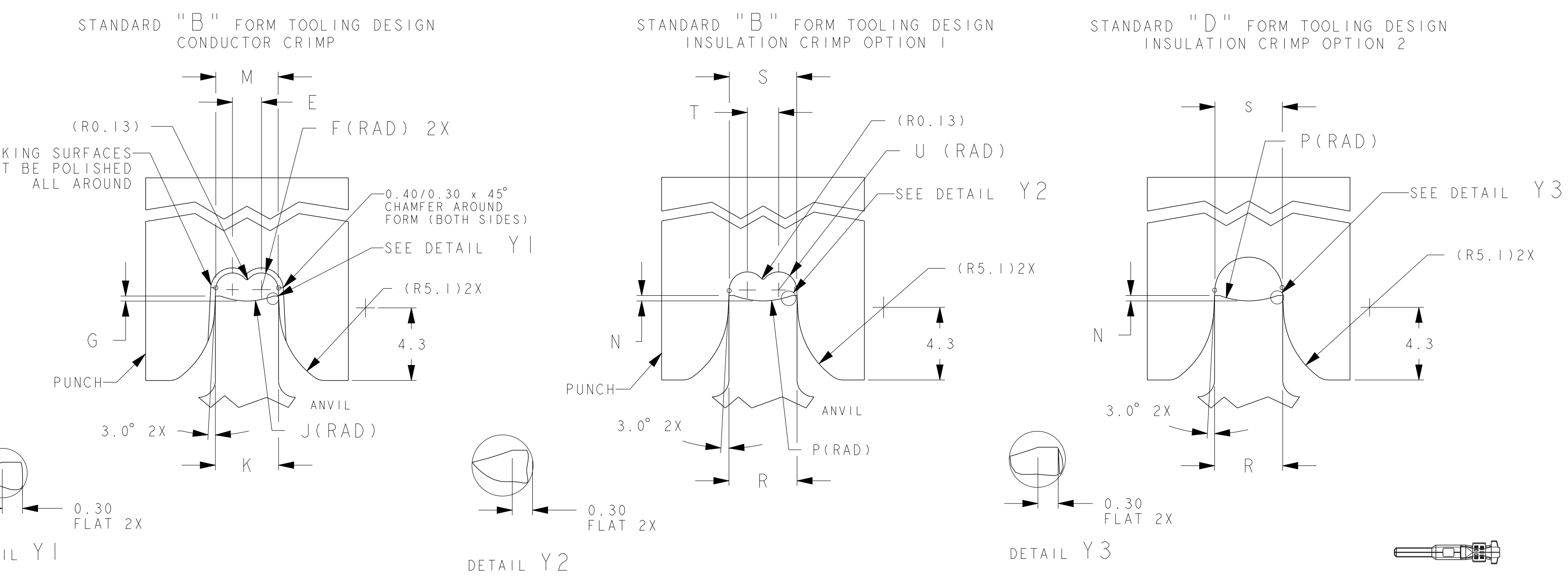
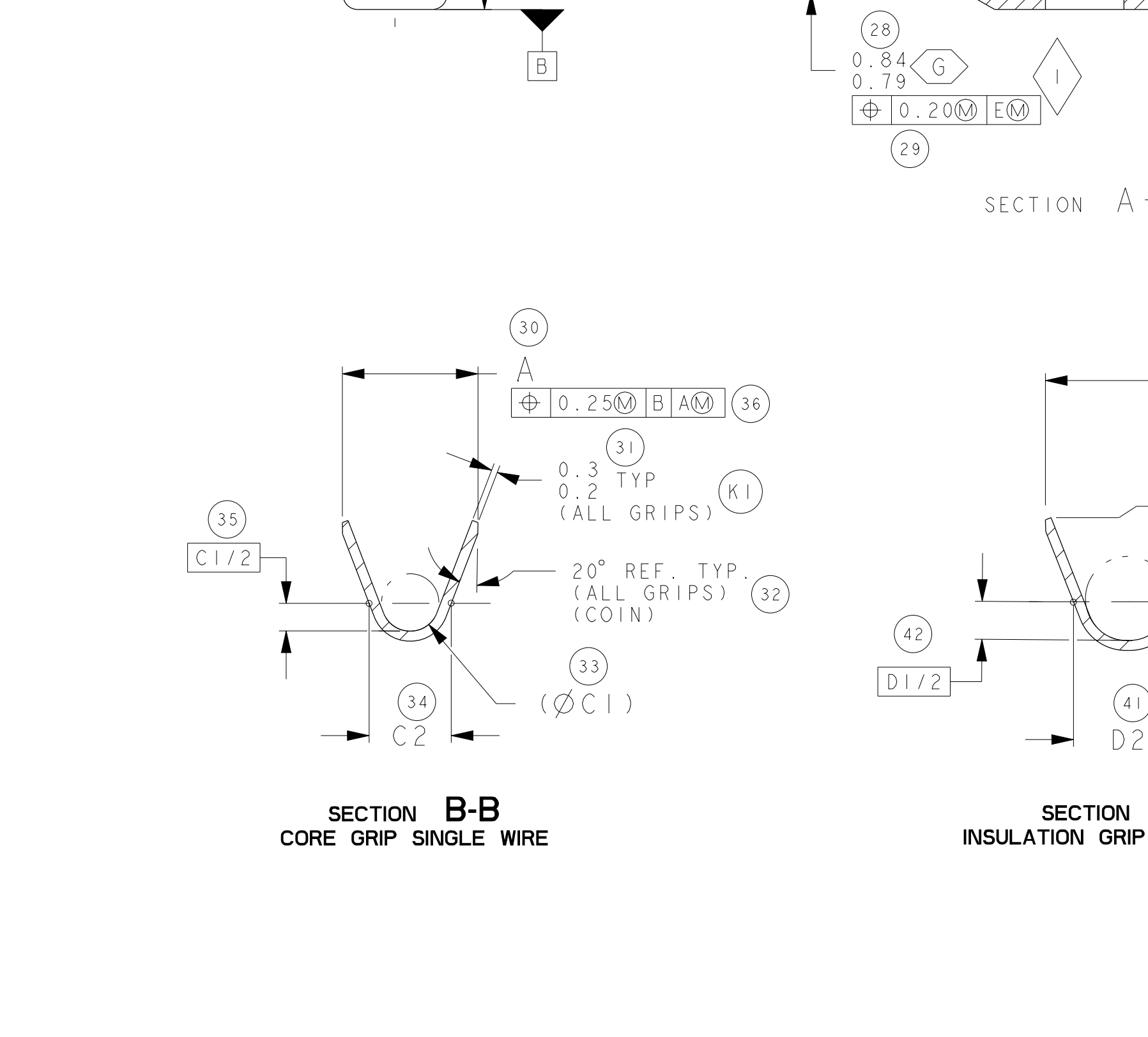
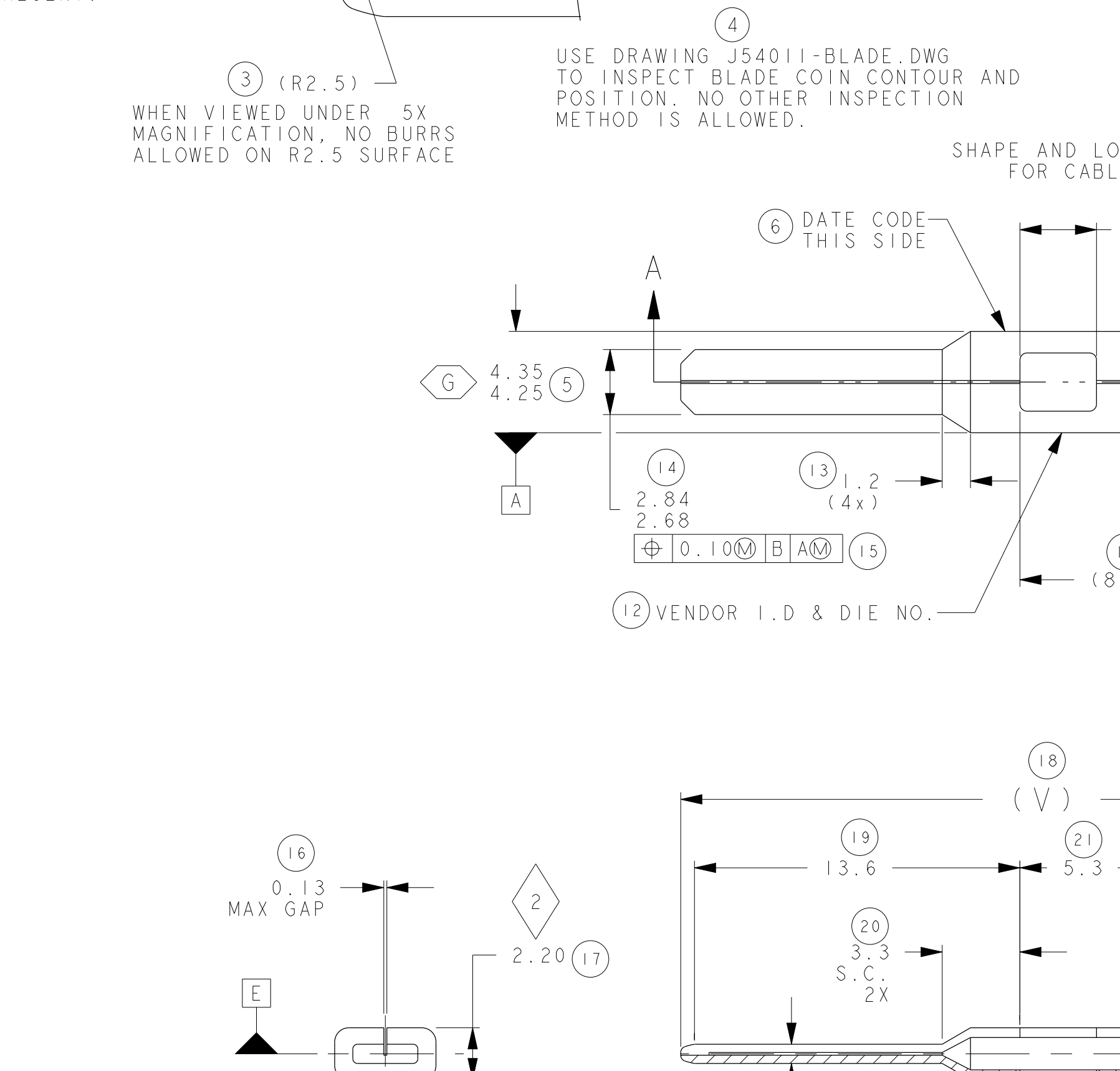
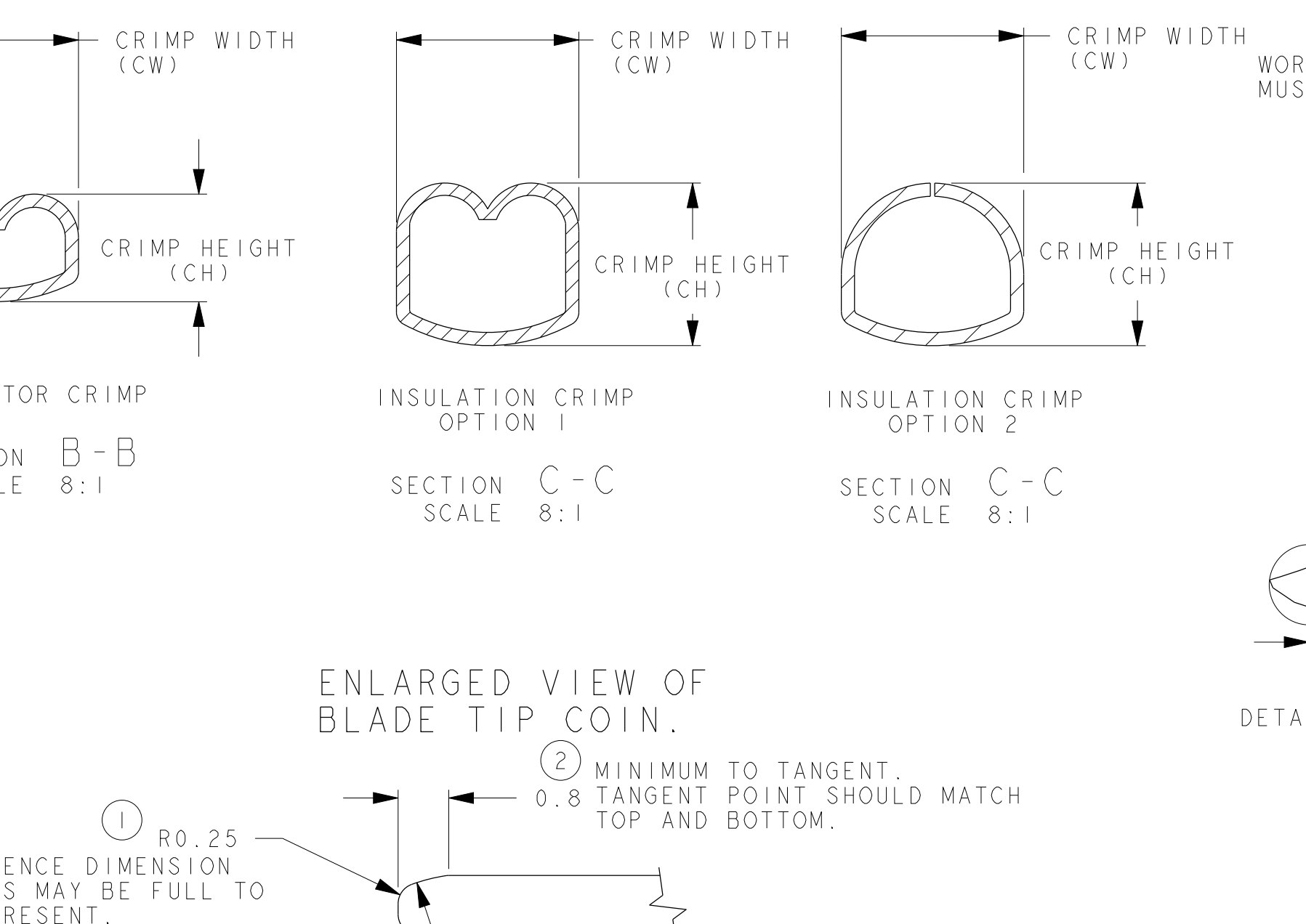
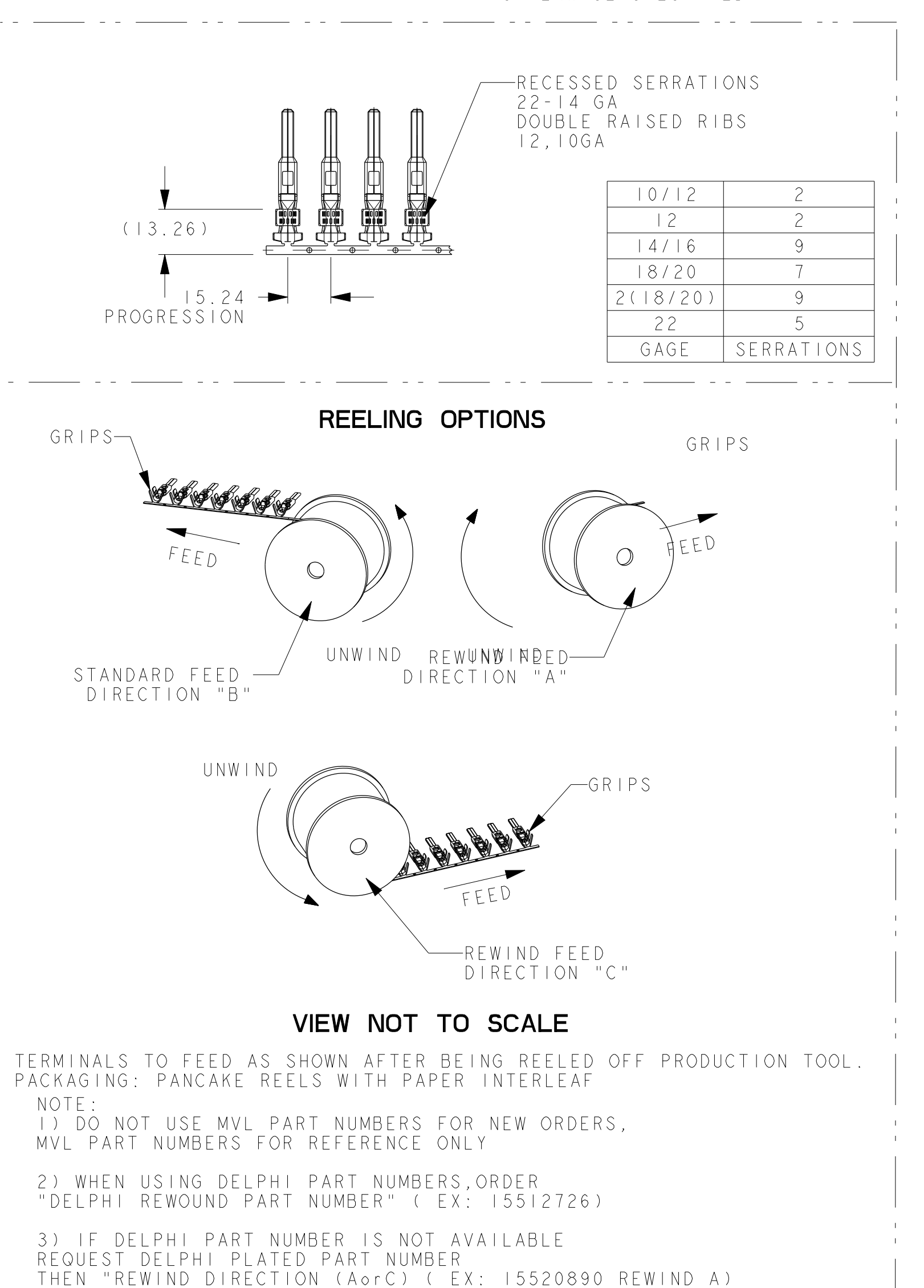
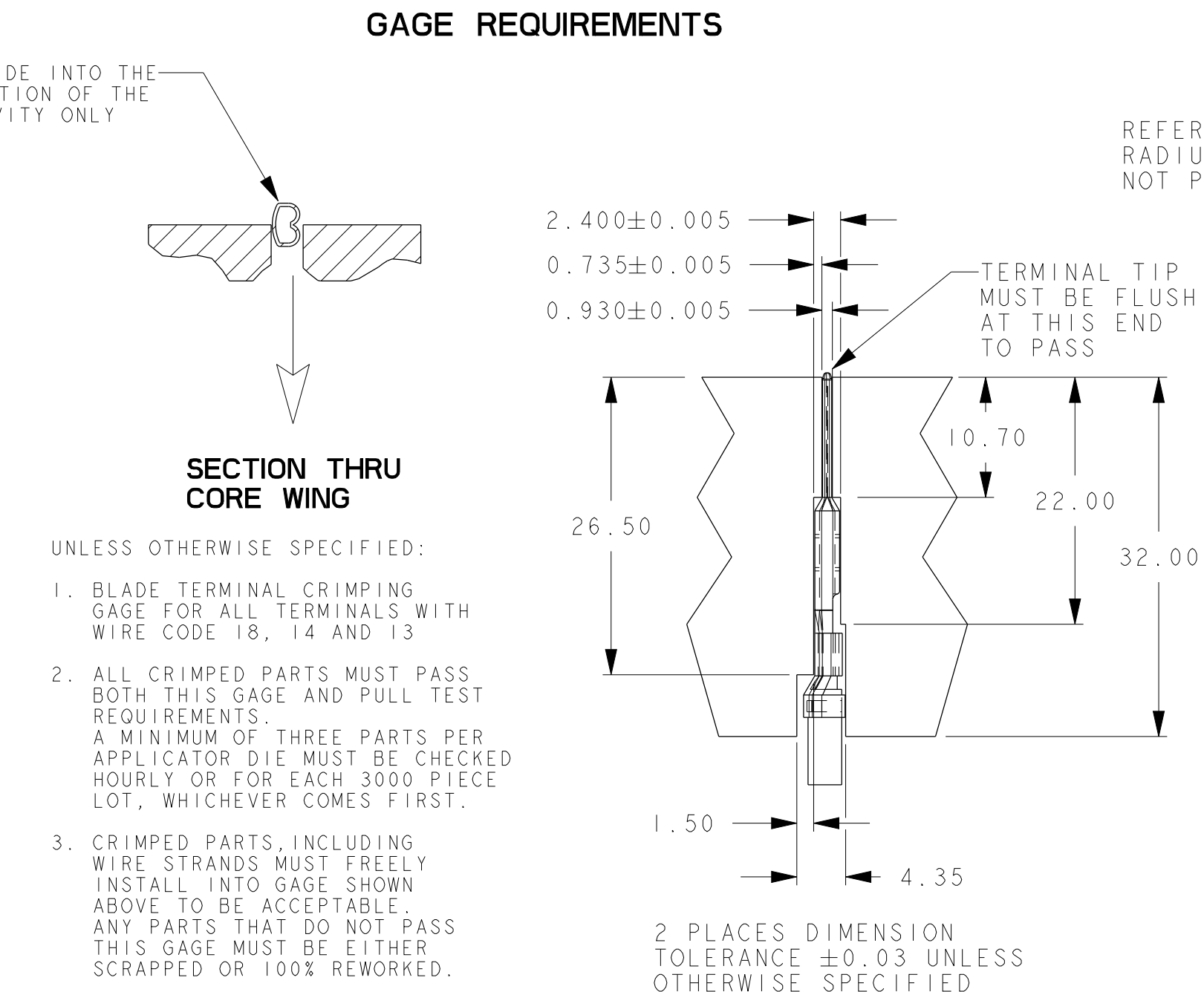
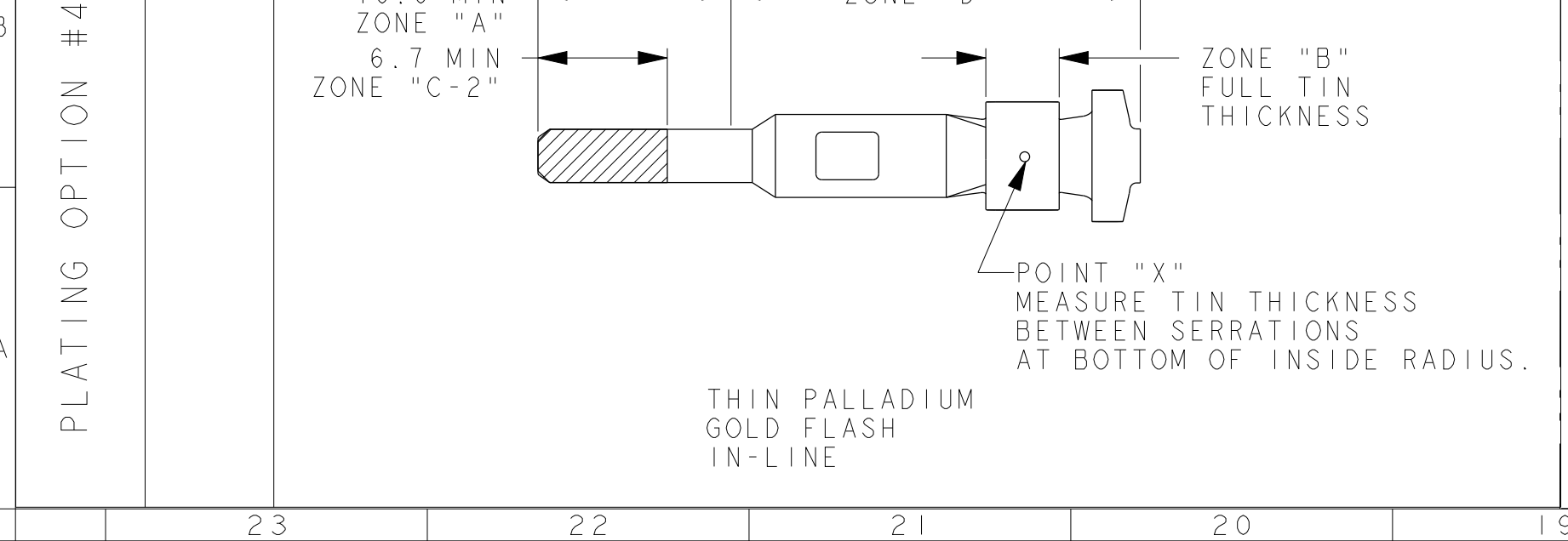
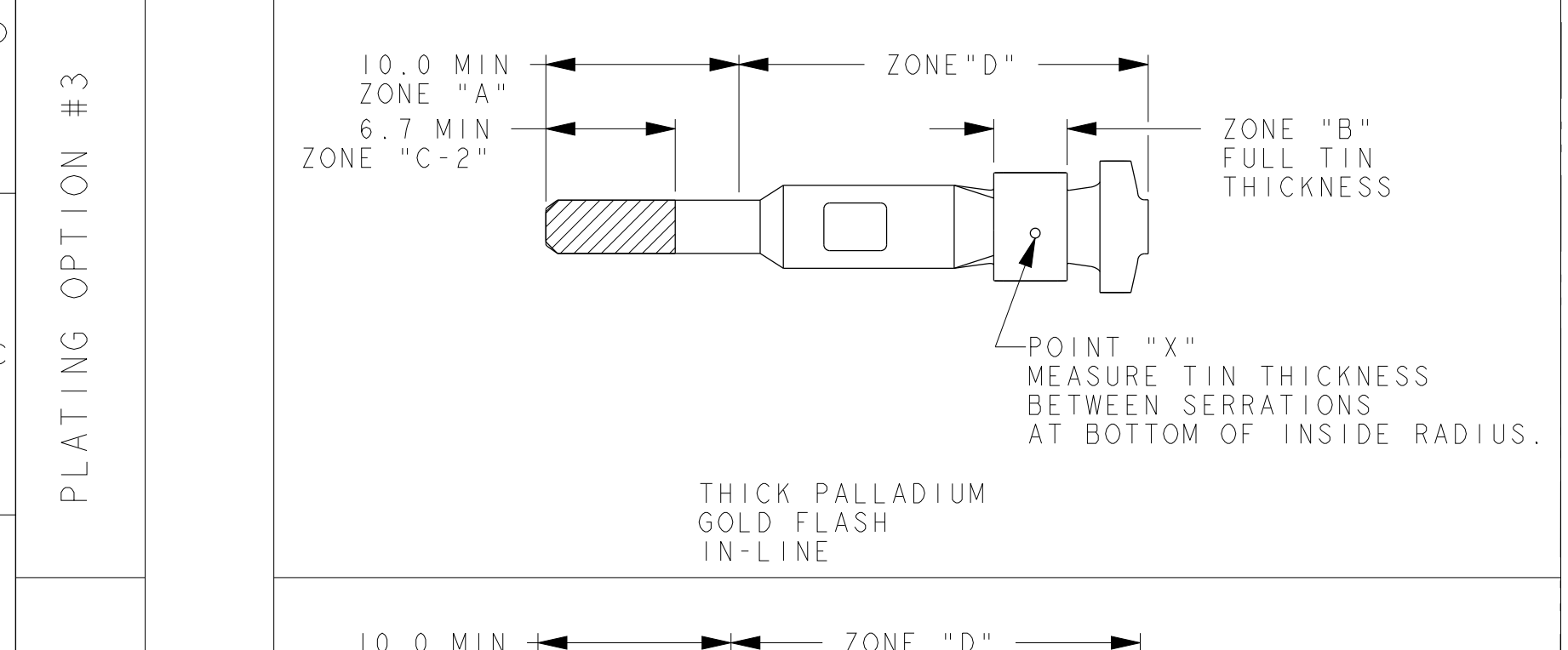
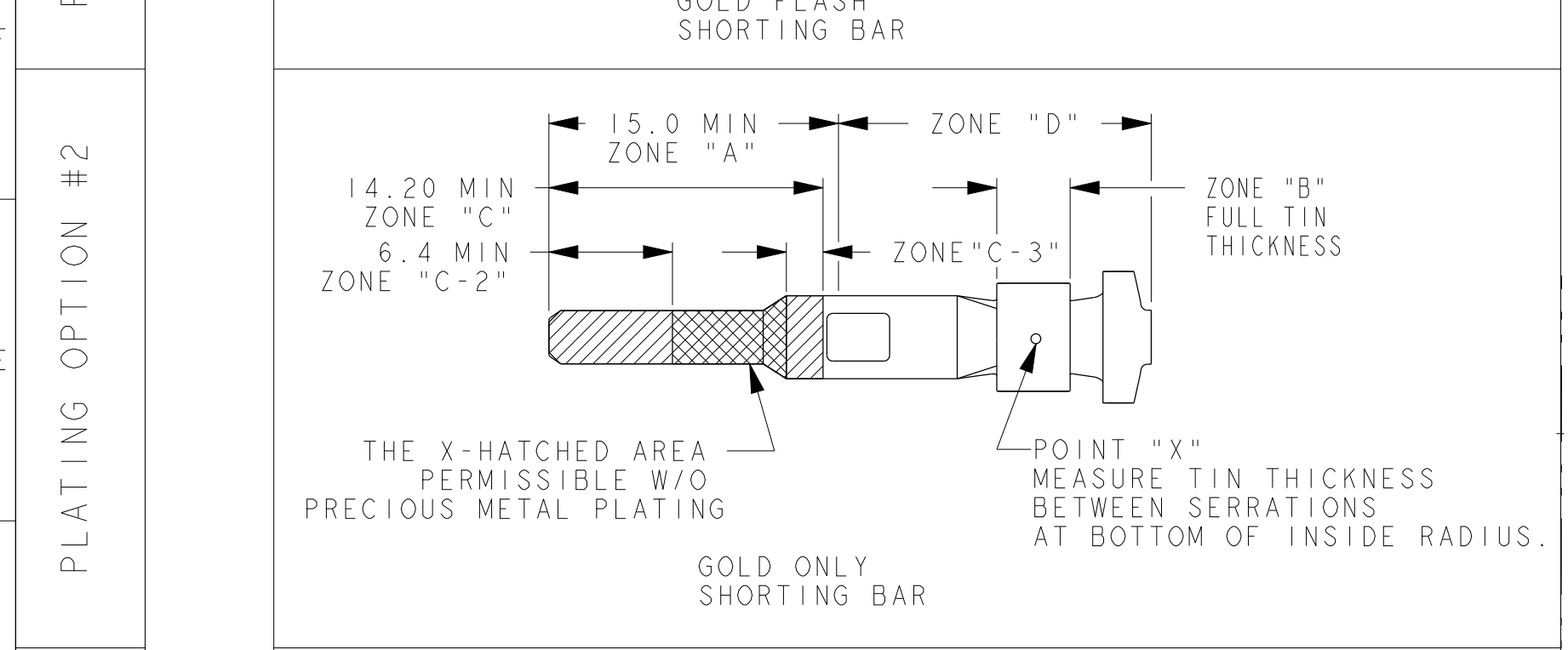
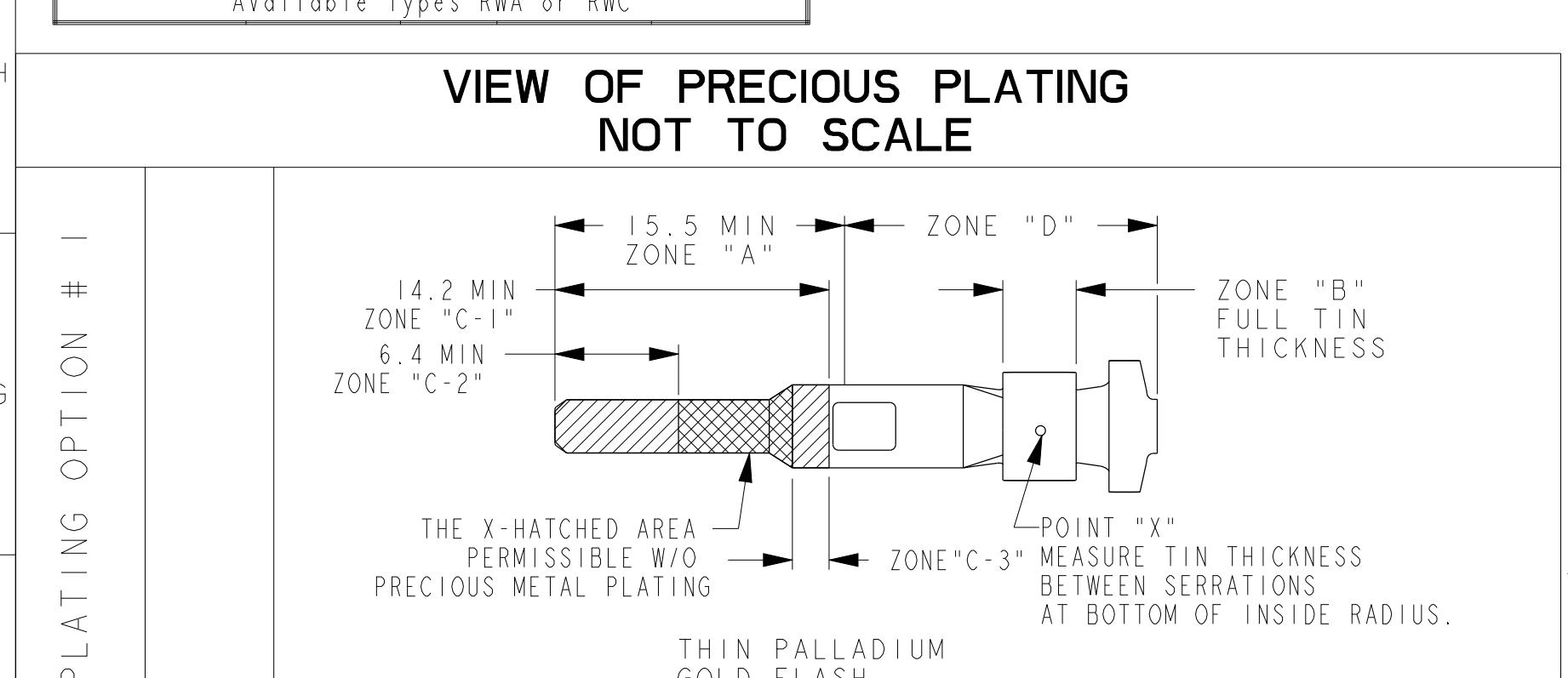


Table with columns for material part numbers, wire size, insulation, and various specifications. Includes rows for part numbers like 54001027, 5400120, 54001001, 54001020, 54001001, 54001021, 54001022, 54001023, 54001024, 54001025, 54001026, 54001027, 54001028, 54001029, 54001030, 54001031, 54001032, 54001033, 54001034, 54001035, 54001036, 54001037, 54001038, 54001039, 54001040, 54001041, 54001042, 54001043, 54001044, 54001045, 54001046, 54001047, 54001048, 54001049, 54001050, 54001051, 54001052, 54001053, 54001054, 54001055, 54001056, 54001057, 54001058, 54001059, 54001060, 54001061, 54001062, 54001063, 54001064, 54001065, 54001066, 54001067, 54001068, 54001069, 54001070, 54001071, 54001072, 54001073, 54001074, 54001075, 54001076, 54001077, 54001078, 54001079, 54001080, 54001081, 54001082, 54001083, 54001084, 54001085, 54001086, 54001087, 54001088, 54001089, 54001090, 54001091, 54001092, 54001093, 54001094, 54001095, 54001096, 54001097, 54001098, 54001099, 54001100, 54001101, 54001102, 54001103, 54001104, 54001105, 54001106, 54001107, 54001108, 54001109, 54001110, 54001111, 54001112, 54001113, 54001114, 54001115, 54001116, 54001117, 54001118, 54001119, 54001120, 54001121, 54001122, 54001123, 54001124, 54001125, 54001126, 54001127, 54001128, 54001129, 54001130, 54001131, 54001132, 54001133, 54001134, 54001135, 54001136, 54001137, 54001138, 54001139, 54001140, 54001141, 54001142, 54001143, 54001144, 54001145, 54001146, 54001147, 54001148, 54001149, 54001150, 54001151, 54001152, 54001153, 54001154, 54001155, 54001156, 54001157, 54001158, 54001159, 54001160, 54001161, 54001162, 54001163, 54001164, 54001165, 54001166, 54001167, 54001168, 54001169, 54001170, 54001171, 54001172, 54001173, 54001174, 54001175, 54001176, 54001177, 54001178, 54001179, 54001180, 54001181, 54001182, 54001183, 54001184, 54001185, 54001186, 54001187, 54001188, 54001189, 54001190, 54001191, 54001192, 54001193, 54001194, 54001195, 54001196, 54001197, 54001198, 54001199, 54001200.

Table with columns for material type, plating, zone, and various specifications. Includes rows for material types like Sulfimate Ductile Nickel, Electro Matt Tin Plate, C-1, C-3 Plate with Hard Gold Cap Over Pure Palladium, Electro Matt Tin Plate.

Table with columns for MVL part number, Delphi part number, and various specifications. Includes rows for part numbers like 54001001, 54001002, 54001003, 54001004, 54001005, 54001006, 54001007, 54001008, 54001009, 54001010, 54001011, 54001012, 54001013, 54001014, 54001015, 54001016, 54001017, 54001018, 54001019, 54001020, 54001021, 54001022, 54001023, 54001024, 54001025, 54001026, 54001027, 54001028, 54001029, 54001030, 54001031, 54001032, 54001033, 54001034, 54001035, 54001036, 54001037, 54001038, 54001039, 54001040, 54001041, 54001042, 54001043, 54001044, 54001045, 54001046, 54001047, 54001048, 54001049, 54001050, 54001051, 54001052, 54001053, 54001054, 54001055, 54001056, 54001057, 54001058, 54001059, 54001060, 54001061, 54001062, 54001063, 54001064, 54001065, 54001066, 54001067, 54001068, 54001069, 54001070, 54001071, 54001072, 54001073, 54001074, 54001075, 54001076, 54001077, 54001078, 54001079, 54001080, 54001081, 54001082, 54001083, 54001084, 54001085, 54001086, 54001087, 54001088, 54001089, 54001090, 54001091, 54001092, 54001093, 54001094, 54001095, 54001096, 54001097, 54001098, 54001099, 54001100.



CRIMP TOOL INFORMATION (REF. ONLY)

- Materials:
1) MATERIAL TYPE 1: COPPER ALLOY PRE PLATED, SEE PLATING CHART FOR INFORMATION
2) MATERIAL TYPE 2: COPPER ALLOY BARE MATERIAL, POST PLATED, SEE PLATING CHART FOR INFORMATION
3) MATERIAL TYPE 3: COPPER ALLOY PRE PLATED, SEE PLATING CHART FOR INFORMATION
Notes:
1) CONFORMS TO ALL APPLICABLE SECTIONS OF SAE/USCAR-2 REV. 3 EXCEPT TERMINAL BEND RESISTANCE SECTION 5.2 SAE/USCAR-12 REV 2 SAE/USCAR-21 FORD SDS VER 11
2) TERMINAL SYMMETRICAL ABOUT CENTERLINE EXCEPT AS SHOWN.
3) DIMENSIONAL TOLERANCE: 1) PLACE ±0.25 2) PLACE ±0.10 ANGULAR ±3°
4) FOR CAVITY SPECIFICATION INFORMATION REFERENCE F.C.I. DRAWING 15007 FOR UNSEALED CAVITY AND F.C.I. DRAWING C15006 FOR SEALED CAVITY
5) SEE USCAR DRAWING EWCA-001 FOR DIRECT CONNECT MATING BLADE INFORMATION
6) QUALITY ASSURANCE REQUIREMENTS PER USCAR REQUIREMENTS. (2)
7) INDICATES IN-PROCESS INSPECTION FOR MANUFACTURING DIMENSIONS OR SPECIFICATIONS. (3)
8) INDICATES IN-PROCESS GAGE INSPECTION FOR MANUFACTURING DIMENSIONS. (2)
9) ONLY BALLOON DIMENSIONS AND NOTES ARE REQUIRED TO BE MEASURED AT PPAP. ALL OTHER DIMENSIONS AND NOTES WITHOUT BALLOONS SHOULD BE TREATED AS INFORMATIONAL.
10) LAST BALLOON NUMBER: 77
Crimp Notes:
1. THE CRIMP AND CRIMP TOOLING DIMENSIONS HAVE BEEN ESTABLISHED AND VALIDATED TO USCAR-21 USING FCI TOOLS, MACHINES, AND PROCESSES. THE DIMENSIONS SHOWN ARE FOR REFERENCE.
2. WIRING SUPPLIERS ARE TO DEVELOP AND VALID THEIR CRIMPING SPECIFICATIONS AND PROCESSES ACCORDING TO ALL ASPECTS OF USCAR-21 REV. 2. NOTE THAT AS STATED IN USCAR-21, WIRING SUPPLIER DEFINED CRIMPING SPECIFICATIONS AND CRIMPING PROCESSES MAY IMPACT CONNECTOR FUNCTIONS. (SEE USCAR-21 REV. 2.4.2.5.1); CONTACT DELPHI ENGINEERING FOR ANY NEEDED ASSISTANCE IN THIS REGARD.
3. DESIGN REFERENCE INFORMATION: IT IS RECOMMENDED THAT THE NOTED NOMINAL OFFSET BETWEEN THE CONDUCTOR GRIP AND INSULATION GRIP NOT BE CHANGED BY THE CRIMPING PROCESS. RESIZING THIS FEATURE DURING CRIMPING CAN NEGATIVELY IMPACT CONNECTOR SYSTEM FUNCTION. ACCEPTABILITY OF THE ACTUAL NOTED CRIMPED OFFSET, CRIMPING SPECIFICATION, AND CRIMPING PROCESS USING IS TO BE DETERMINED AS DEFINED IN CRIMP NOTE 2.
4. DESIGN REFERENCE INFORMATION: CRIMPED TERMINALS ARE USED ON VARIOUS CONNECTOR APPLICATIONS. NORMALLY, FOR DESIGN PURPOSES, A CONDUCTOR AND INSULATION CRIMP ANGLE TOLERANCE OF +/- 3 DEGREES RELATIVE TO TERMINAL DATUM "B" CAN BE ASSUMED. ACTUAL CRIMP TOLERANCES DEFINED WITHIN A HARNESS MAKER'S CRIMPING PROCESS FOR A SPECIFIC CONNECTOR APPLICATION MUST BE VERIFIED AS SUITABLE BY FULL VALIDATION TO ALL ASPECTS OF USCAR-21 INCLUDING SECTION 4.2.5.

Table with columns for part number, revision, and change description. Includes rows for part numbers like 13-00039, EC0421054, and a change description: DELPHI PART NUMBERS ADDED REVISED AND REBAR IN PDS.

Mouser Electronics

Authorized Distributor

Click to View Pricing, Inventory, Delivery & Lifecycle Information:

[Aptiv:](#)

[10762775](#) [10762776](#) [15513652](#) [15512726](#) [15512725](#) [15516294](#) [15522351](#) [10762774](#) [15512733](#) [15520918](#)
[15512734](#) [15516294-L](#) [15512734-L](#)